



Wanders fires & stoves | 2022

wanders.com



**wanders**  
fires & stoves

# Index

## 04 - 21 Wood

- 04 - 05 Mata
- 06 - 07 Black Pearl / Black Diamond
- 08 - 09 WAN 2060 / 2068 / 2075 front
- 10 WAN 2060 / 2068 / 2075 Black Edition
- 11 S 68 / 75 front
- 12 - 13 S 60 / 75 corner
- 14 Square 60 / 68 trilateral
- 15 Square 75 tunnel / Jules
- 16 - 17 Elm
- 18 - 19 Oak
- 20 - 21 Pecan eco

## 24 - 45 Gas

- 24 - 25 Lenga 500
- 26 - 27 Lenga 800
- 28 - 29 Koto
- 30 - 31 Douglas
- 32 - 33 Danta 500 / 800
- 34 - 35 Danta 1100 / 1400
- 36 - 37 Balsa
- 38 - 39 Tali
- 40 - 41 ONYX
- 42 Larix
- 43 Square 40
- 44 - 45 Square 60G







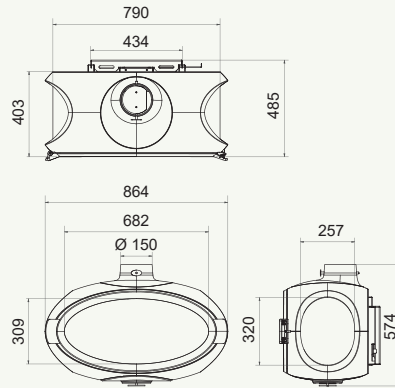
# WOOD



**wanders**  
fires & stoves

# Mata

Mata



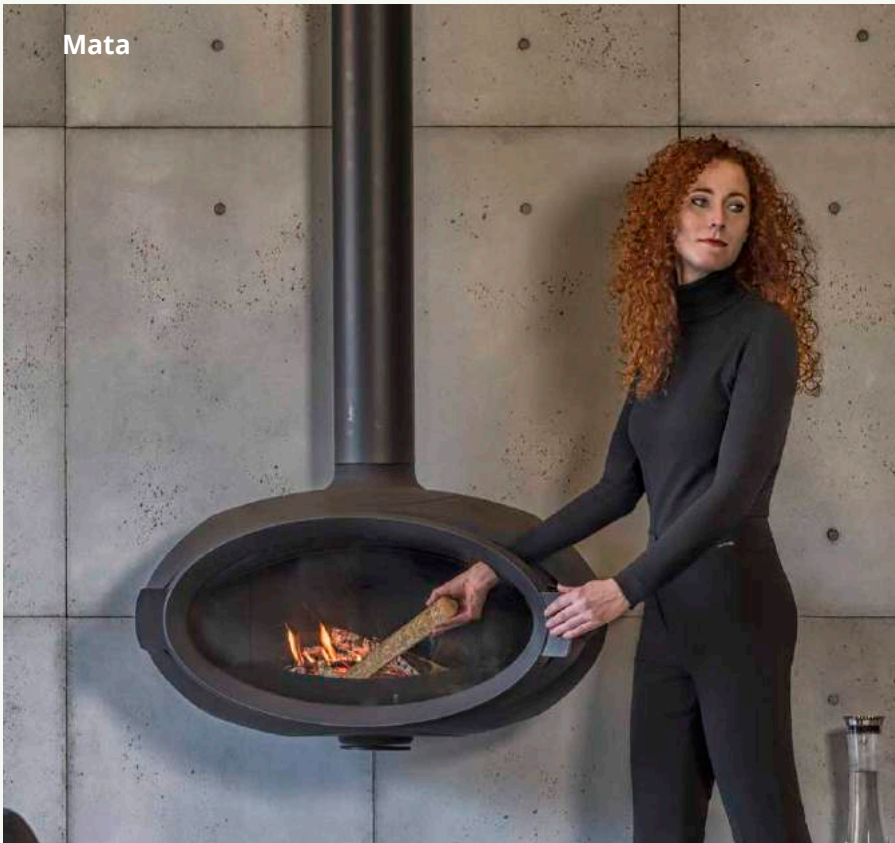
Mata



Mata

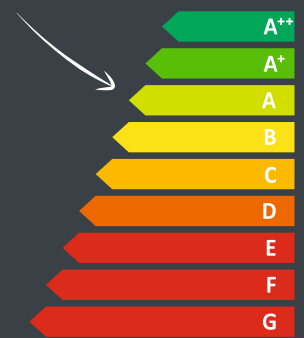


Mata



Black | 5-8 kW

Ø 150    % 76    [Icon]    [Icon]    B<sup>2</sup>

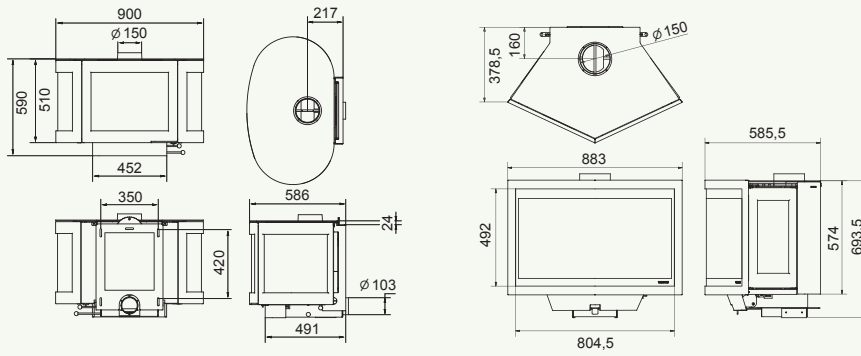


wanders  
fires & stoves

# Black Pearl / Black Diamond

Black Pearl

Black Diamond



Black Pearl



Black Diamond



Black Pearl



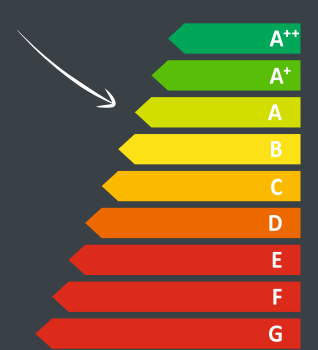
Black Diamond



Black Pearl: Black | 8-10 kW



Black Diamond: Black | 8-10 kW



wanders  
fires & stoves

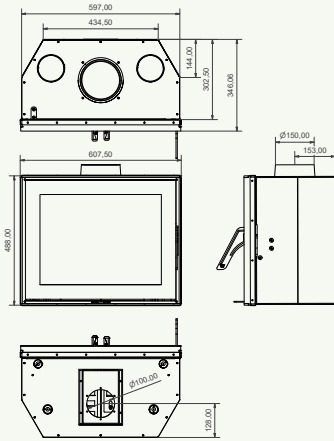


# WAN 2060 /2068\*/ / 2075\*

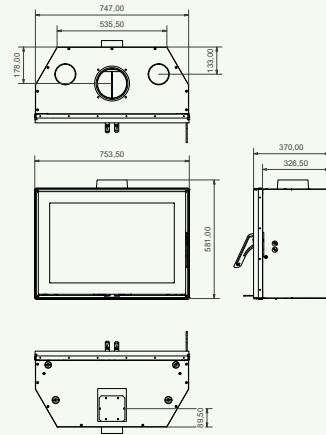
## front

\* in development

WAN 2060 front



WAN 2075 front



WAN 2060 front



WAN 2075 front



WAN 2060 with 4-sided frame



Door handle WAN



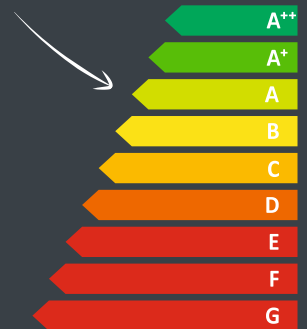
WAN 2060 front: Black | 5-7 kW



WAN 2068 front: Black | 8-10 kW



WAN 2075 front: Black | 7-9 kW



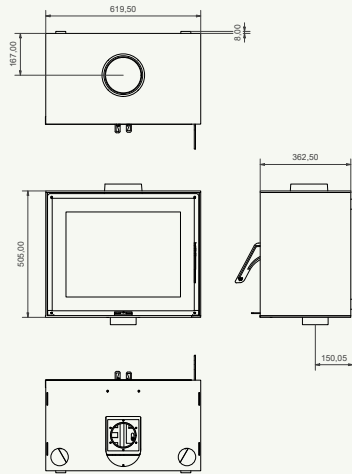
wanders  
fires & stoves

# WAN 2060 /2068\*/ 2075\*

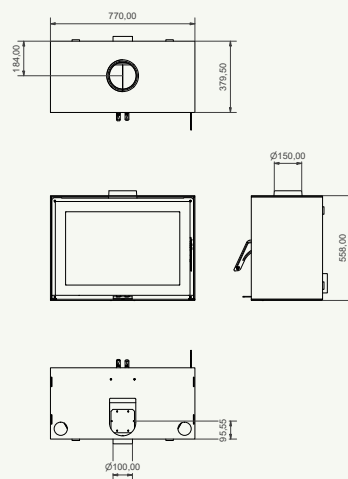
## Black Edition

\* in development

WAN 2060 Black Edition



WAN 2075 Black Edition



WAN 2060 Black Edition



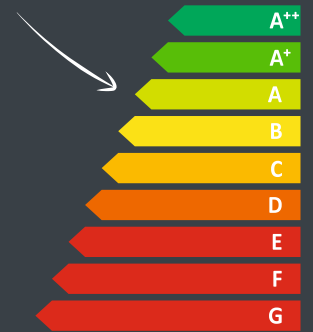
WAN 2060 Black Edition: | 5-7 kW



WAN 2068 Black Edition: | 8-10 kW



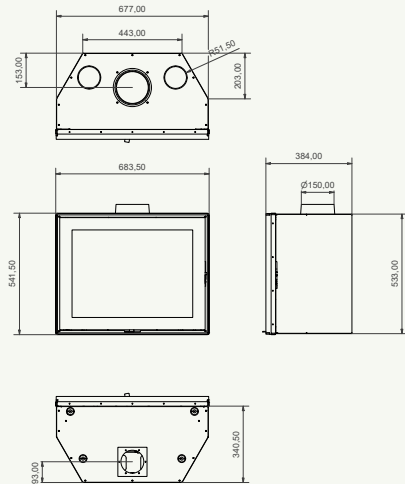
WAN 2075 Black Edition: | 7-9 kW



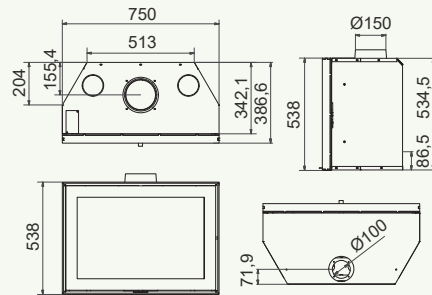
wanders  
fires & stoves

# S 68 / 75 front

S 68 front



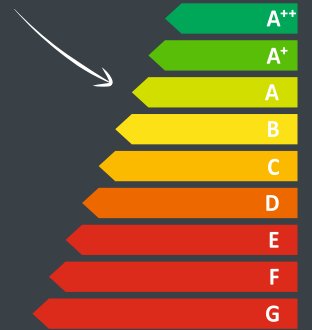
S 75 front



S68 front: Black | 6-8 kW



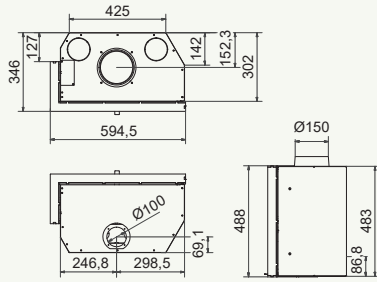
S75 front: Black | 8-10 kW



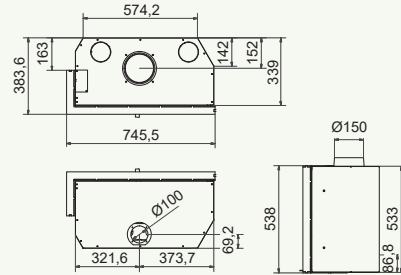
**wanders**  
fires & stoves

# S 60 / 75 corner

S 60 corner



S 75 corner



S 60 corner



S 75 corner



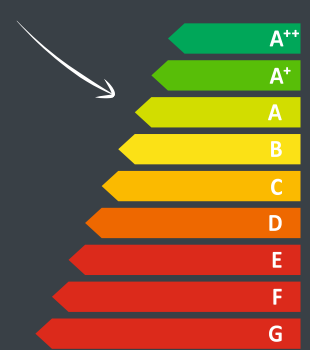
S 75 corner



S60 corner: Black | 5-7 kW



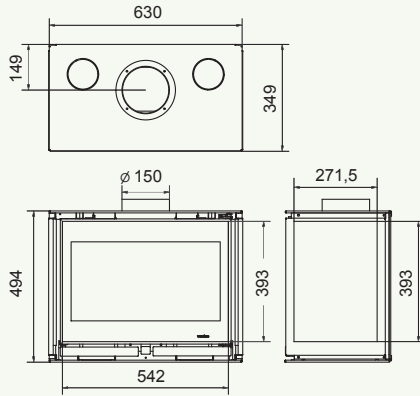
S75 corner: Black | 8-10 kW



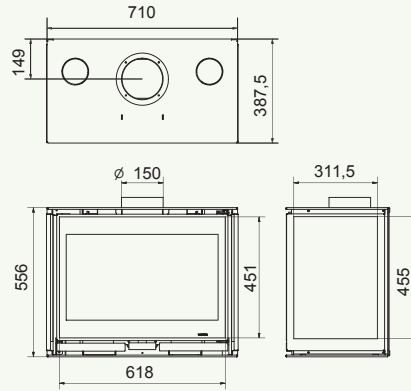
wanders  
fires & stoves

# Square 60 / 68 trilateral

Square 60 trilateral



Square 68 trilateral



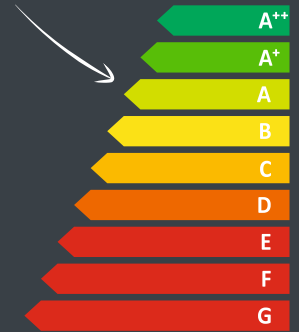
Square 60 trilateral



Square 60 trilateral Black | 5-7 kW



Square 68 trilateral Black | 7-9 kW

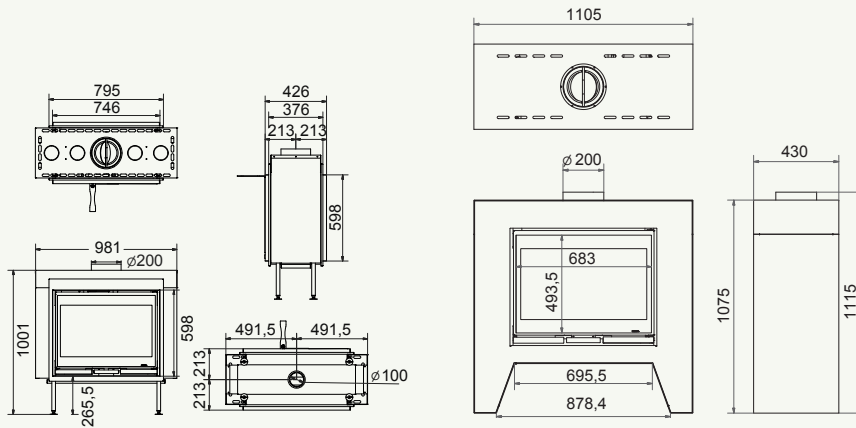


wanders  
fires & stoves

# Square 75 tunnel / Jules

Square 75 tunnel

Jules



Square 75 tunnel



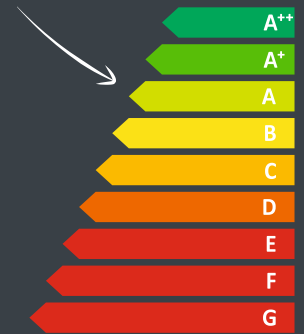
Jules



Square 75 tunnel: Black | 10-12 kW



Jules: Black | 10-12 kW

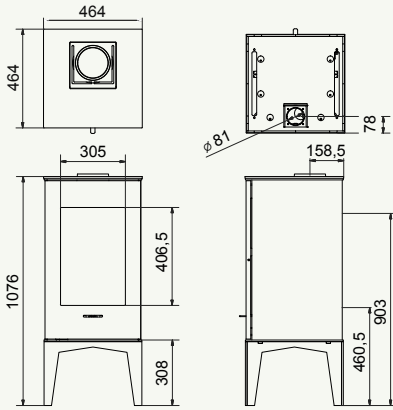


wanders  
fires & stoves

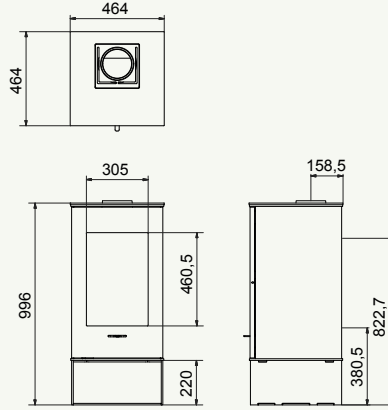


# Elm

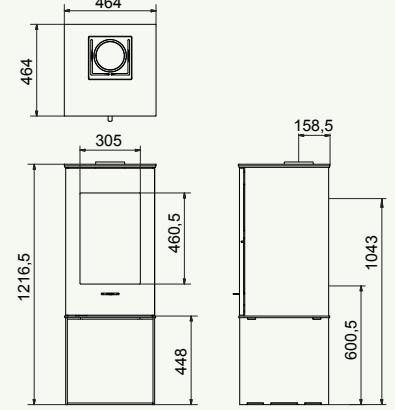
Elm original



Elm base M



Elm base L



Elm original



Elm M



Elm L



Elm L

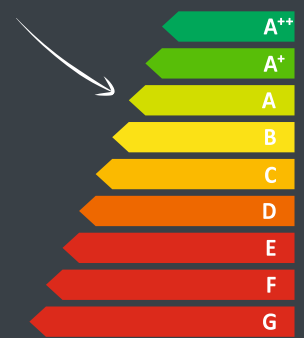


Elm L



Elm: Black | 5-7 kW

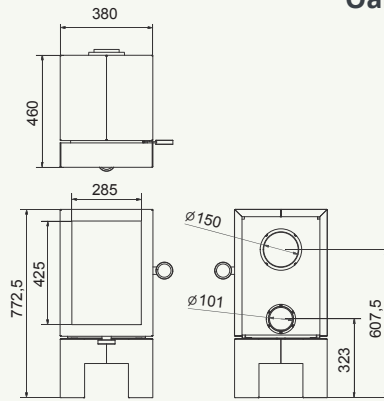
Ø 150    % 77,0    →    🔌    🔌    B<sup>2</sup>



wanders  
fires & stoves

# Oak

Oak



Oak Concrete Grey





Black | 4-6 kW

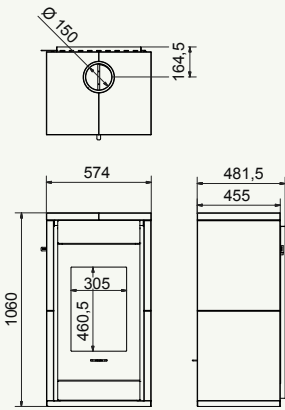
Ø 150 % 81,0 → [Icon] B<sup>2</sup>

A vertical energy efficiency scale with nine horizontal bars of varying colors, ranging from green at the top to red at the bottom. The bars are labeled A++, A+, A, B, C, D, E, F, and G from top to bottom. A white arrow points to the A++ bar.

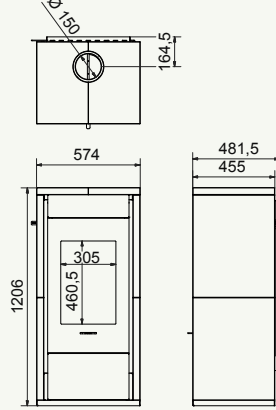
**W** wanders  
fires & stoves

# Pecan eco

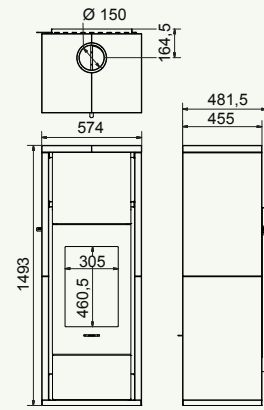
Pecan eco S



Pecan eco M



Pecan eco L



Pecan eco M



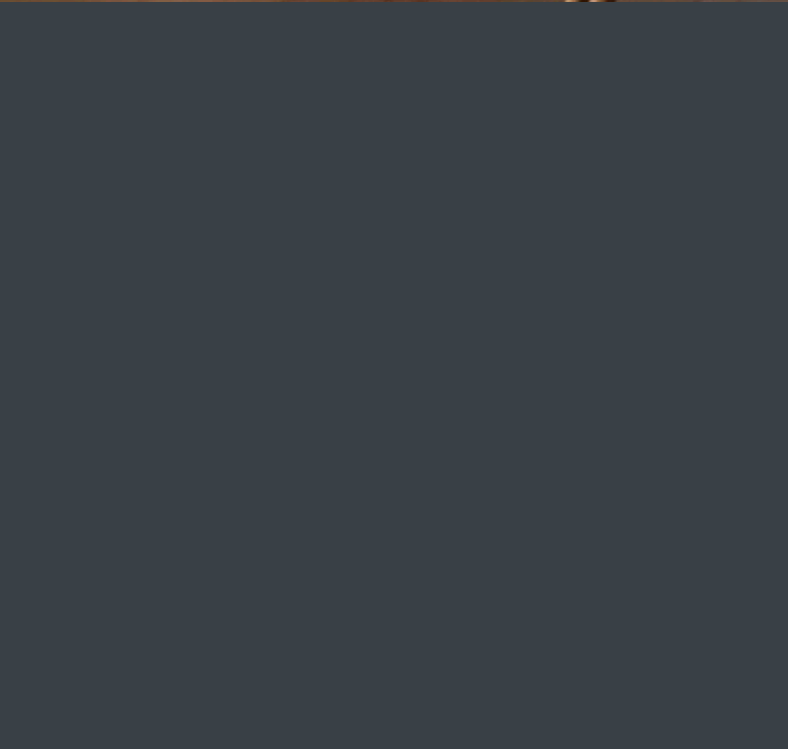


Black | 5-8 kW

Ø 150    % 82,0    →    🔌    B<sup>2</sup>

A vertical energy efficiency scale with seven horizontal bars of increasing length and changing color from green at the top to red at the bottom. The bars are labeled A++, A+, A, B, C, D, E, F, G from top to bottom. An arrow points to the A+ bar.

**wanders**  
fires & stoves





# GAS

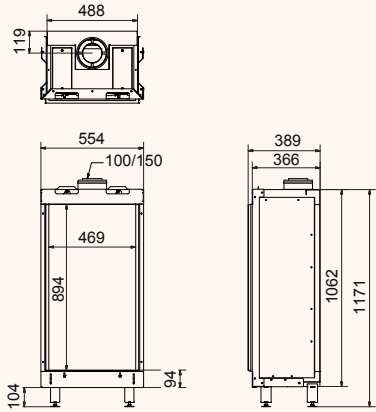


**wanders**  
fires & stoves

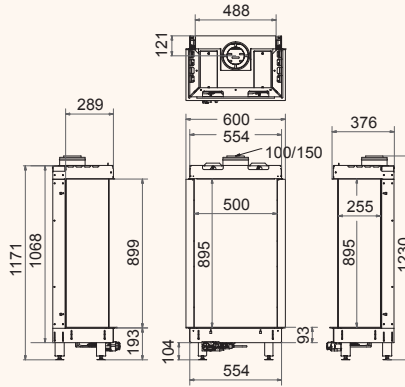


# Lenga 500

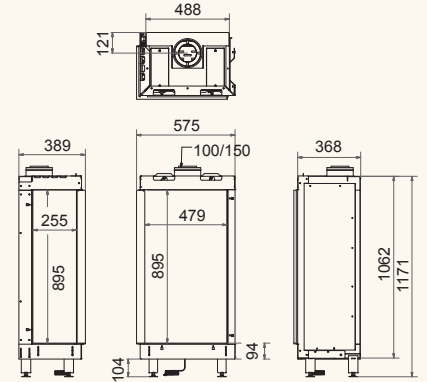
Lenga 500 A



Lenga 500 ABE



Lenga 500 AB/AE



Lenga 500 A



Lenga 500 AB



Lenga 500 ABE



Lenga 500 ABE



Black | In: 9,3 kW

100/150	89,8%	🔌	🔥	🔥
🔥	🔒	📶	🕒	☀️

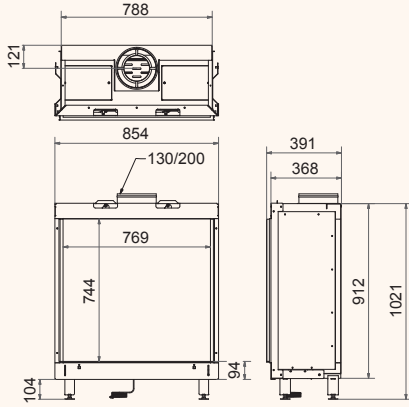
**ECO**

A++
A+
A
B
C
D
E
F
G

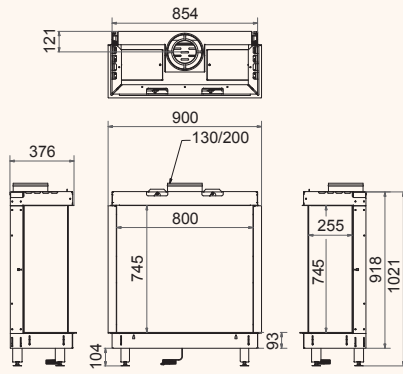
**wanders**  
fires & stoves

# Lenga 800

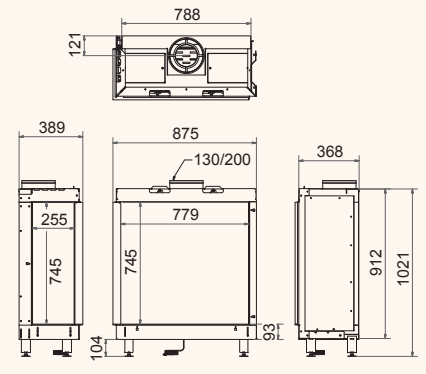
Lenga 800 A



Lenga 800 ABE

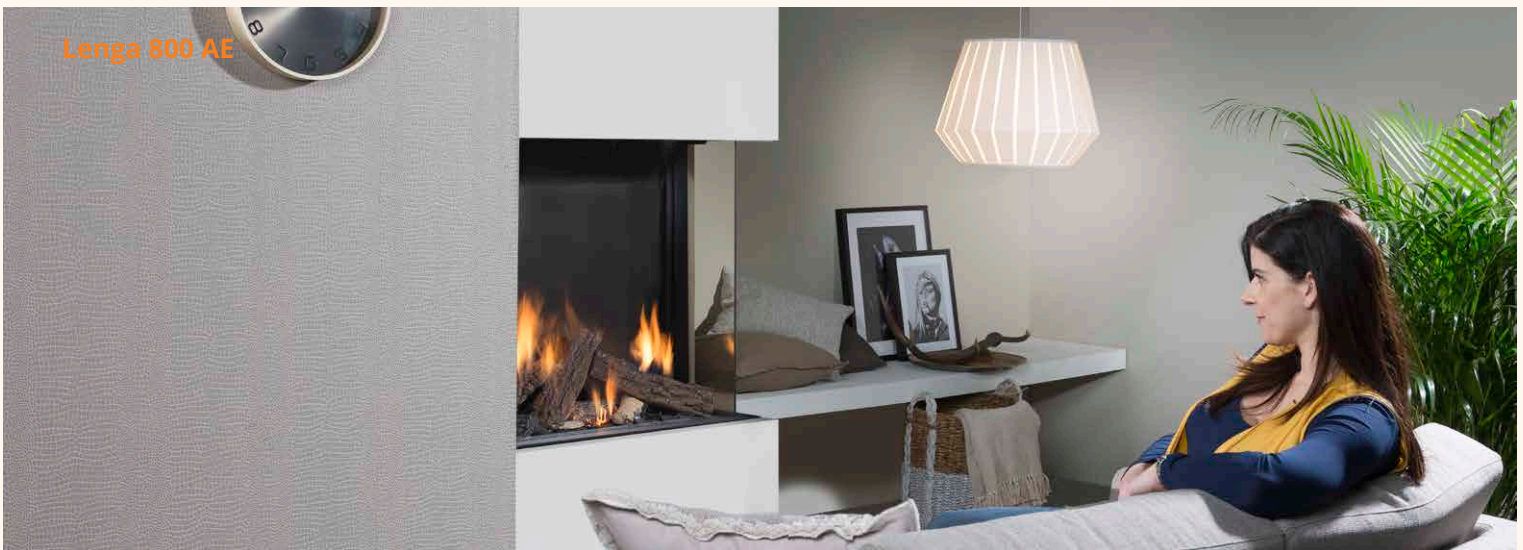


Lenga 800 AB/AE



Lenga 800 A



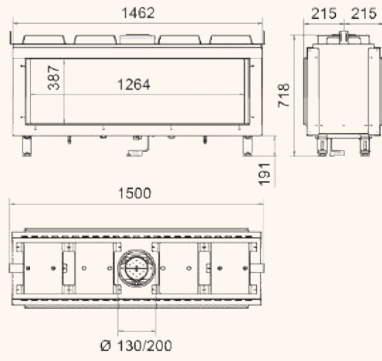


Black | In: 12,3 kW

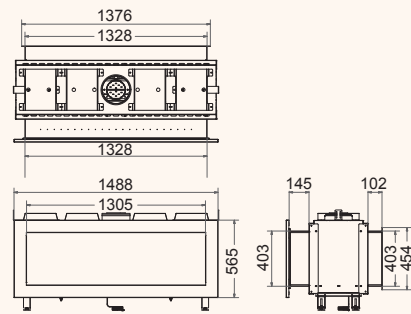

**wanders**  
fires & stoves

# Koto

Koto

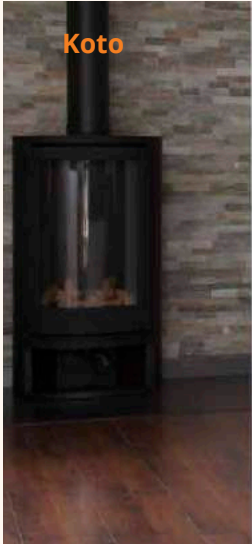


Koto inside/outside



Koto





Koto



Koto inside/outside



Koto

Black | In: 11,7 kW

- P
- 130/200
- 87,5%
- Smartphone icon
- Flame icon
- Flame icon
- Flame icon
- Lock icon
- Wi-Fi icon
- Thermometer icon
- Sun icon

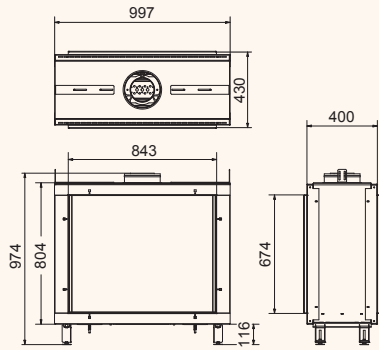
**ECO**

A++  
A+  
A  
B  
C  
D  
E  
F  
G

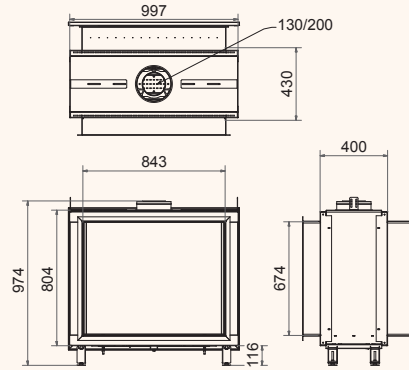
**wanders**  
fires & stoves

# Douglas

Douglas



Douglas inside/outside



Douglas



Douglas



Douglas



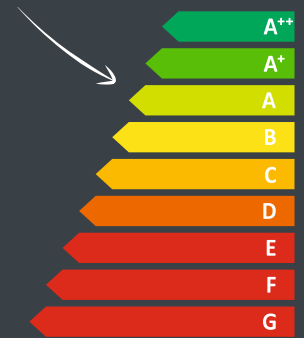
Douglas



Black | In: 10,0 kW



ECO

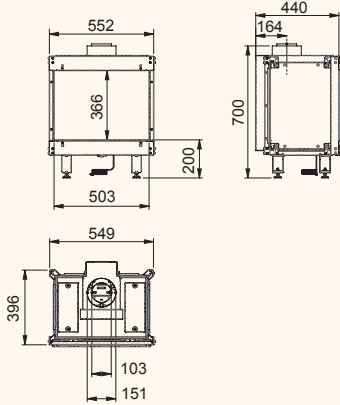


wanders  
fires & stoves

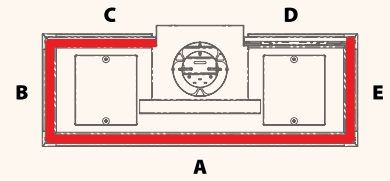
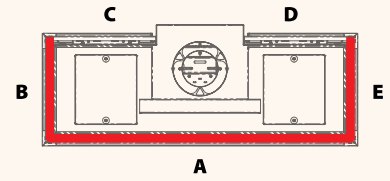
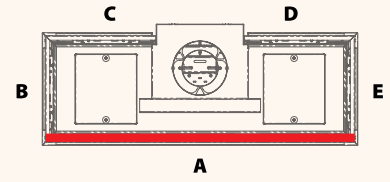
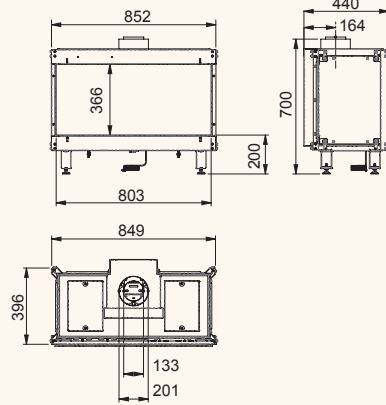


# Danta 500 / 800

Danta 500



Danta 800



Danta 500 ABCDE



Danta 800 AE



Danta 800 ABCDE



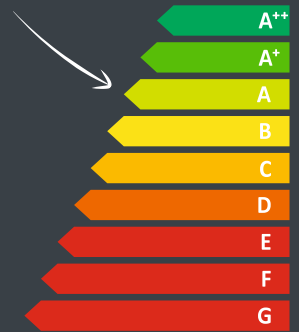
Danta 500 AB



Danta 500: Black | In: 6,8 kW



Danta 800: Black | In: 9,0 kW

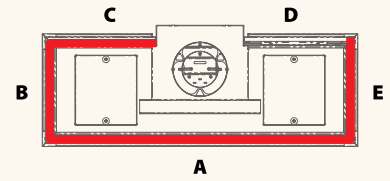
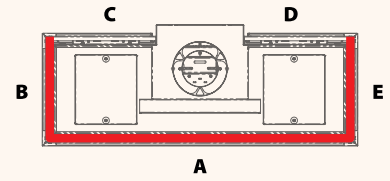
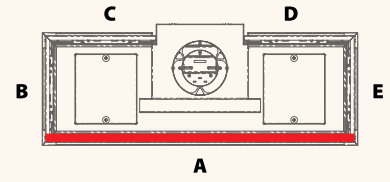
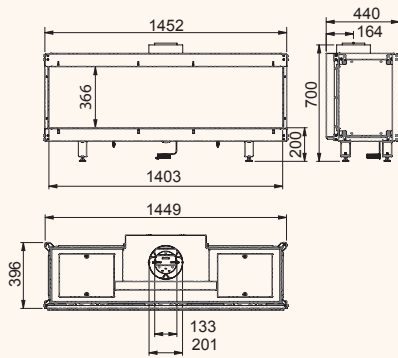
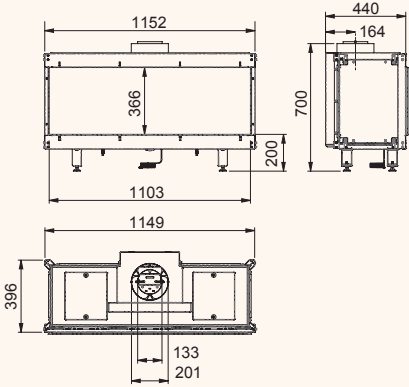


wanders  
fires & stoves

# Danta 1100 / 1400

Danta 1100

Danta 1400



Danta 1100 ABE





Danta 1100 ABDE



Danta 1400 ABCDE



Danta 1400 ABCDE

Danta 1100: Black | In: 11,7 kW

**ECO**

Danta 1400: Black | In: 14,0 kW

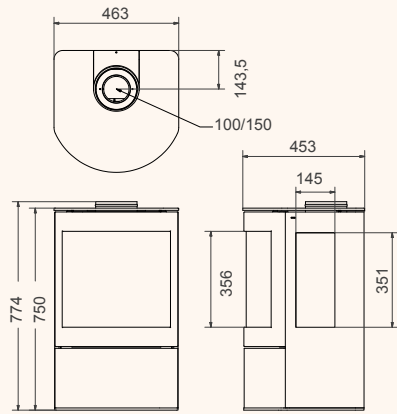
**ECO**

Danta 1100 → A++  
 → A+  
 Danta 1400 → A  
 → B  
 → C  
 → D  
 → E  
 → F  
 → G

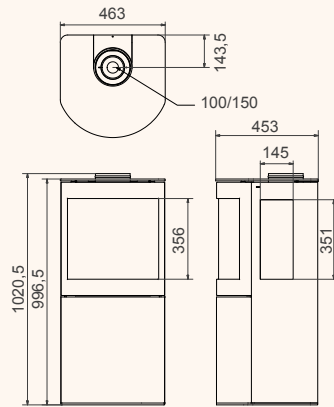
**wanders**  
fires & stoves

# Balsa

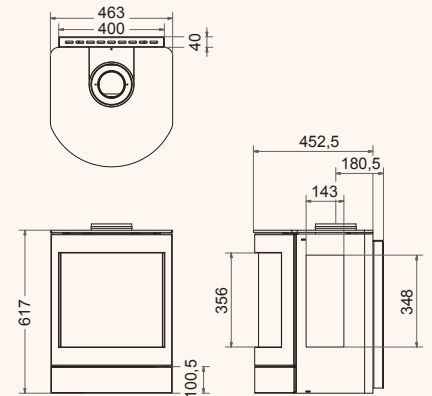
Balsa 75



Balsa 100



Balsa Wall



Balsa Wall



Balsa 100



Balsa 75 T



Balsa 75 / 100

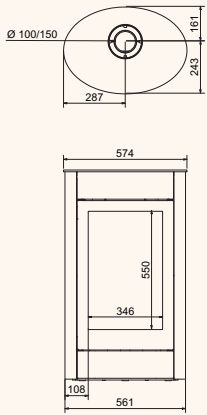
Black | In: 6,2 kW


Energy efficiency scale:

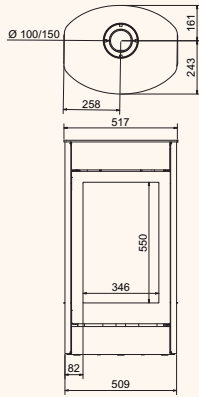
- A++
- A+ (indicated by an arrow)
- A
- B
- C
- D
- E
- F
- G

**wanders**  
fires & stoves

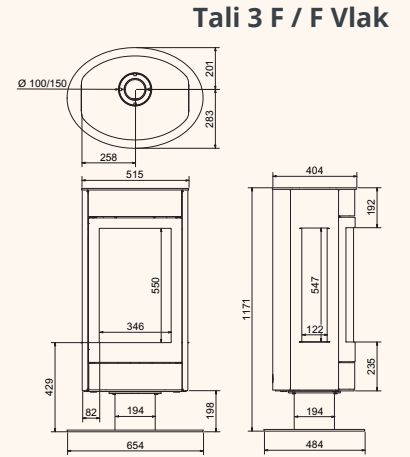
# Tali



Tali



Tali 3 / Vlak



Tali 3 F / F Vlak

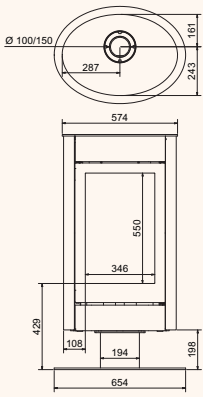


Tali

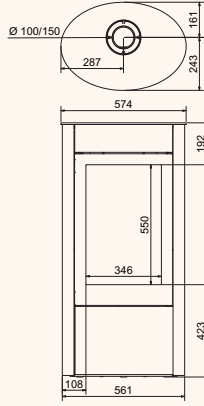
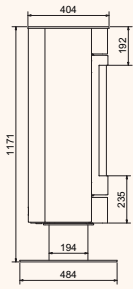


Tali 3

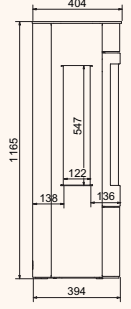
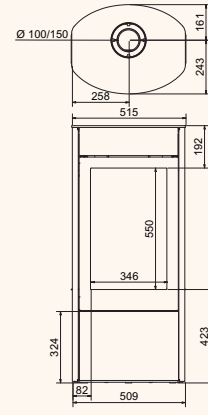
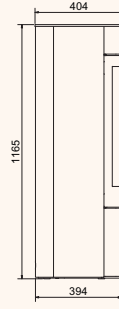
Tali 3XL / XL Vlak



Tali F



Tali XL



Tali 3 XL



Tali Vlak



Tali F White

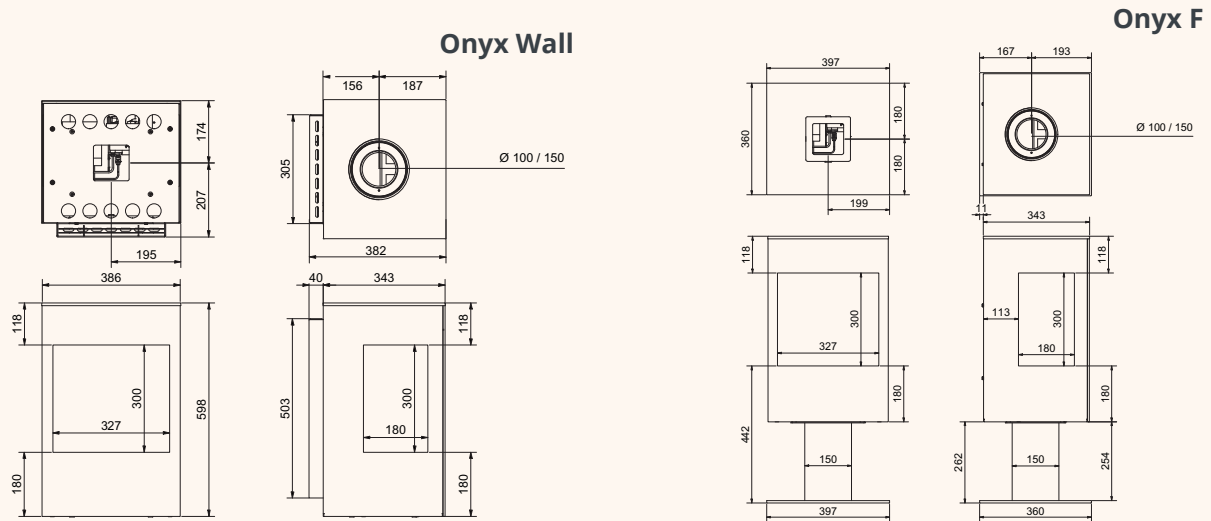
Tali | In: 6,2 kW

- Ø 100/150
- % 91,7
- Smart Home
- WiFi
- Thermostat
- Lock
- Remote Control
- Flameless

**wanders**  
fires & stoves



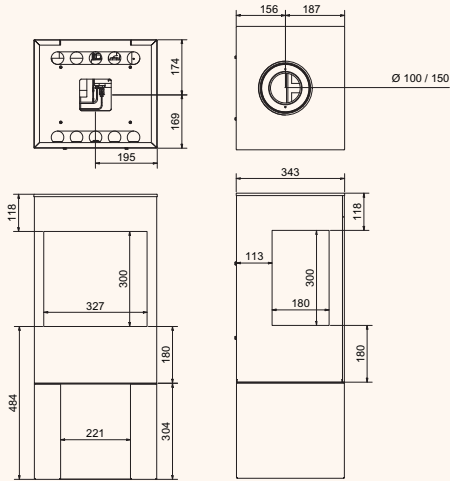
# ONYX Wall / F / Base / Original



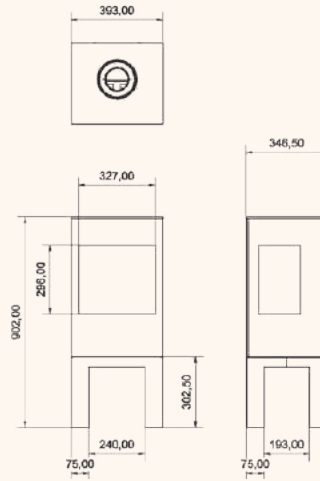
Onyx Wall



Onyx Base



Onyx Original



Onyx | In: 5,3 kW

- Ø 100/150
- % 91,2
- Smartphone icon
- Flame icon
- Flame icon
- Flame icon
- Lock icon
- Wi-Fi icon
- Thermometer icon
- Flame icon

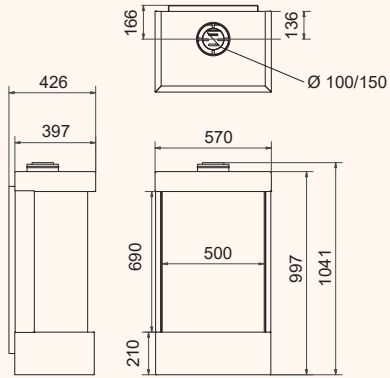
Energy efficiency scale:

- A++
- A+
- A
- B
- C
- D
- E
- F
- G

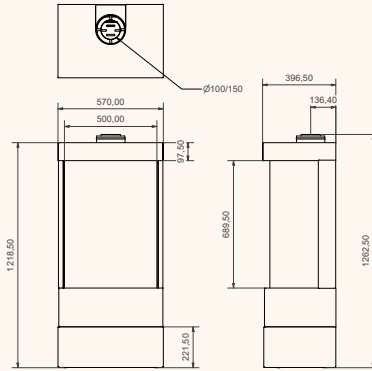
wanders  
fires & stoves

# Larix

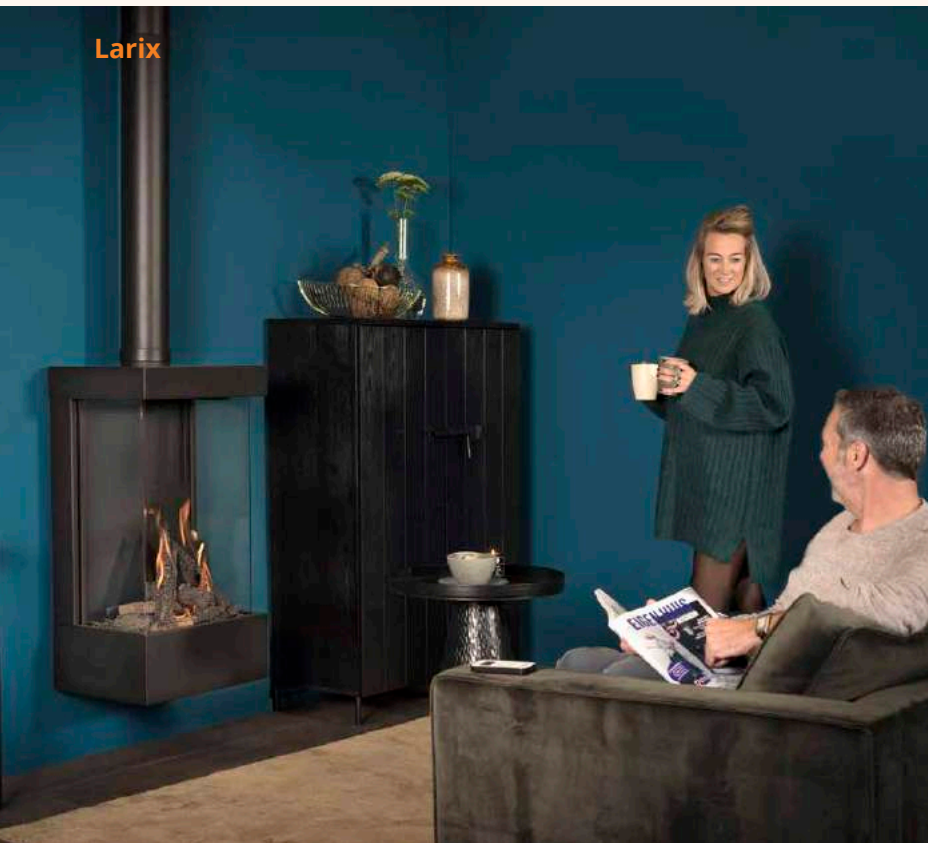
Larix



Larix base



Lenga 500 ABE



Black | 6,0 kW

- $\varnothing 100/150$
- % 91,8
- WiFi icon
- Flame icon
- Flame icon
- Flame icon
- Lock icon
- WiFi icon
- Flame icon
- Flame icon

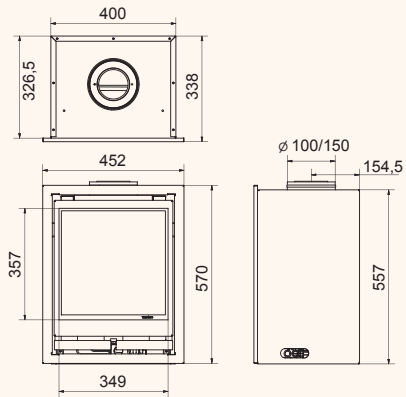
ECO

Energy efficiency scale (A++ to G) with an arrow pointing to A+.

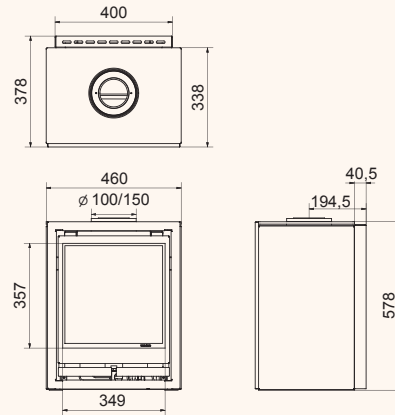
**wanders**  
fires & stoves

# Square 40G

Square 40G



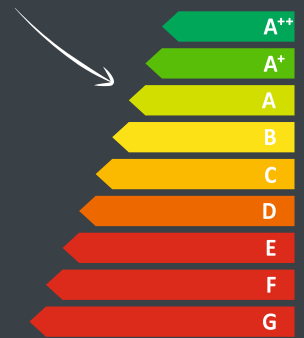
Square 40G Wall



Square 40G Wall



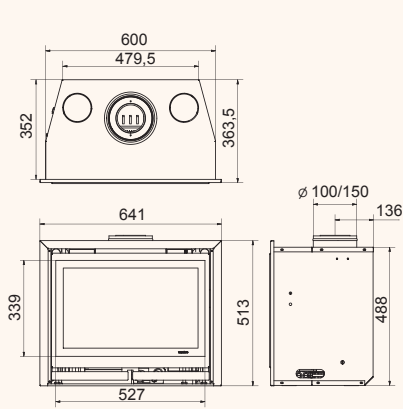
Black | In: 5,3 kW



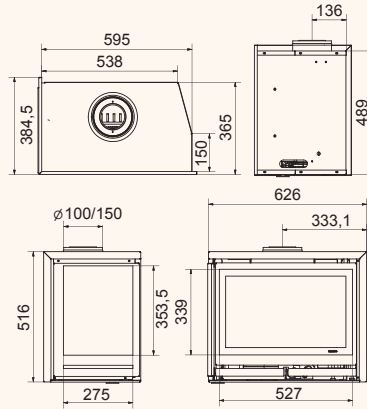
wanders  
fires & stoves

# Square 60G

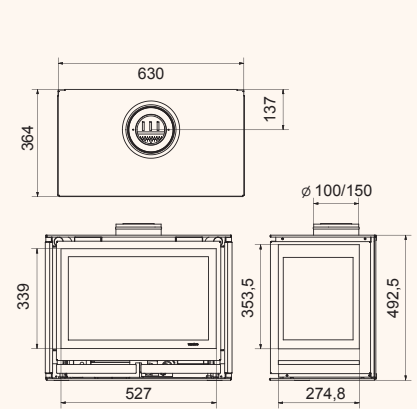
Square 60G front



Square 60G left/right



Square 60G trilateral



Square 60G right



Square 60G front



Square 60G trilateral



Black | In: 4,8 kW



wanders  
fires & stoves



**wanders**  
fires & stoves



Amtweg 4, NL-7077 AL Netterden  
The Netherlands  
T +31 (0)315 - 386 414  
E [info@wanders.com](mailto:info@wanders.com)  
I [www.wanders.com](http://www.wanders.com)