



OPTI-MIST WALL FIRE

UK

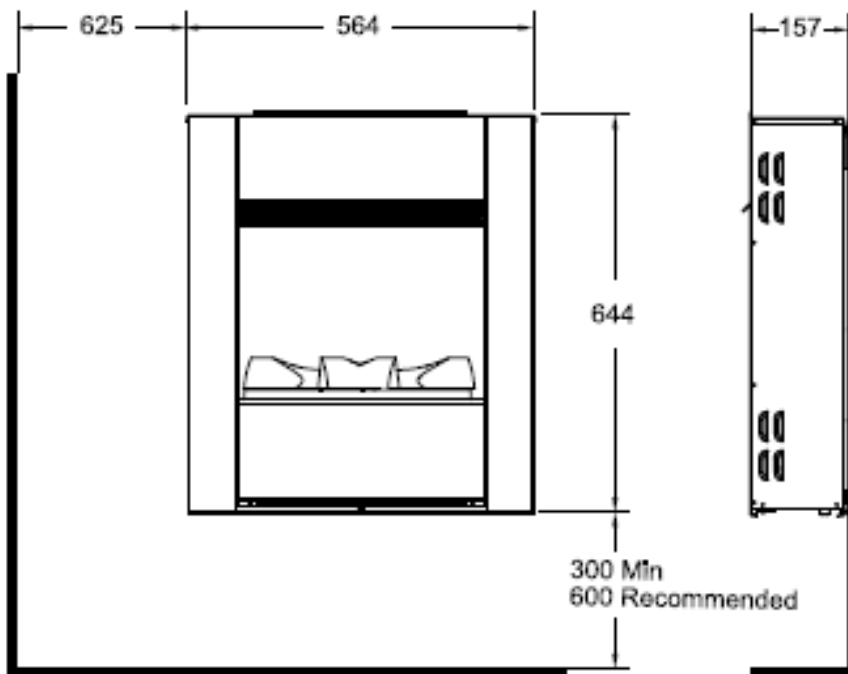
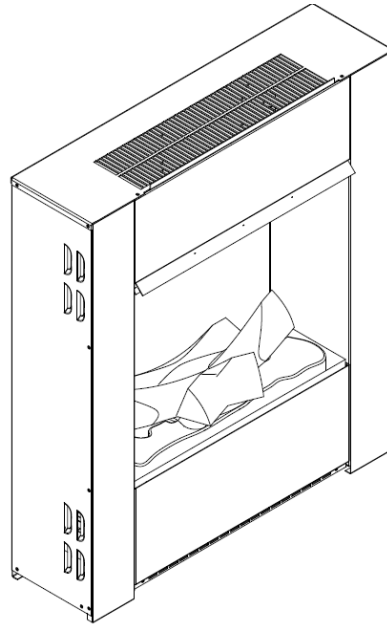
SPARES MANUAL

ISSUE 2

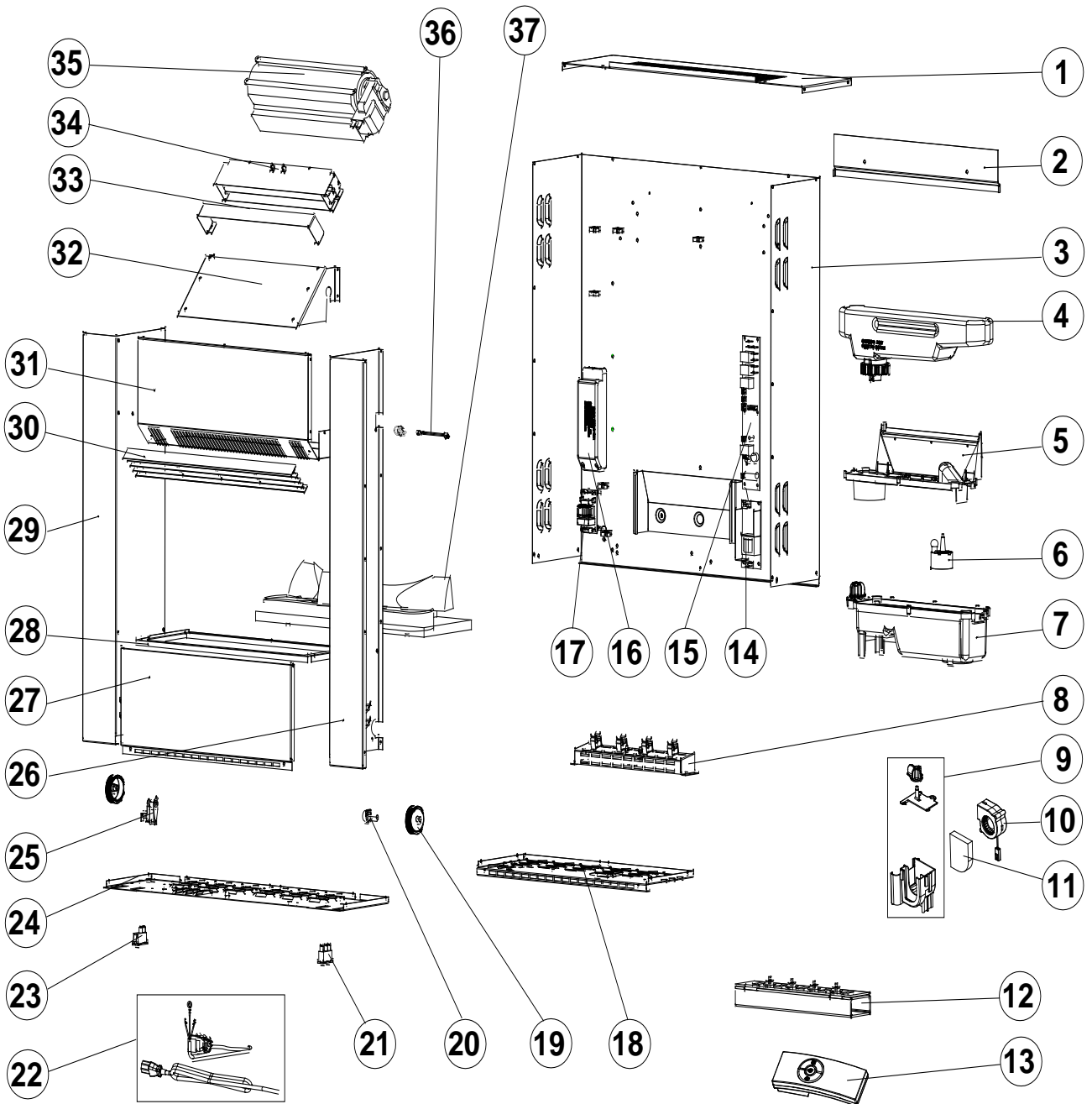
DECEMBER 2013

COMPILED BY JOHN WILKINSON

OPTI-MIST WALL FIRE



OPTI-MIST WALL FIRE



OPTI-MIST WALL FIRE UK

1.	7513048	TOP PANEL
2.	7511054	WALL BRACKETS
3.	7513049	CHASSIS ASSEMBLY
4.	7511023	BOTTLE & LID ASSEMBLY
5.	7513010	NOZZLE ASSEMBLY
6.	7511012	KERI TRANSDUCER
7.	7511008	SLIMLINE SUMP
8.	7513020	CERAMIC LAMPHOLDER ASSEMBLY
9.	7513084	SUMP FAN HOUSING ASSEMBLY
10.	7511020	SUMP FAN
11.	7511029	SUMP FAN FILTER
12.	7511055	4 BULB PACK
13.	7511064	REMOTE CONTROL (Branded DIMPLEX)
14.	7511021	24V DC PSU
15.	7511022	MAIN PCB
16.	7511019	HALOGEN POWER SUPPLY
17.	7511036	10 amp CHOKE
18.	7513050	INNER BASE
19.	7513051	CONTROL KNOB X 2
20.	7511017	POT & LEAD 300MM
21.	7511015	INRUSH SWITCH
22.	7513022	CORDSET UK
23.	7511035	ON / OFF SWITCH
24.	7513052	WRAP BASE
25.	7511014	TSB THERMOSTAT
26.	7513053	INNER SIDE LH
27.	7513054	FRONT BASE PANEL
28.	7513055	FUEL BED SUPPORT
29.	7513056	INNER SIDE RH
30.	7513057	GRILLE WELD ASSEMBLY
31.	7513058	BLOWER HOUSING GRILLE
32.	7513059	BLOWER FIXING BRACKET
33.	7513060	HEAT BAFFLE
34.	7510026	ELEMENT 2 X 1000W
35.	FP03029	FERGAS BLOWER
36.	7511028	IR RECIEVER
37.	7511057	FUEL BED

OPTI-MIST WALL FIRE UK

UPDATES

ISSUE 1 MARCH 2013

ISSUE 2 DECEMBER 2013

No.37 - 7511057 FUEL BED ADDED

No.9 – 7513007 SUMP FAN ASSEMBLY REPLACED WITH 7513084 SUMP FAN HOUSING ASSEMBLY

No.10 – 7511020 SUMP FAN ADDED

No.11 – 7511029 SUMP FAN FILTER ADDED