



CONTENT

| | |
|---|----|
| Danish design & craftsmanship for more than 45 years..... | 5 |
| Bella | 9 |
| Cosmo | 11 |
| Country | 15 |
| Cozy | 17 |
| Cubic | 23 |
| Elegance..... | 25 |
| Mido | 27 |
| Omega | 29 |
| Orion | 31 |
| Panorama | 35 |
| Senza | 37 |
| Sigma Titan | 41 |
| Troja | 43 |
| Zeta | 47 |
| Jydepejs H530 | 53 |
| Sigma..... | 55 |
| Glass floor plates | 59 |
| Dimensional drawings + technical data | 64 |

FIRE



BY

DESIGN

SINCE

1979





Danish design & craftsmanship for more than 45 years

For more than 45 years, Jydepejsen A/S has been creating innovative Danish wood-burning stoves of exceptional quality, featuring advanced technology, high design standards, superior quality, and outstanding environmental friendliness. Entirely Danish in origin, Jydepejsen stoves are designed by renowned Danish architects and furniture designers who consistently deliver extraordinary results.

We view the development of new products as an ongoing process, focusing not only on design and functionality but also on optimizing combustion technology to benefit both the environment and your heating budget. This is achieved through intensive engineering efforts and by selecting the finest raw materials.

We offer a wide range of options. Our stoves are available in various colors and materials, such as steel,

soapstone, and sandstone. Additionally, our stoves come in different heights, with or without side glass, with optional rotating bases, and customizable handles. We proudly present a selection of high-standard wood-burning stoves, all crafted with Jydepejsen's core quality values in mind: comfortable operation, optimal combustion, timeless design, and environmentally conscious behavior. Furthermore, all Jydepejsen stoves are rigorously tested and certified to meet the most stringent international standards and regulations.

We take pride in our craftsmanship and are dedicated to delivering top-quality products. We look forward to inviting you into our world of inspiration!

Discover how you can style your home while spreading warmth and joy with Jydepejsen.

STOVES



BELLA

*Design by
Mads Miltersen*



Bella is perfect for low-energy homes or residences with lower heating requirements. Bella comes with a self-closing door and standard options for fresh air connection. This model features a door with a fully glass front, providing a sleek and modern appearance.

By default, Bella is supplied without a handle, but the new handle, with its colored finish, serves as an integrated design element and is available as an additional option. Bella is available with or without side glass and in two different heights.



BELLA



BELLA SIDE GLASS



BELLA HIGH



BELLA HIGH SIDE GLASS

STANDARD

DuplicAir®
Fresh air intake
Wood compartment door

COLORS



KW: 3-5
M2: 30-100
Efficiency: 82%

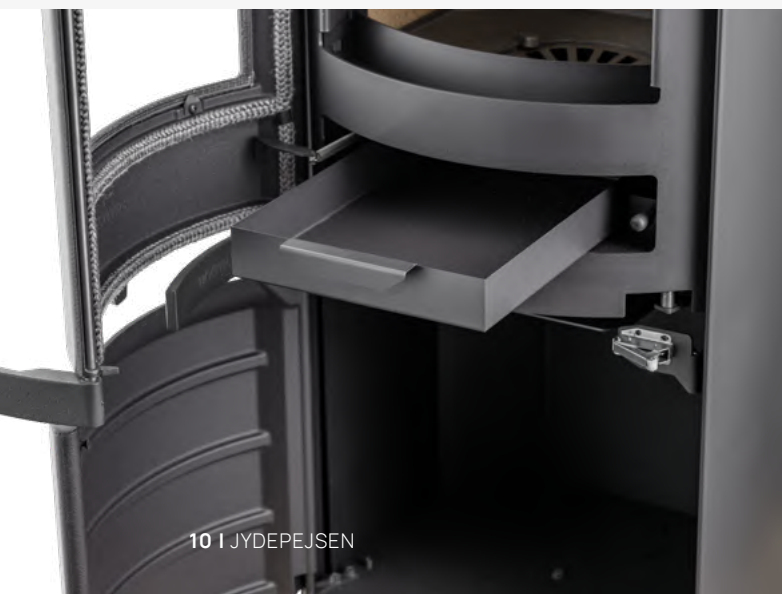
Combustion chamber:
H 430 x B 318 x D 255 mm



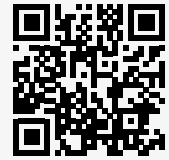
OPTIONAL

Handle
Accumulation stones
Custom glass floor plate

5-YEAR WARRANTY
Jydepejsen.com



COSMO →



Cosmo was launched in 2009 and is one of Jydepejsen's bestsellers. Every detail of Cosmo has been meticulously crafted, combining cast iron and steel to perfection. Its harmonious, timeless design appeals to all types of homes with its simplicity. The stove is made from the highest quality materials and is available in multiple steel and soapstone variants.

Cosmo has achieved excellent test results at the Danish Technological Institute, scoring just 6 mg/Nm³ for particulate emissions, which is remarkably low.



COSMO 971 STEEL



COSMO 1147 STEEL



COSMO 1500 STEEL

STANDARD

DuplicAir®
Wood compartment door

KW: 3-8
M2: 30-160
Efficiency: 80%

OPTIONAL

Fresh air intake
Accumulation stones (Cosmo 1500)
Custom glass floor plate

COLORS



5-YEAR WARRANTY
Jydepejsen.com

SOAPSTONE



COSMO 971
SOAPSTONE



COSMO 1147
SOAPSTONE



COSMO 1500
SOAPSTONE



COSMO CLASSIC
SOAPSTONE



COSMO 971
SOAPSTONE SPECIAL



COSMO 1147
SOAPSTONE SPECIAL



*Embrace the warmth
of togetherness*



COUNTRY



Country is our classic pride. Here, design, efficiency and high quality go hand in hand. A simple and stylish steel wood-burning stove that fits well in many homes and is perfect for summer houses.

The design embodies old-school rustic charm, while its functionality is fully up-to-date.



COUNTRY 575



COUNTRY 765

STANDARD
DuplicAir®

KW: 3-5
M2: 30-100
Efficiency: 81%

OPTIONAL
Fresh air intake

COLORS



Combustion chamber:
H 250 x B 342 x D 282 mm

5-YEAR WARRANTY
Jydepejsen.com

*Crafted for moments
that matter*



COZY →



Cozy is Jydepejsen's series of ultra-modern wood-burning stoves. Built on proud design traditions combined with modern innovation, Jydepejsen offers various models in materials such as steel, soapstone, and sandstone – with or without side glass and with either glass or cast-iron fronts. Additionally, you can choose whether the DuplicAir® air wheel should be in stainless steel or black.

Crafted from the highest quality materials, Cozy lives up to its name by showcasing mesmerizing flames that fill the room with warmth and coziness. Cozy makes wood stove ownership easy and guarantees a product with enduring style and durability.



COZY CLASSIC



COZY CLASSIC
SIDE GLASS



COZY MODERN



COZY MODERN
SIDE GLASS

STANDARD

DuplicAir®
Wood compartment door
Black or stainless steel
DuplicAir® air wheel

COLORS



KW: 3-8
M2: 30-160
Efficiency: 80%

Combustion chamber:
H 415 x B 365 x D 325 mm



OPTIONAL

Fresh air intake
Custom glass floor plate
Accumulation stones (Cozy High)

5-YEAR WARRANTY
Jydepejsen.com

BASE



COZY CLASSIC
BASE



COZY CLASSIC
BASE SIDE GLASS



COZY MODERN
BASE



COZY MODERN
BASE SIDE GLASS

WALL



COZY CLASSIC
WALL



COZY CLASSIC
WALL SIDE GLASS



COZY MODERN
WALL



COZY MODERN
WALL SIDE GLASS

HIGH



COZY CLASSIC HIGH



COZY CLASSIC
HIGH SIDE GLASS



COZY MODERN HIGH



COZY MODERN
HIGH SIDE GLASS

LOW



COZY CLASSIC LOW



COZY CLASSIC
LOW SIDE GLASS



COZY MODERN LOW



COZY MODERN
LOW SIDE GLASS

STONE



COZY CLASSIC
SOAPSTONE



COZY CLASSIC
SOAPSTONE SIDE GLASS



COZY MODERN
SOAPSTONE



COZY MODERN
SOAPSTONE SIDE GLASS



COZY CLASSIC
GREY WOOD SANDSTONE



COZY CLASSIC
GREY WOOD SANDSTONE
SIDE GLASS



COZY MODERN
GREY WOOD SANDSTONE



COZY MODERN
GREY WOOD SANDSTONE
SIDE GLASS



COZY CLASSIC
DARK SANDSTONE



COZY CLASSIC
DARK SANDSTONE
SIDE GLASS



COZY MODERN
DARK SANDSTONE



COZY MODERN
DARK SANDSTONE
SIDE GLASS



COZY CLASSIC
MOCA CREAM SANDSTONE



COZY CLASSIC
MOCA CREAM SANDSTONE
SIDE GLASS



COZY MODERN
MOCA CREAM SANDSTONE



COZY MODERN
MOCA CREAM SANDSTONE
SIDE GLASS





CUBIC

*Design by
Anders Nørgaard*



Cubic is a minimalist and modern wood-burning stove that, with its clean lines, fits perfectly into contemporary homes. The architect behind Jydepejsen's captivating Cubic series, furniture designer Anders Nørgaard, worked intensively for a year and a half on the series before he was satisfied. "I wanted to create a stove that was more than just a stove," says Anders Nørgaard, whose goal was to make Cubic both a beautiful and functional piece of furniture.



CUBIC WALL



CUBIC 109



CUBIC 166



CUBIC 215

STANDARD

DuplicAir®
Wood compartment door

KW: 3-8
M2: 30-160
Efficiency: 80%

OPTIONAL

Fresh air intake (except Cubic Wall)

COLORS



Combustion chamber:
H 415 x B 365 x D 325 mm



5-YEAR WARRANTY
Jydepejsen.com

*Built for generations,
designed for today*



ELEGANCE



Elegance features a unique oval design with striking details. The handle is integrated into a sleek band of stainless or black steel, which also conceals the DuplicAir® air regulation system. It has the market's widest panoramic glass, designed to provide a stunning 180° view of the flames and complete the refined finish.

Both the Elegance Classic and Elegance Junior are available with an invisible rotary base that rotates 360°, allowing you to enjoy the flames from anywhere in the room. The stove is available as both a freestanding model and a wall-mounted version.



ELEGANCE CLASSIC



ELEGANCE CLASSIC WALL



ELEGANCE JUNIOR



ELEGANCE JUNIOR WALL

STANDARD

DuplicAir®
 Fresh air intake (Elegance Junior)
 Wood compartment door
 Black or stainless steel handle

ELEGANCE CLASSIC

KW: 4-8
 M2: 40-160
 Efficiency: 75%

Combustion chamber:
 H 485 x B 446 x D 274 mm

ELEGANCE JUNIOR

KW: 3-5
 M2: 30-100
 Efficiency: 76%

Combustion chamber:
 H 416 x B 381 x D 221 mm

COLORS



OPTIONAL

Fresh air intake (Elegance Classic)
 Custom glass floor plate
 Rotating base



5-YEAR WARRANTY
Jydepejsen.com



MIDO



Slim and elegant, with unique details and solid craftsmanship. Mido has been meticulously designed down to the smallest detail. The stove features a large cast-iron door with a concealed ash drawer behind it. Through the large curved glass, you get an impressive view of the firebox, where the flames burn gracefully. The harmonious design appeals to a variety of interior styles with its simplicity.

Additionally, you can choose the color of the handle to match the expression you want for the stove.



MIDO STEEL



MIDO CAST IRON TOP



MIDO SOAPSTONE

STANDARD

DuplicAir®
Wood compartment door
Black, grey or stainless steel handle

COLORS



KW: 3-8
M2: 30-160
Efficiency: 80%

Combustion chamber:
H 415 x B 365 x D 325 mm



OPTIONAL

Fresh air intake
Soapstone top
Custom glass floor plate

5-YEAR WARRANTY
Jydepejsen.com



OMEGA



With its round shape, elegant handle, and a door made entirely of black glass, Omega is a highly modern wood-burning stove where every detail has been carefully considered. Omega meets all the latest market standards and features. A self-closing door and fresh air connection are included as standard.

The stove is available in four variants: Omega Basic, Omega High, Omega Core – which comes with accumulation stones as standard, and Omega Chef, which features a baking and roasting oven at the top.



OMEGA BASIC



OMEGA CHEF



OMEGA CORE / HIGH

STANDARD

DuplicAir®
Fresh air intake
Wood compartment door
Accumulation stones (Core)

KW: 3-8
M2: 30-160
Efficiency: 79%

Combustion chamber:
H 412 x B 368 x D 407 mm

OPTIONAL

Soft Close System
Rotating base
Custom glass floor plate

COLORS



5-YEAR WARRANTY
Jydepejsen.com

*Timeless design,
modern technology*



ORION →



Orion is a cozy heat source with a classic and rustic appearance. This eye-catching, large wood-burning stove adds charm to any living room. The large panoramic glass provides elegance and grace, and its robust cast-iron door enables it to withstand very high temperatures. In steel, the stove has a raw, industrial look, while in soapstone or sandstone, it brings nature indoors. All in all, it is an incredibly charming stove.

As a new feature, the door is self-closing with magnets, offering a smooth and satisfying operation.



ORION STEEL



ORION SOAPSTONE



ORION SOAPSTONE
SPECIAL

STANDARD

DuplicAir®
Fresh air intake

KW: 3-8
M2: 30-160
Efficiency: 79%

OPTIONAL

Custom glass floor plate

COLORS



Combustion chamber:
H 412 x B 368 x D 407 mm

5-YEAR WARRANTY
Jydepejsen.com

SANDSTONE



ORION GREY WOOD
SANDSTONE SPECIAL



ORION MOCA CREAM
SANDSTONE SPECIAL



ORION DARK
SANDSTONE SPECIAL







34 | JYDEPEJSEN



PANORAMA

*Design by
Knud Holscher*



Panorama is a cubist wood-burning stove with a large angular glass that offers a clear view of the flames from multiple angles. The model's large self-closing door emphasizes the clean lines and gives the stove a sleek and elegant appearance.

The DuplicAir® air system is naturally integrated into the model, ensuring easy operation and optimal combustion.



PANORAMA 1500

STANDARD
DuplicAir®

KW: 4-9
M2: 40-180
Efficiency: 75%

OPTIONAL
Fresh air intake
Accumulation stones

COLORS



Combustion chamber:
H 445 x B 295 x D 295 mm

5-YEAR WARRANTY
Jydepejsen.com



SENZA

*Design by
Mads Miltersen*



Senza is ideal for homes with low heating requirements, such as low-energy houses, smaller rooms, or summer cottages. Both the door and top are made of cast iron. The door is self-closing with magnets, providing a smooth and satisfying feel. Senza is available in many variants – with or without side glass.

The side glass model offers a stunning view of the flames from three sides. You can also choose to mount it simply on the wall. Optional top soapstone is available for the models.



SENZA

SENZA SIDE GLASS

SENZA HIGH

SENZA HIGH
SIDE GLASS

STANDARD

DuplicAir®
Fresh air intake
Wood compartment door
(Black, grey or stainless steel
handle/DuplicAir® air wheel)

KW: 3-5
M2: 30-100
Efficiency: 82%

Combustion chamber:
H 430 x B 318 x D 255 mm

OPTIONAL

Fresh air intake rear (Senza Wall)
Square handle
Soapstone top
Corner mounting inside/outside
(Senza Wall)
Custom glass floor plate
Accumulation stones (Senza High)

COLORS



5-YEAR WARRANTY
Jydepejsen.com

STONE



SENZA GREY WOOD
SANDSTONE



SENZA GREY WOOD
SANDSTONE SIDE
GLASS



SENZA MOCA CREAM
SANDSTONE



SENZA MOCA CREAM
SANDSTONE SIDE
GLASS



SENZA DARK SANDSTONE



SENZA DARK SANDSTONE
SIDE GLASS



SENZA SOAPSTONE



SENZA SOAPSTONE
SIDE GLASS

WALL



SENZA WALL



SENZA WALL
SIDE GLASS





SIGMA TITAN



Sigma Titan is a series of stoves featuring three different constructions in Tulikivi soapstone with the Sigma insert at its core.

The stones' unique and warm appearance form the basis of a piece of furniture that provides a beautiful view of the flames through the large, wide-format glass.

If desired, the stove can be combined with various components, allowing you to give Sigma Titan a personal touch that will enhance your living room in both summer and winter.



SIGMA TITAN 1



SIGMA TITAN 2



SIGMA TITAN 3

STANDARD

DuplicAir®
Fresh air intake

KW: 4-8
M2: 40-160
Efficiency: 79%

OPTIONAL

Soapstone bench

COLORS



Combustion chamber:
H 360 x B 580 x D 290 mm

5-YEAR WARRANTY
Jydepejsen.com



TROJA



This beautiful and robust soapstone or sandstone stove is unique and perfect for larger homes. The stone cladding, meticulously tailored to the insert, efficiently retains and releases heat for many hours. The large glass door offers a unique view of the captivating flames.

The automatic magnetic closing system elegantly secures the door in place during closure.

Troja epitomizes natural artistry, with nature's own design creating a unique and individual appearance for each stove.



TROJA 44
SOAPSTONE



TROJA 45
SOAPSTONE



TROJA 46
SOAPSTONE

STANDARD

DuplicAir®
Fresh air intake

KW: 3-8
M2: 30-160
Efficiency: 79%

OPTIONAL

Accumulation stones
Custom glass floor plate

COLORS



Combustion chamber:
H 412 x B 368 x D 407 mm

5-YEAR WARRANTY
Jydepejsen.com

SANDSTONE



TROJA 44 DARK SANDSTONE



TROJA 45 DARK SANDSTONE



TROJA 46 DARK SANDSTONE



44 | JYDEPEJSEN







ZETA →



Zeta is a stove series rooted in Scandinavian tradition, combining solid craftsmanship with clean design. The unique integration of Jydepejsen's H530 insert as the centerpiece, paired with a choice of bases, creates new possibilities and a wide range of expressions for modern interiors.

Choose between Zeta Freestanding, Zeta Base, and Zeta Wall in either corten or black steel, and experience an exciting interplay of materials, shapes, and fire.



ZETA FREESTANDING
BLACK



ZETA FREESTANDING
CORTEN

STANDARD
DuplicAir®

KW: 4-9
M2: 40-180
Efficiency: 75%

OPTIONAL
Fresh air intake

COLORS



Combustion chamber:
H 350 x B 600 x D 300 mm

5-YEAR WARRANTY
Jydepejsen.com

BASE



ZETA BASE BLACK



ZETA BASE CORTEN

WALL



ZETA WALL BLACK



ZETA WALL CORTEN



INSERTS



*Crafted to ignite,
designed to endure*



JYDEPEJS H530



A modern fireplace insert that is both elegant and simple. The H530 is particularly well-suited for an open fireplace and can be adapted to an existing wall opening. One of the advantages of the insert is the convection heat effect, which cannot be achieved with an open fireplace.

The Jydepejs H530 can be customized with an individually tailored frame. You can choose whether the door should be right- or left-hinged. Additionally, you can select between the Classic version with a steel front or the Modern version with a full glass front.



JYDEPEJS H530 CLASSIC



JYDEPEJS H530 MODERN

STANDARD

DuplicAir®
Individual frame customization

KW: 4-9
M2: 40-180
Efficiency: 75%

Combustion chamber:
H 350 x B 600 x D 300 mm

OPTIONAL

Fresh air intake
Special frame
Special frame with side panel

COLORS



5-YEAR WARRANTY
Jydepejsen.com



SIGMA



Sigma is a fireplace insert with an exceptionally sleek design. It offers the option for fresh air intake and connection to heat distribution systems. Sigma is equipped with the DuplicAir® air management system, well-known from Jydepejsen's freestanding wood-burning stoves.

The door features a full glass front and magnetic closure. The long, elegant handle spans the entire height of the door.



SIGMA

STANDARD

DuplicAir®
Fresh air intake

KW: 4-8
M2: 40-160
Efficiency: 79%

OPTIONAL

Special framing
Special framing with side panel

COLORS



Combustion chamber:
H 360 x B 580 x D 290 mm

5-YEAR WARRANTY
Jydepejsen.com

ACCESSORIES



GLASS FLOOR PLATES



If you order one of Jydepejsen's floor plates in clear, tempered glass, you get both an aesthetically pleasing and practical solution that offers benefits year-round.

The glass plate slides under the front of the stove, without being fixed beneath it. This makes it easy to remove the plate for cleaning or during summer periods when the stove is not in use.

The glass plate is shaped to match each specific model, providing a beautiful and seamless finish.

Custom glass floor plates are available for the following models:

Senza / Bella / Omega / Elegance Classic / Elegance Junior / Orion / Troja / Mido / Cosmo / Cozy







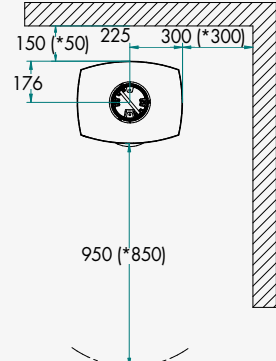
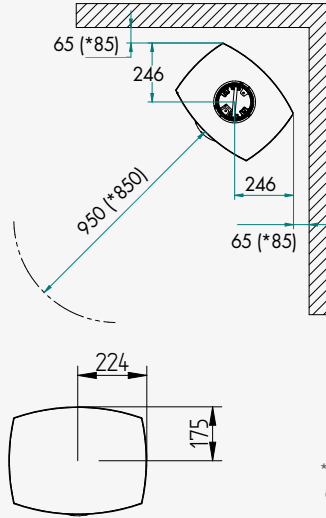
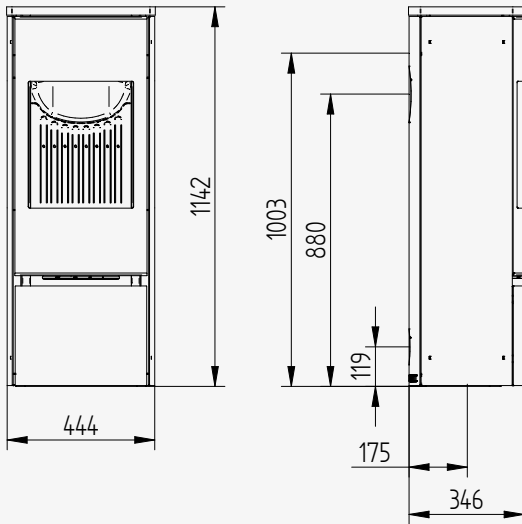
TECHNICAL DATA

A+

BELLA STEEL

Min./max. output 3 - 5 kW
 Mean CO-emission 0,07 %
 Recommended chimney draft..... 12 pa
 Weight 125 kg
 Smoke outlet Ø 150 mm
 Accumulation stone..... 9 kg - Optional
 Diameter of fresh air intake Ø 100 mm
 Combustion chamber 430 x 318 x 255 mm

Efficiency 82%
 Flue gas mass flow 4,3 G/S
 Flue gas temperature 239 C
 Dust emission 4 mg
 BImSchV Stufe 2 ✓
 DIBt / RLU ✓
 Defra / Area Smoke Control ✓
 §15A..... ✓



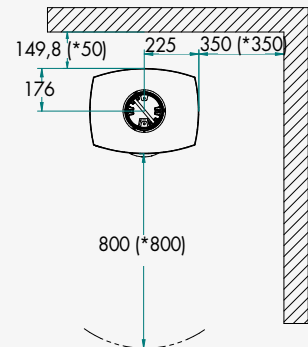
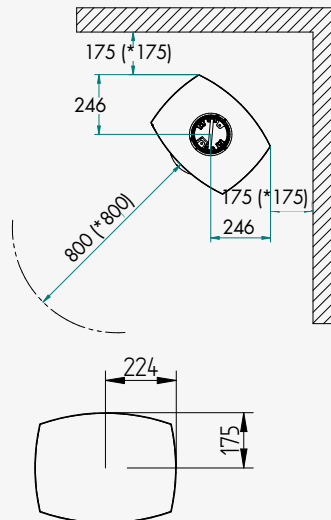
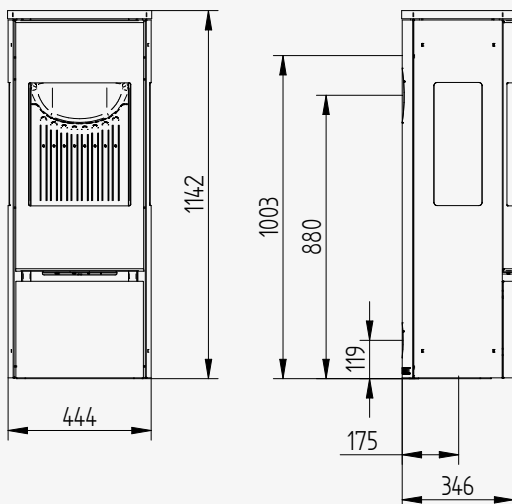
* The numbers indicated in parentheses show the distance to combustible materials when installed with an insulated flue pipe.

A+

BELLA W/SIDE GLASS

Min./max. output 3 - 5 kW
 Mean CO-emission 0,07 %
 Recommended chimney draft..... 12 pa
 Weight 124 kg
 Smoke outlet Ø 150 mm
 Accumulation stone..... 9 kg - Optional
 Diameter of fresh air intake Ø 100 mm
 Combustion chamber 430 x 318 x 255 mm

Efficiency 82%
 Flue gas mass flow 4,3 G/S
 Flue gas temperature 239 C
 Dust emission 4 mg
 BImSchV Stufe 2 ✓
 DIBt / RLU ✓
 Defra / Area Smoke Control ✓
 §15A..... ✓

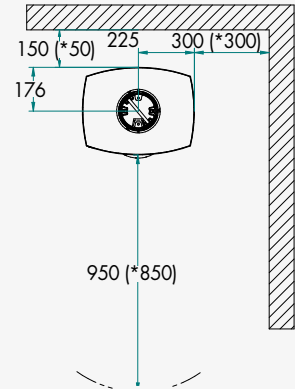
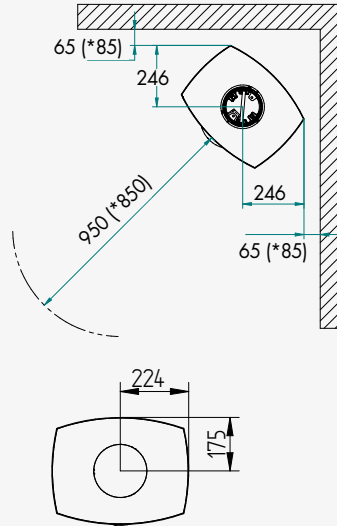
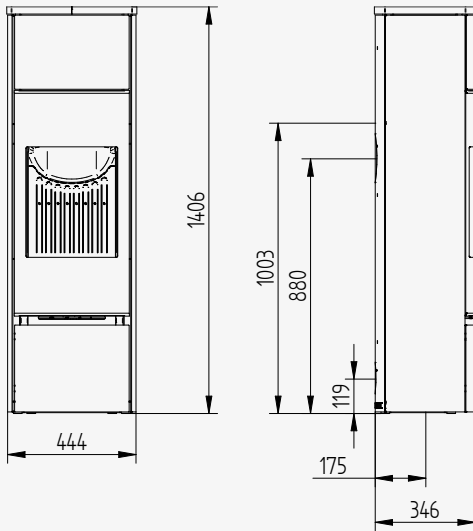


* The numbers indicated in parentheses show the distance to combustible materials when installed with an insulated flue pipe.

A+

BELLA HIGH

| | | | |
|------------------------------------|--------------------|----------------------------------|---------|
| Min./max. output | 3 - 5 kW | Efficiency | 82% |
| Mean CO-emission | 0,07 % | Flue gas mass flow | 4,3 G/S |
| Recommended chimney draft | 12 pa | Flue gas temperature | 239 C |
| Weight | 136 kg | Dust emission | 4 mg |
| Smoke outlet | Ø 150 mm | BlmSchV Stufe 2 | ✓ |
| Accumulation stone | 45 kg - Optional | DIBt / RLU | ✓ |
| Diameter of fresh air intake | Ø 100 mm | Defra / Area Smoke Control | ✓ |
| Combustion chamber | 430 x 318 x 255 mm | §15A | ✓ |

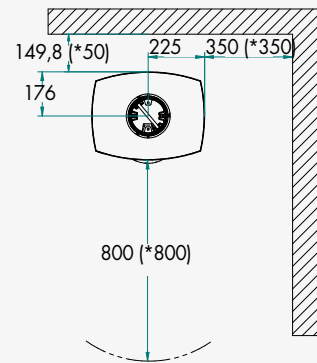
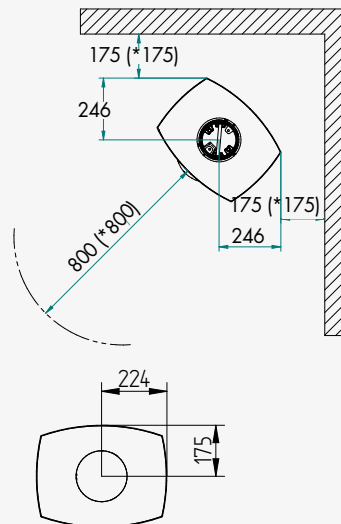
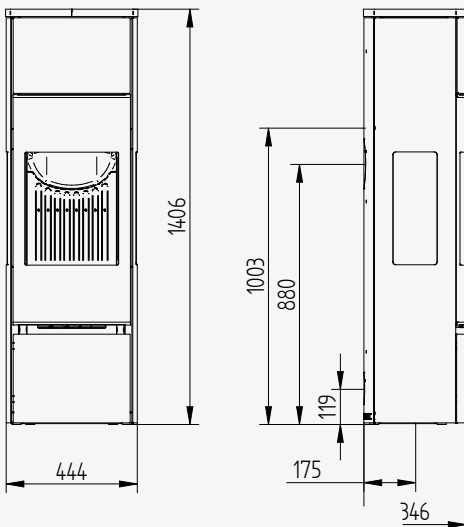


* The numbers indicated in parentheses show the distance to combustible materials when installed with an insulated flue pipe.

A+

BELLA HIGH W/SIDE GLASS

| | | | |
|------------------------------------|--------------------|----------------------------------|---------|
| Min./max. output | 3 - 5 kW | Efficiency | 82% |
| Mean CO-emission | 0,07 % | Flue gas mass flow | 4,3 G/S |
| Recommended chimney draft | 12 pa | Flue gas temperature | 239 C |
| Weight | 135 kg | Dust emission | 4 mg |
| Smoke outlet | Ø 150 mm | BlmSchV Stufe 2 | ✓ |
| Accumulation stone | 45 kg - Optional | DIBt / RLU | ✓ |
| Diameter of fresh air intake | Ø 100 mm | Defra / Area Smoke Control | ✓ |
| Combustion chamber | 430 x 318 x 255 mm | §15A | ✓ |



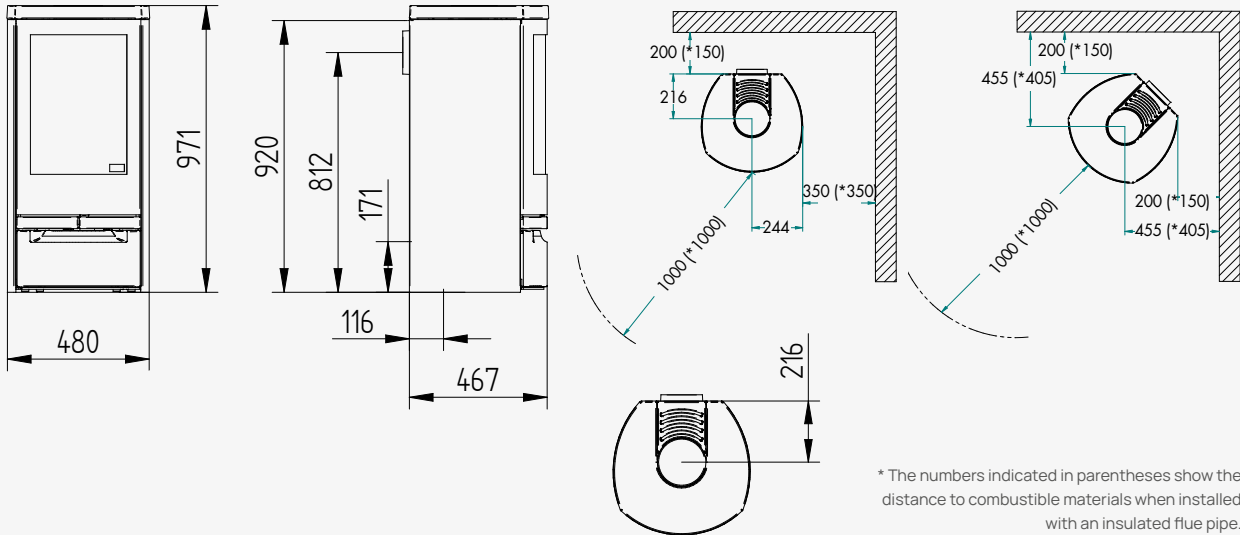
* The numbers indicated in parentheses show the distance to combustible materials when installed with an insulated flue pipe.

A+

COSMO 971 STEEL

Min./max. output 3 - 8 kW
 Mean CO-emission 0,06 %
 Recommended chimney draft 12 pa
 Weight 144 kg
 Smoke outlet Ø 150 mm
 Diameter of fresh air intake Ø 100 mm - Optional
 Combustion chamber 415 x 365 x 325 mm

Efficiency 80%
 Flue gas mass flow 6 G/S
 Flue gas temperature 286 C
 Dust emission 6 mg
 BImSchV Stufe 2 ✓
 Defra / Area Smoke Control ✓
 §15A ✓



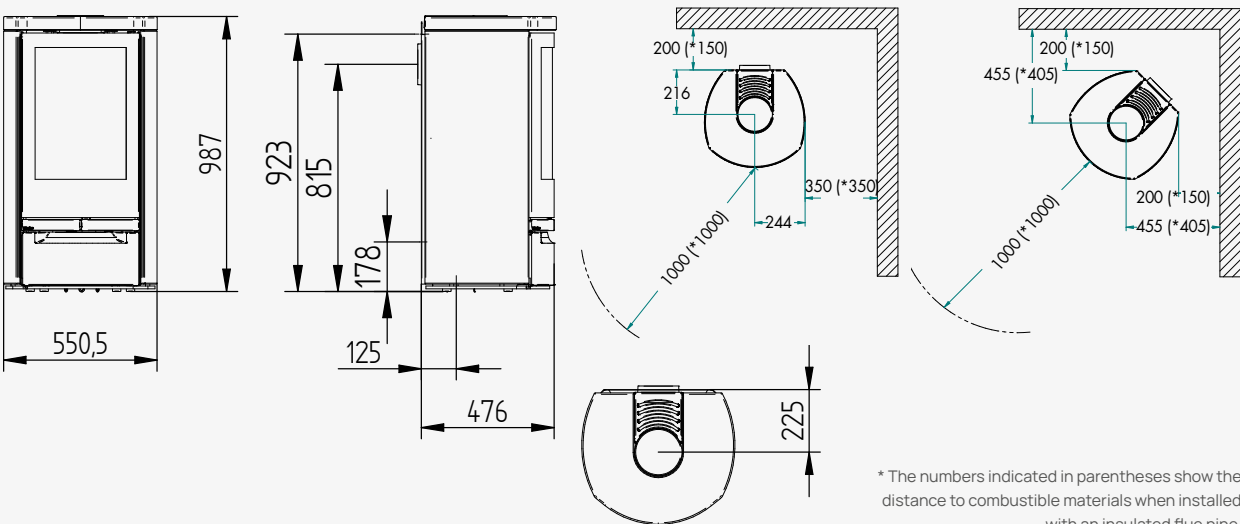
* The numbers indicated in parentheses show the distance to combustible materials when installed with an insulated flue pipe.

A+

COSMO 971 SOAPSTONE

Min./max. output 3 - 8 kW
 Mean CO-emission 0,06 %
 Recommended chimney draft 12 pa
 Weight 247 kg
 Smoke outlet Ø 150 mm
 Diameter of fresh air intake Ø 100 mm - Optional
 Combustion chamber 415 x 365 x 325 mm

Efficiency 80%
 Flue gas mass flow 6 G/S
 Flue gas temperature 286 C
 Dust emission 6 mg
 BImSchV Stufe 2 ✓
 Defra / Area Smoke Control ✓
 §15A ✓

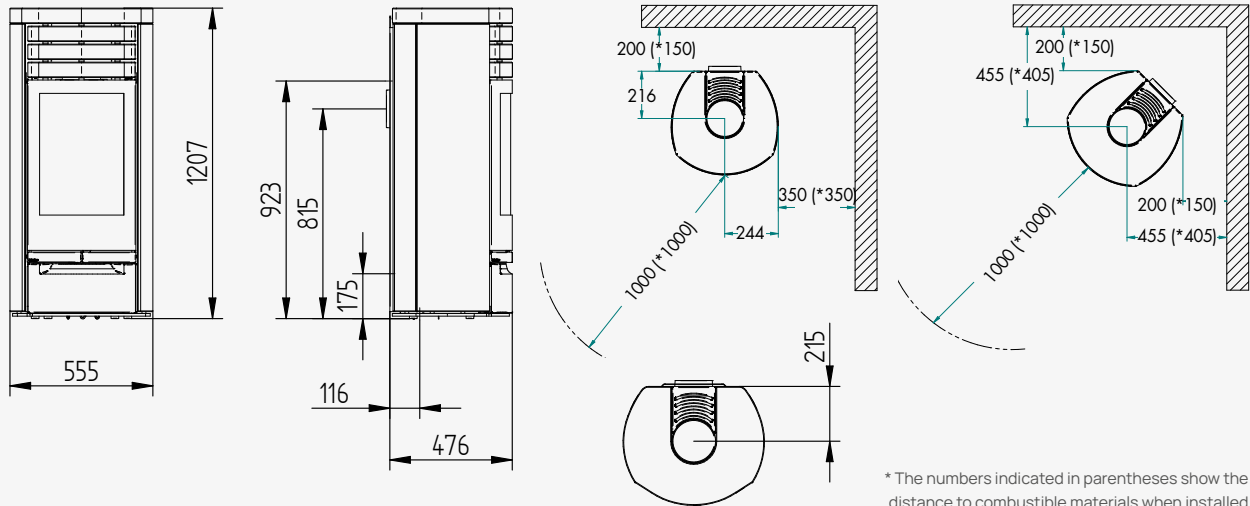


* The numbers indicated in parentheses show the distance to combustible materials when installed with an insulated flue pipe.

A+

COSMO 971 SOAPSTONE SPECIAL

| | | | |
|-----------------------------------|---------------------|----------------------------------|-------|
| Min./max. output | 3 - 8 kW | Efficiency | 80% |
| Mean CO-emission | 0,06 % | Flue gas mass flow | 6 G/S |
| Recommended chimney draft | 12 pa | Flue gas temperature | 286 C |
| Weight | 321 kg | Dust emission | 6 mg |
| Smoke outlet | Ø 150 mm | BlmSchV Stufe 2 | ✓ |
| Diameter of fresh air intake | Ø 100 mm - Optional | Defra / Area Smoke Control | ✓ |
| Combustion chamber | 415 x 365 x 325 mm | §15A..... | ✓ |

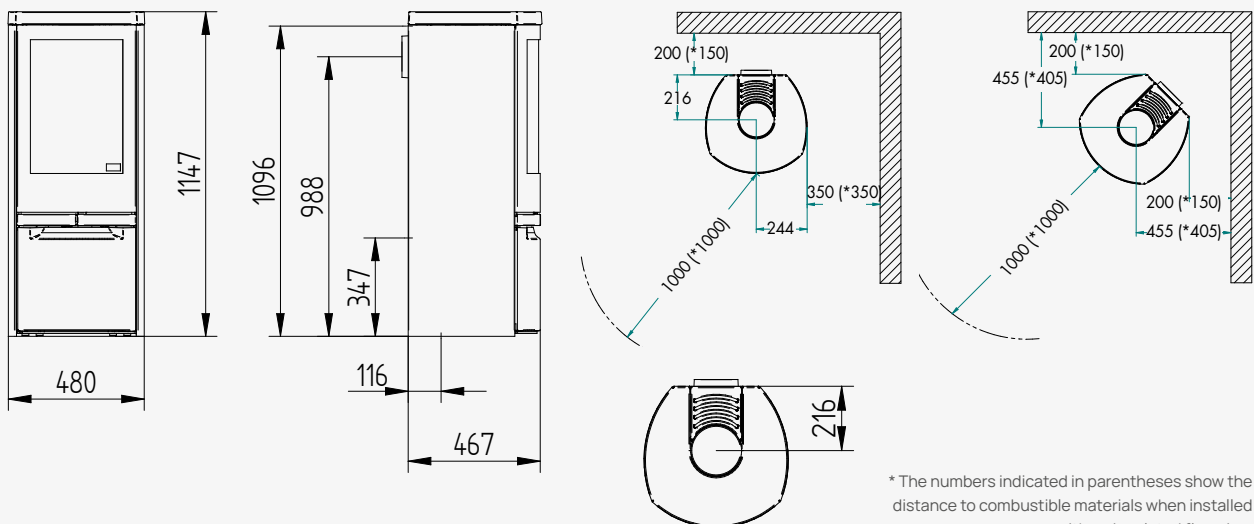


* The numbers indicated in parentheses show the distance to combustible materials when installed with an insulated flue pipe.

A+

COSMO 1147 STEEL

| | | | |
|-----------------------------------|---------------------|----------------------------------|-------|
| Min./max. output | 3 - 8 kW | Efficiency | 80% |
| Mean CO-emission | 0,06 % | Flue gas mass flow | 6 G/S |
| Recommended chimney draft | 12 pa | Flue gas temperature | 286 C |
| Weight | 156 kg | Dust emission | 6 mg |
| Smoke outlet | Ø 150 mm | BlmSchV Stufe 2 | ✓ |
| Diameter of fresh air intake | Ø 100 mm - Optional | Defra / Area Smoke Control | ✓ |
| Combustion chamber | 415 x 365 x 325 mm | §15A..... | ✓ |

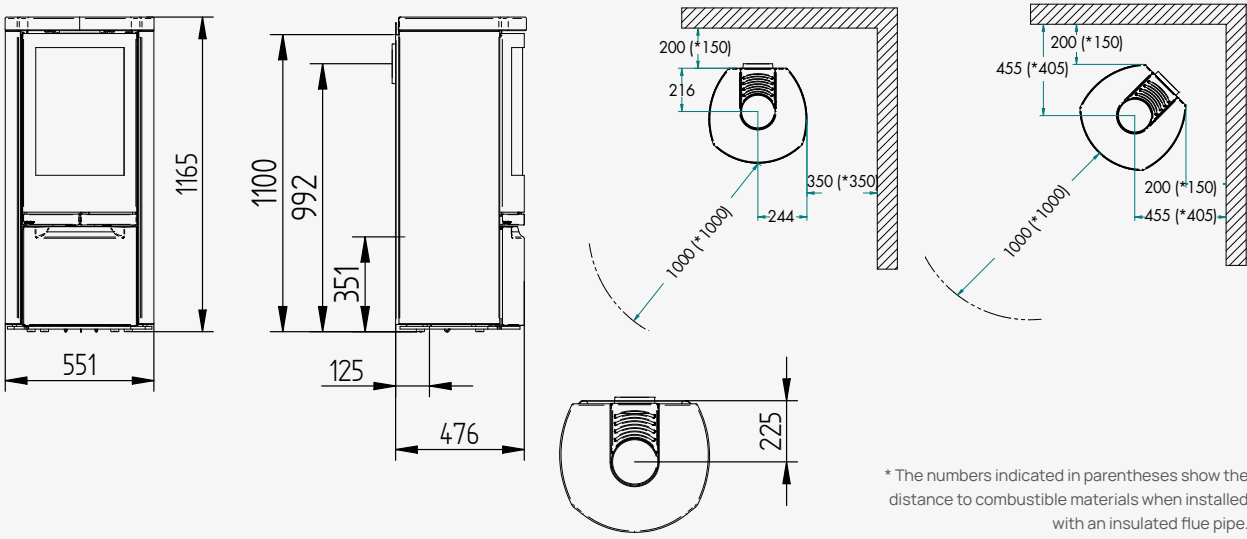


* The numbers indicated in parentheses show the distance to combustible materials when installed with an insulated flue pipe.

A+

COSMO 1147 SOAPSTONE

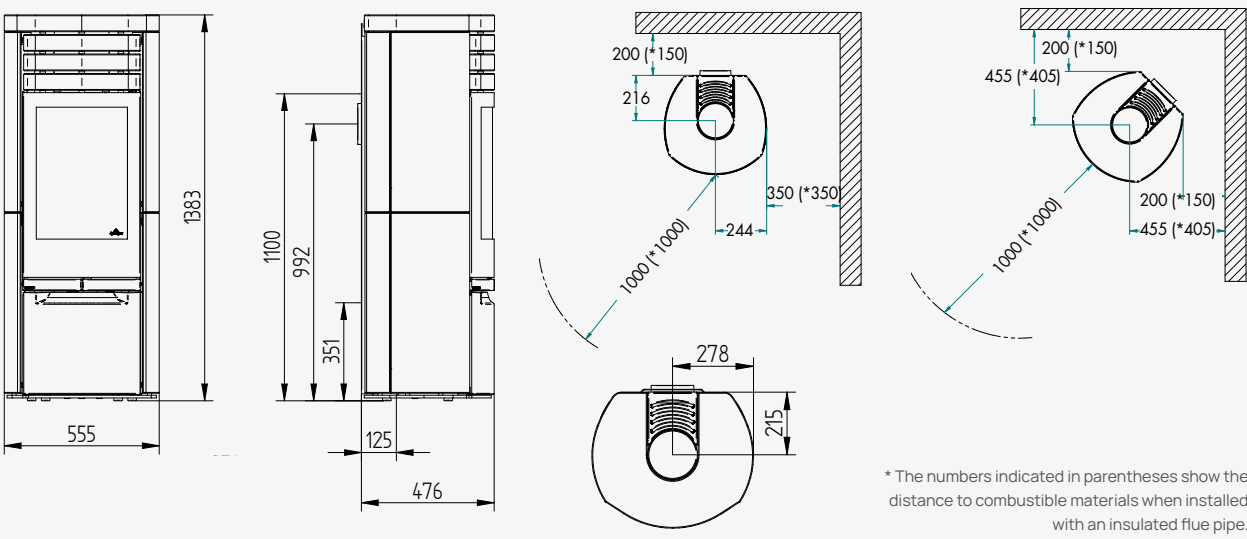
| | | | |
|-----------------------------------|---------------------|----------------------------------|-------|
| Min./max. output | 3 - 8 kW | Efficiency | 80% |
| Mean CO-emission | 0,06 % | Flue gas mass flow | 6 G/S |
| Recommended chimney draft..... | 12 pa | Flue gas temperature | 286 C |
| Weight | 276 kg | Dust emission | 6 mg |
| Smoke outlet | Ø 150 mm | BImSchV Stufe 2 | ✓ |
| Diameter of fresh air intake | Ø 100 mm - Optional | Defra / Area Smoke Control | ✓ |
| Combustion chamber | 415 x 365 x 325 mm | §15A..... | ✓ |



A+

COSMO 1147 SOAPSTONE SPECIAL

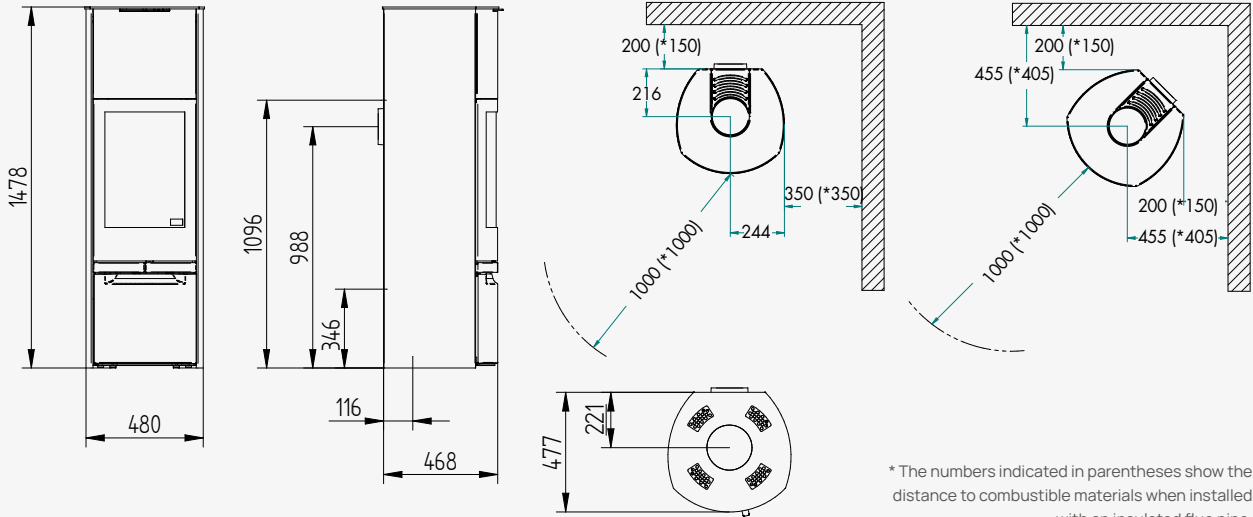
| | | | |
|-----------------------------------|---------------------|----------------------------------|-------|
| Min./max. output | 3 - 8 kW | Efficiency | 80% |
| Mean CO-emission | 0,06 % | Flue gas mass flow | 6 G/S |
| Recommended chimney draft..... | 12 pa | Flue gas temperature | 286 C |
| Weight | 342 kg | Dust emission | 6 mg |
| Smoke outlet | Ø 150 mm | BImSchV Stufe 2 | ✓ |
| Diameter of fresh air intake | Ø 100 mm - Optional | Defra / Area Smoke Control | ✓ |
| Combustion chamber | 415 x 365 x 325 mm | §15A..... | ✓ |



A+

COSMO 1500 STEEL

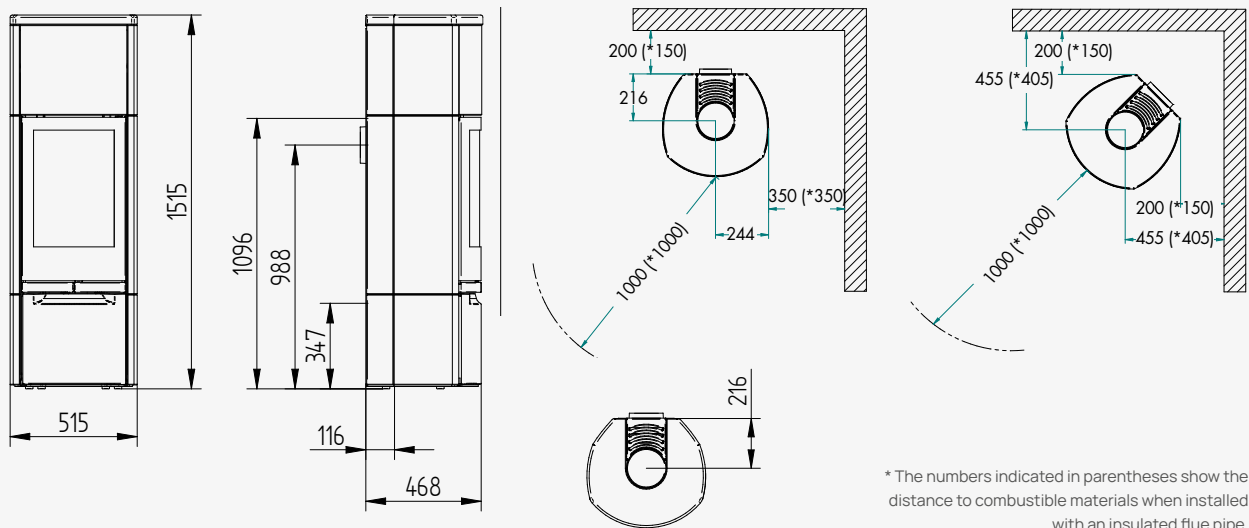
| | | | |
|-----------------------------------|---------------------|----------------------------------|--------------------|
| Min./max. output | 3 - 8 kW | Combustion chamber | 415 x 365 x 325 mm |
| Mean CO-emission | 0,06 % | Efficiency | 80% |
| Recommended chimney draft | 12 pa | Flue gas mass flow | 6 G/S |
| Weight | 165 kg | Flue gas temperature | 286 C |
| Smoke outlet | Ø 150 mm | Dust emission | 6 mg |
| Accumulation stone | 45 kg - Optional | BlmSchV Stufe 2 | ✓ |
| Diameter of fresh air intake | Ø 100 mm - Optional | Defra / Area Smoke Control | ✓ |
| mm | | §15A..... | ✓ |



A+

COSMO 1500 SOAPSTONE

| | | | |
|-----------------------------------|---------------------|----------------------------------|-------|
| Min./max. output | 3 - 8 kW | Efficiency | 80% |
| Mean CO-emission | 0,06 % | Flue gas mass flow | 6 G/S |
| Recommended chimney draft | 12 pa | Flue gas temperature | 286 C |
| Weight | 320 kg | Dust emission | 6 mg |
| Smoke outlet | Ø 150 mm | BlmSchV Stufe 2 | ✓ |
| Accumulation stone | 45 kg - Optional | Defra / Area Smoke Control | ✓ |
| Diameter of fresh air intake | Ø 100 mm - Optional | §15A..... | ✓ |
| Combustion chamber | 415 x 365 x 325 mm | | |

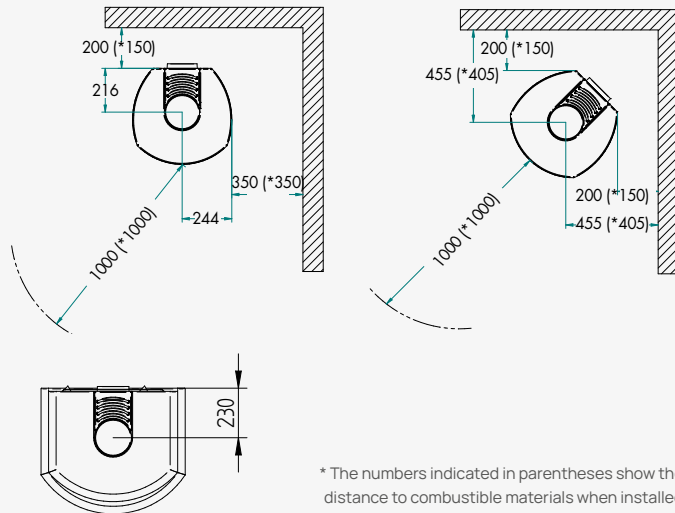
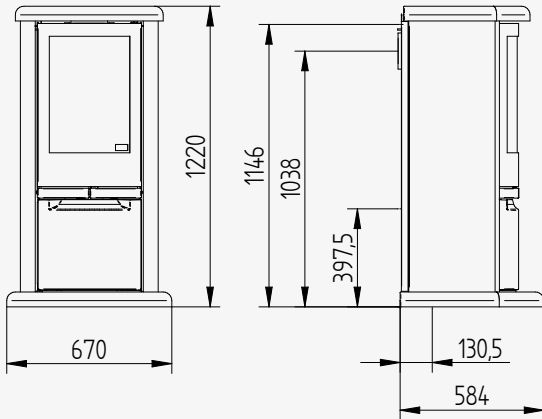


A+

COSMO CLASSIC

Min./max. output 3 - 8 kW
 Mean CO-emission 0,06 %
 Recommended chimney draft..... 12 pa
 Weight 377 kg
 Smoke outlet Ø 150 mm
 Diameter of fresh air intake Ø 100 mm - Optional mm
 Combustion chamber 415 x 365 x 325 mm

Efficiency 80%
 Flue gas mass flow 6 G/S
 Flue gas temperature 286 C
 Dust emission 6 mg
 BImSchV Stufe 2 ✓
 Defra / Area Smoke Control ✓
 §15A ✓



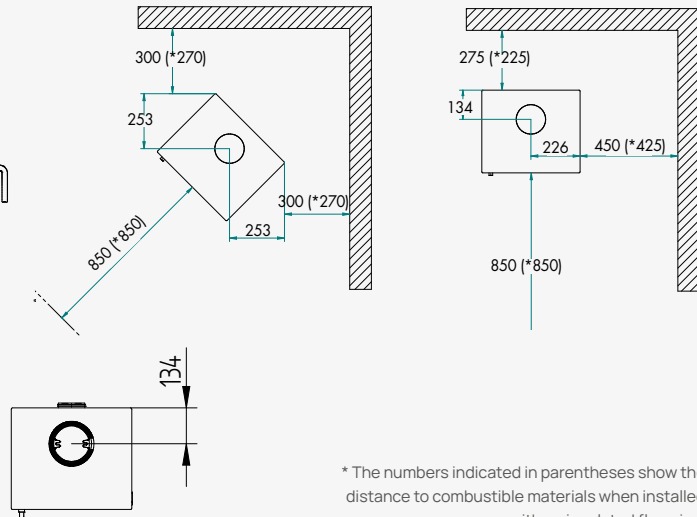
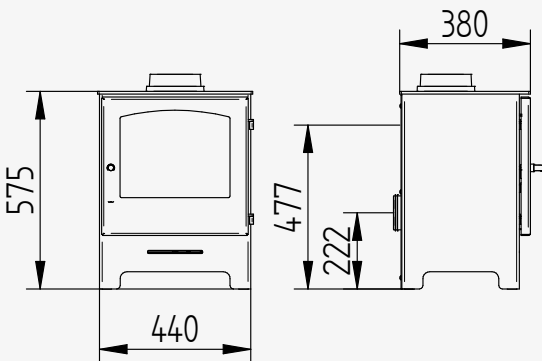
* The numbers indicated in parentheses show the distance to combustible materials when installed with an insulated flue pipe.

A

COUNTRY 575 STEEL

Min./max. output 3 - 5 kW
 Mean CO-emission 0,10 %
 Recommended chimney draft..... 12 pa
 Weight 94 kg
 Smoke outlet Ø 150 mm
 Diameter of fresh air intake Ø 100 mm - Optional
 Combustion chamber 250 x 342 x 282 mm

Efficiency 81 %
 Flue gas mass flow 4,1 G/S
 Flue gas temperature 258 C
 Dust emission 28 mg
 BImSchV Stufe 2 ✓
 Defra / Area Smoke Control ✓



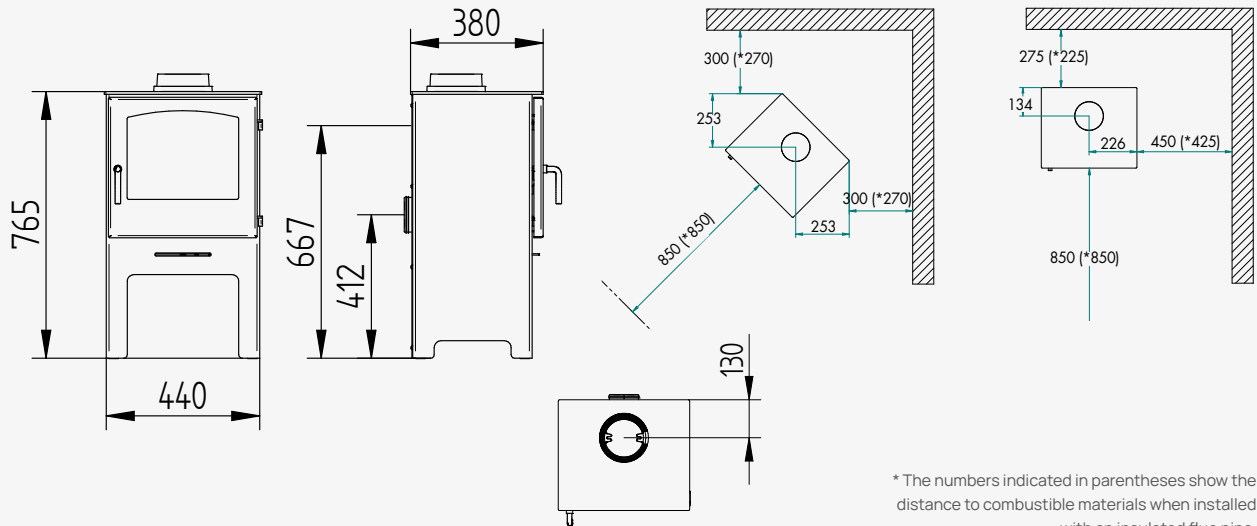
* The numbers indicated in parentheses show the distance to combustible materials when installed with an insulated flue pipe.

A

COUNTRY 765 STEEL

Min./max. output 3 - 5 kW
 Mean CO-emission 0,10 %
 Recommended chimney draft 12 pa
 Weight 100 kg
 Smoke outlet Ø 150 mm
 Diameter of fresh air intake Ø 100 mm - Optional
 Combustion chamber 250 x 342 x 282 mm

Efficiency 81 %
 Flue gas mass flow 4,1 G/S
 Flue gas temperature 258 C
 Dust emission 28 mg
 BlmSchV Stufe 2 ✓
 Defra / Area Smoke Control ✓



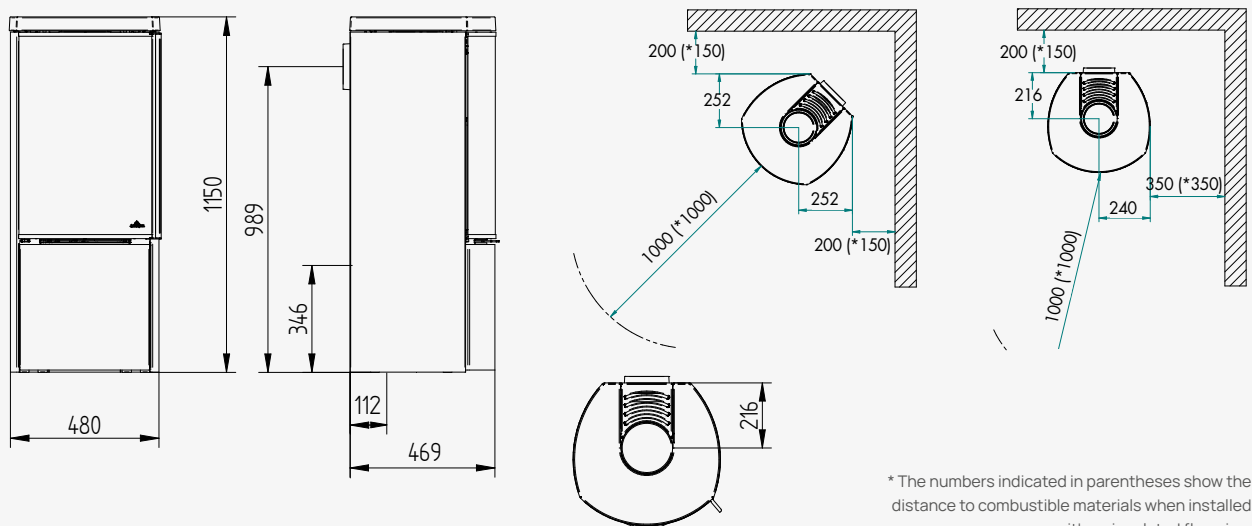
* The numbers indicated in parentheses show the distance to combustible materials when installed with an insulated flue pipe.

A+

COZY STEEL

Min./max. output 3 - 8 kW
 Mean CO-emission 0,06 %
 Recommended chimney draft 12 pa
 Weight 142 kg
 Smoke outlet Ø 150 mm
 Diameter of fresh air intake Ø 100 mm - Optional
 Combustion chamber 415 x 365 x 325 mm

Efficiency 80 %
 Flue gas mass flow 6 G/S
 Flue gas temperature 286 C
 Dust emission 6 mg
 BlmSchV Stufe 2 ✓
 Defra / Area Smoke Control ✓
 §15A ✓

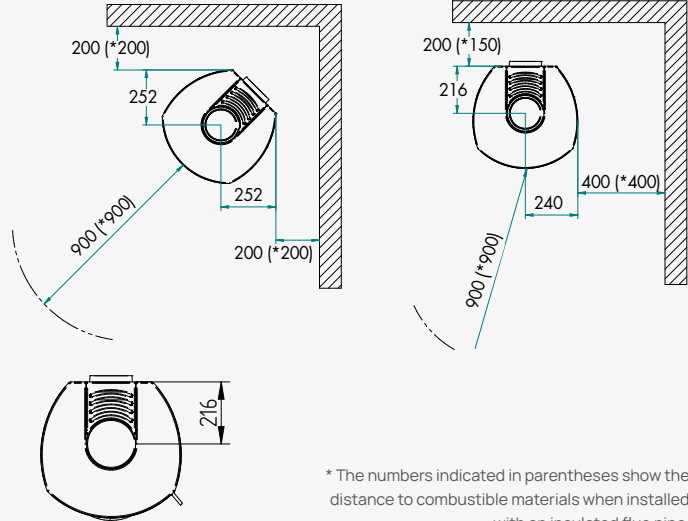
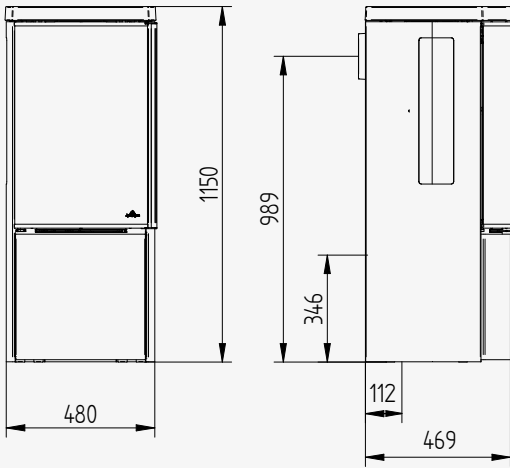


* The numbers indicated in parentheses show the distance to combustible materials when installed with an insulated flue pipe.

A+

COZY STEEL W/SIDE GLASS

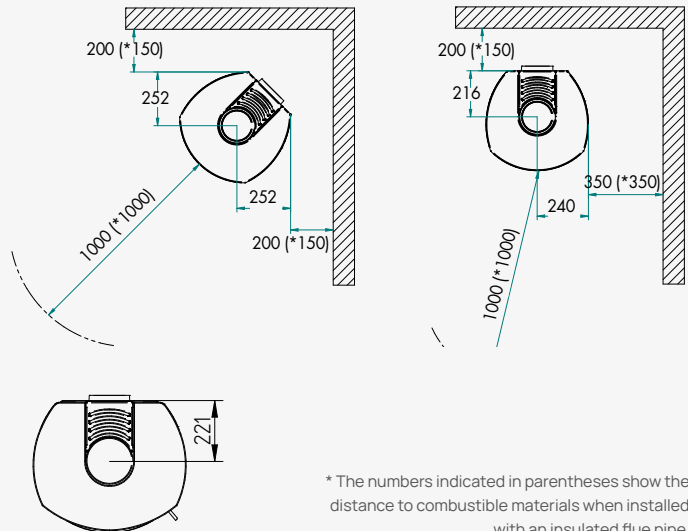
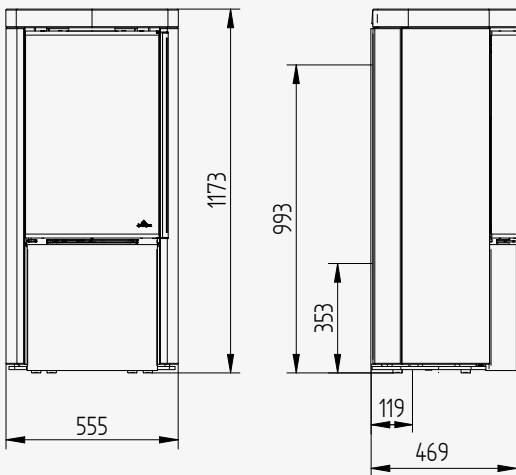
| | | | |
|-----------------------------------|---------------------|----------------------------------|-------|
| Min./max. output | 3 - 8 kW | Efficiency | 80% |
| Mean CO-emission | 0,06% | Flue gas mass flow | 6 G/S |
| Recommended chimney draft..... | 12 pa | Flue gas temperature | 286 C |
| Weight | 140 kg | Dust emission | 6 mg |
| Smoke outlet | Ø 150 mm | BlmSchV Stufe 2 | ✓ |
| Diameter of fresh air intake | Ø 100 mm - Optional | Defra / Area Smoke Control | ✓ |
| Combustion chamber | 415 x 365 x 325 mm | §15A..... | ✓ |



A+

COZY STONE

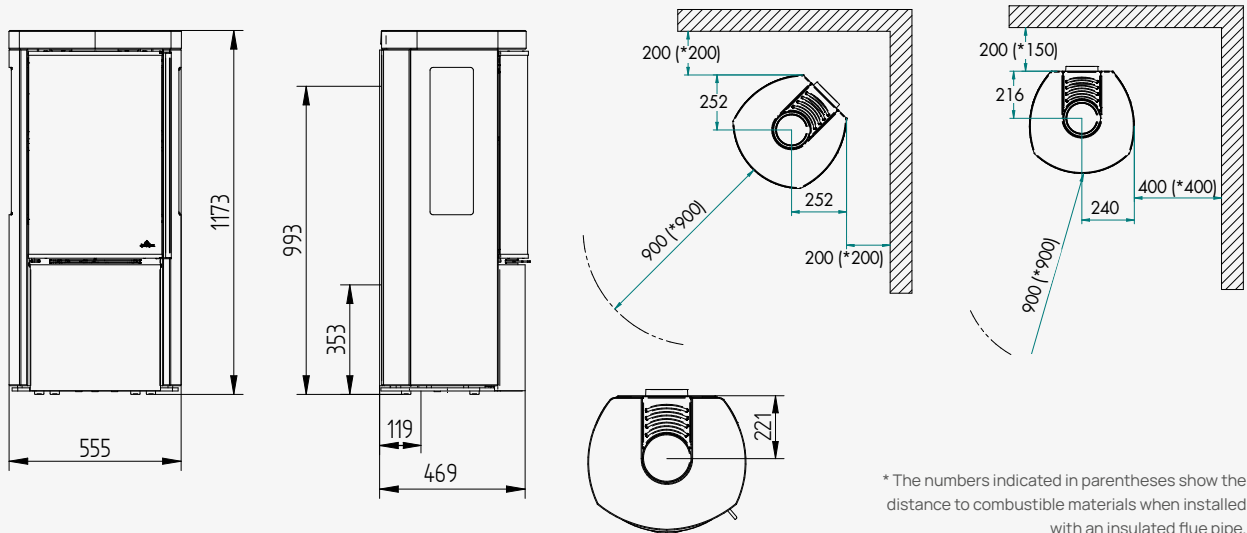
| | | | |
|-----------------------------------|---------------------|----------------------------------|-------|
| Min./max. output | 3 - 8 kW | Efficiency | 80% |
| Mean CO-emission | 0,06% | Flue gas mass flow | 6 G/S |
| Recommended chimney draft..... | 12 pa | Flue gas temperature | 286 C |
| Weight | 313 kg | Dust emission | 6 mg |
| Smoke outlet | Ø 150 mm | BlmSchV Stufe 2 | ✓ |
| Diameter of fresh air intake | Ø 100 mm - Optional | Defra / Area Smoke Control | ✓ |
| Combustion chamber | 415 x 365 x 325 mm | §15A..... | ✓ |



A+

COZY STONE W/SIDE GLASS

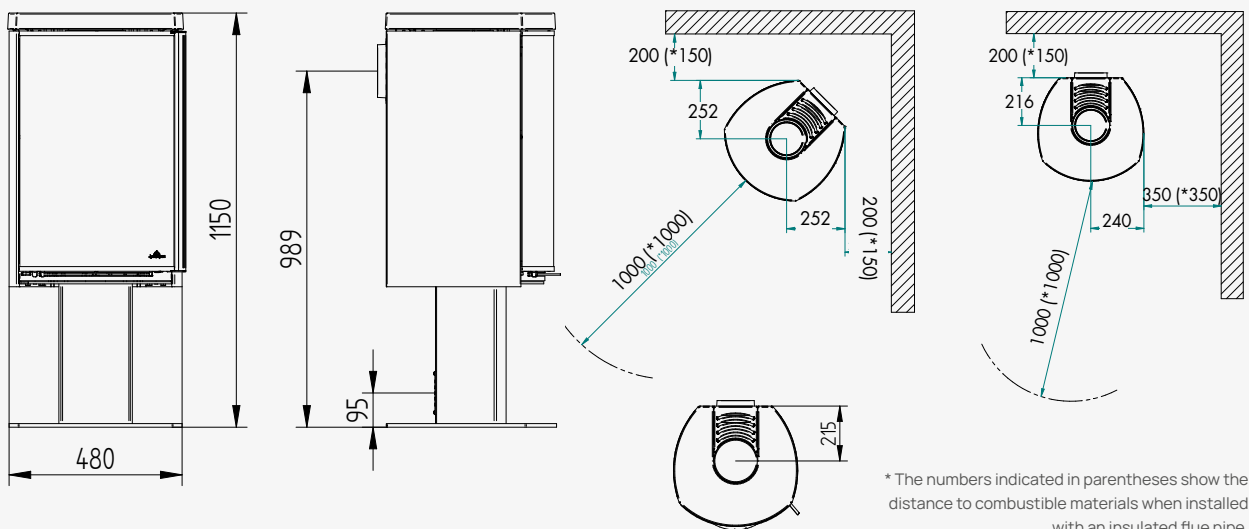
| | | | |
|-----------------------------------|---------------------|----------------------------------|-------|
| Min./max. output | 3 - 8 kW | Efficiency | 80% |
| Mean CO-emission | 0,06% | Flue gas mass flow | 6 G/S |
| Recommended chimney draft | 12 pa | Flue gas temperature | 286 C |
| Weight | 282 kg | Dust emission | 6 mg |
| Smoke outlet | Ø 150 mm | BlmSchV Stufe 2 | ✓ |
| Diameter of fresh air intake | Ø 100 mm - Optional | Defra / Area Smoke Control | ✓ |
| Combustion chamber | 415 x 365 x 325 mm | §15A..... | ✓ |



A+

COZY BASE

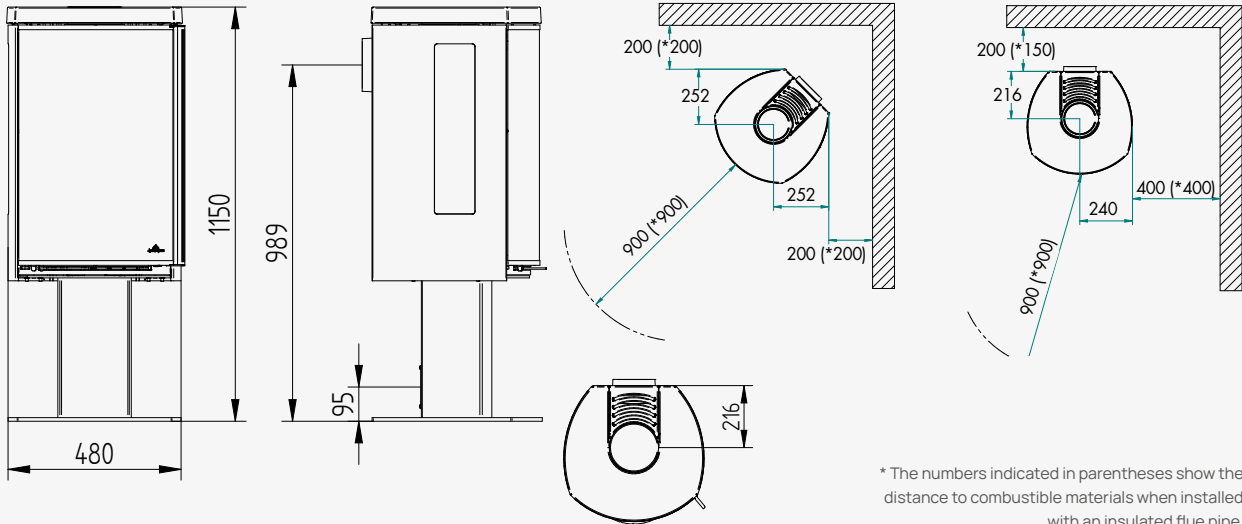
| | | | |
|-----------------------------------|---------------------|----------------------------------|-------|
| Min./max. output | 3 - 8 kW | Efficiency | 80% |
| Mean CO-emission | 0,06% | Flue gas mass flow | 6 G/S |
| Recommended chimney draft | 12 pa | Flue gas temperature | 286 C |
| Weight | 140 kg | Dust emission | 6 mg |
| Smoke outlet | Ø 150 mm | BlmSchV Stufe 2 | ✓ |
| Diameter of fresh air intake | Ø 100 mm - Optional | Defra / Area Smoke Control | ✓ |
| Combustion chamber | 415 x 365 x 325 mm | §15A..... | ✓ |



A+

COZY BASE W/SIDE GLASS

| | | | |
|-----------------------------------|---------------------|----------------------------------|-------|
| Min./max. output | 3 - 8 kW | Efficiency | 80% |
| Mean CO-emission | 0,06% | Flue gas mass flow | 6 G/S |
| Recommended chimney draft..... | 12 pa | Flue gas temperature | 286 C |
| Weight | 138 kg | Dust emission | 6 mg |
| Smoke outlet | Ø 150 mm | BlmSchV Stufe 2 | ✓ |
| Diameter of fresh air intake | Ø 100 mm - Optional | Defra / Area Smoke Control | ✓ |
| Combustion chamber | 415 x 365 x 325 mm | §15A..... | ✓ |

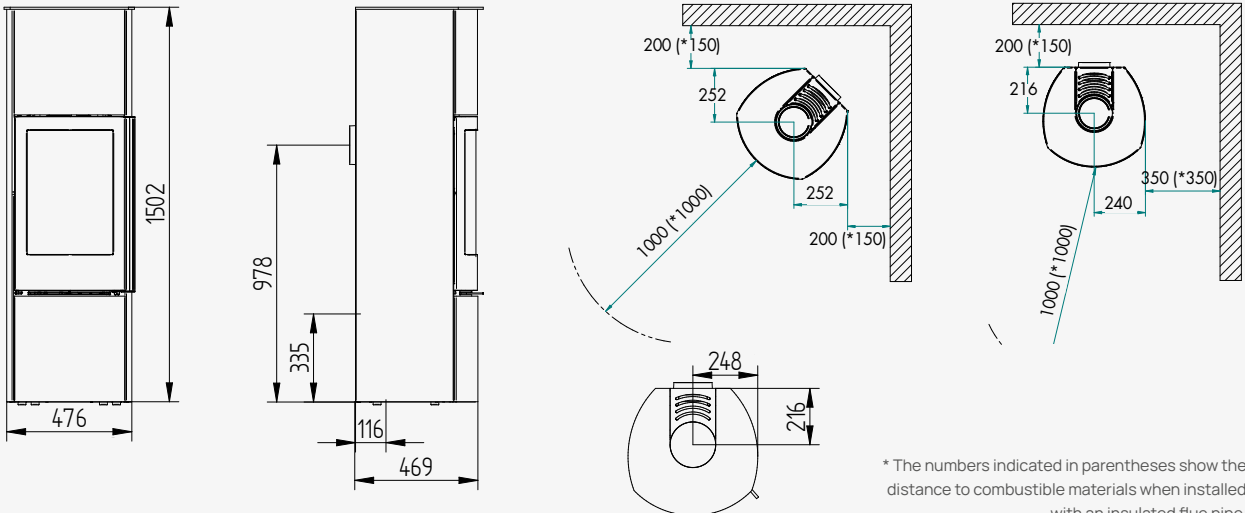


* The numbers indicated in parentheses show the distance to combustible materials when installed with an insulated flue pipe.

A+

COZY HIGH

| | | | |
|-----------------------------------|---------------------|----------------------------------|-------|
| Min./max. output | 3 - 8 kW | Efficiency | 80% |
| Mean CO-emission | 0,06% | Flue gas mass flow | 6 G/S |
| Recommended chimney draft..... | 12 pa | Flue gas temperature | 286 C |
| Weight | 150 kg | Dust emission | 6 mg |
| Smoke outlet | Ø 150 mm | BlmSchV Stufe 2 | ✓ |
| Diameter of fresh air intake | Ø 100 mm - Optional | Defra / Area Smoke Control | ✓ |
| Combustion chamber | 415 x 365 x 325 mm | §15A..... | ✓ |
| Accumulation stone..... | 45 kg. - Optional | | |



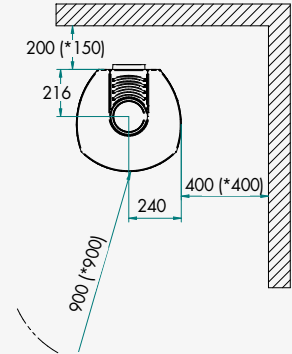
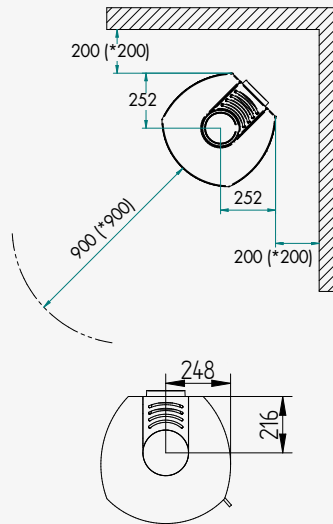
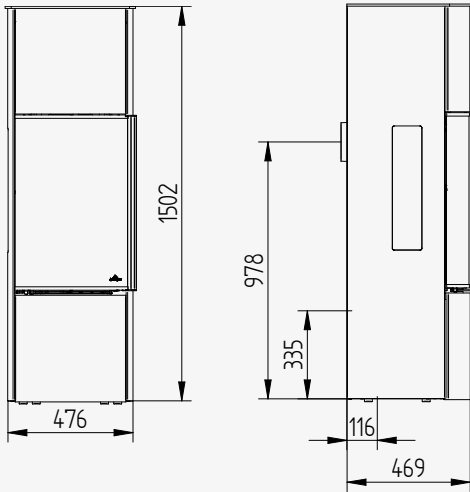
* The numbers indicated in parentheses show the distance to combustible materials when installed with an insulated flue pipe.

A+

COZY HIGH W/SIDE GLASS

Min./max. output 3 - 8 kW
 Mean CO-emission 0,06%
 Recommended chimney draft 12 pa
 Weight 148 kg
 Smoke outlet Ø 150 mm
 Accumulation stone 45 kg. - Optional
 Diameter of fresh air intake Ø 100 mm - Optional
 Combustion chamber 415 x 365 x 325 mm

Efficiency 80%
 Flue gas mass flow 6 G/S
 Flue gas temperature 286 C
 Dust emission 6 mg
 BlmSchV Stufe 2 ✓
 Defra / Area Smoke Control ✓
 §15A ✓



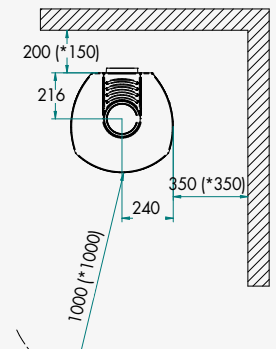
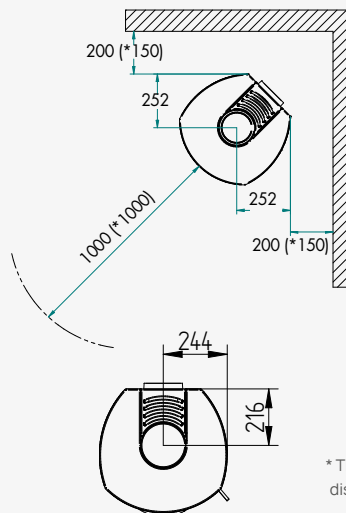
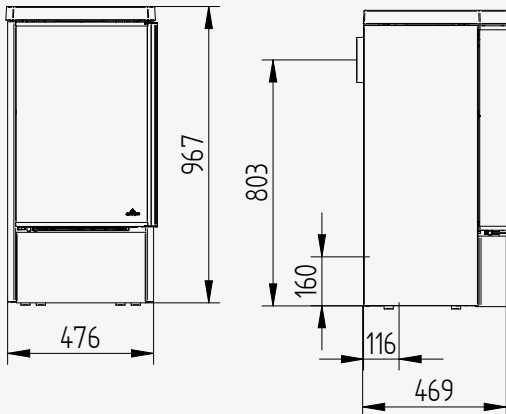
* The numbers indicated in parentheses show the distance to combustible materials when installed with an insulated flue pipe.

A+

COZY LOW

Min./max. output 3 - 8 kW
 Mean CO-emission 0,06%
 Recommended chimney draft 12 pa
 Weight 131 kg
 Smoke outlet Ø 150 mm
 Diameter of fresh air intake Ø 100 mm - Optional
 Combustion chamber 415 x 365 x 325 mm

Efficiency 80%
 Flue gas mass flow 6 G/S
 Flue gas temperature 286 C
 Dust emission 6 mg
 BlmSchV Stufe 2 ✓
 Defra / Area Smoke Control ✓
 §15A ✓



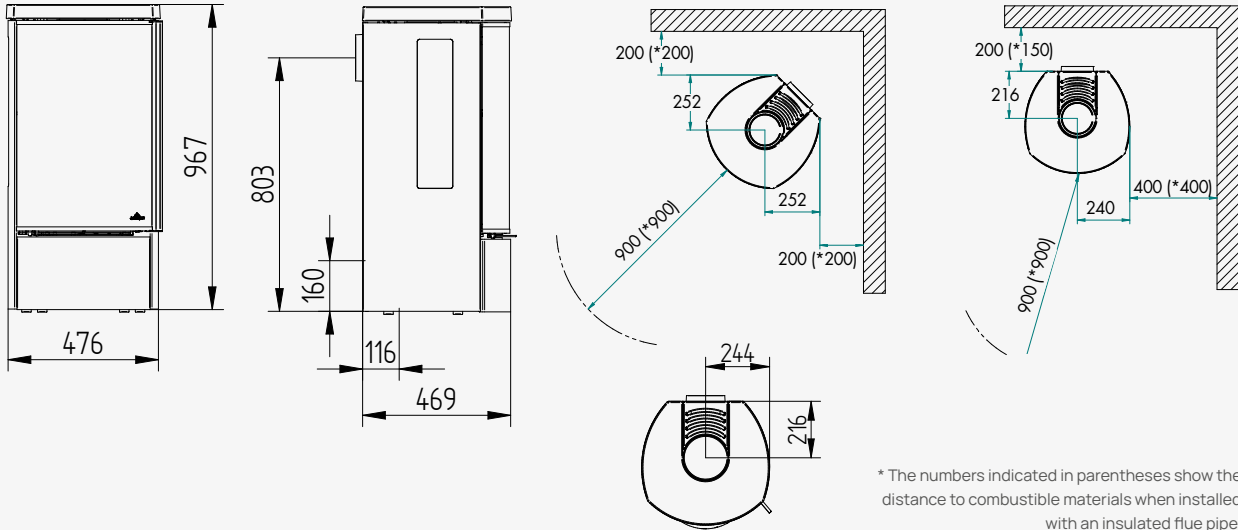
* The numbers indicated in parentheses show the distance to combustible materials when installed with an insulated flue pipe.

A+

COZY LOW W/SIDE GLASS

Min./max. output 3 - 8 kW
 Mean CO-emission 0,06%
 Recommended chimney draft 12 pa
 Weight 129 kg
 Smoke outlet Ø 150 mm
 Diameter of fresh air intake Ø 100 mm - Optional
 Combustion chamber 415 x 365 x 325 mm

Efficiency 80%
 Flue gas mass flow 6 G/S
 Flue gas temperature 286 C
 Dust emission 6 mg
 BImSchV Stufe 2 ✓
 Defra / Area Smoke Control ✓
 §15A ✓



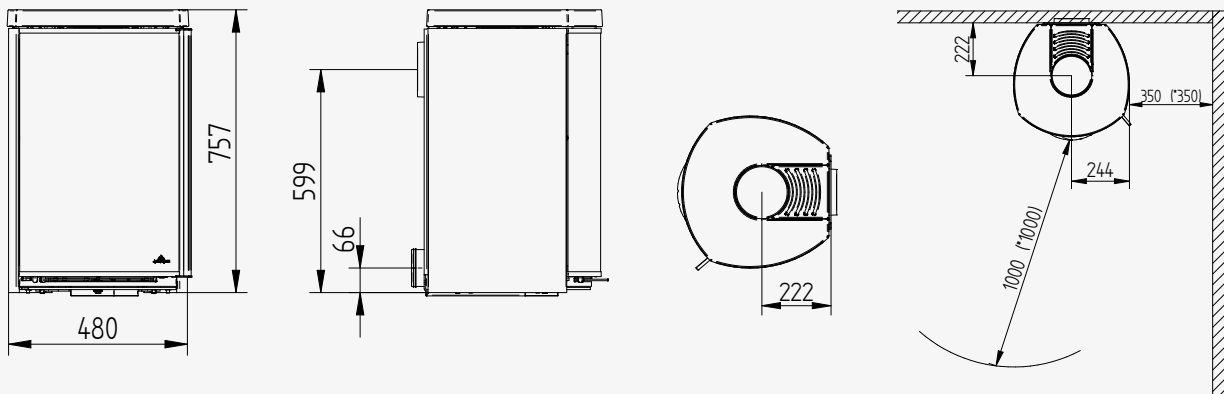
* The numbers indicated in parentheses show the distance to combustible materials when installed with an insulated flue pipe.

A+

COZY WALL

Min./max. output 3 - 8 kW
 Mean CO-emission 0,06%
 Recommended chimney draft 12 pa
 Weight 108 kg
 Smoke outlet Ø 150 mm
 Diameter of fresh air intake Ø 100 mm - Optional
 Combustion chamber 415 x 365 x 325 mm

Efficiency 80%
 Flue gas mass flow 6 G/S
 Flue gas temperature 286 C
 Dust emission 6 mg
 BImSchV Stufe 2 ✓
 Defra / Area Smoke Control ✓
 §15A ✓



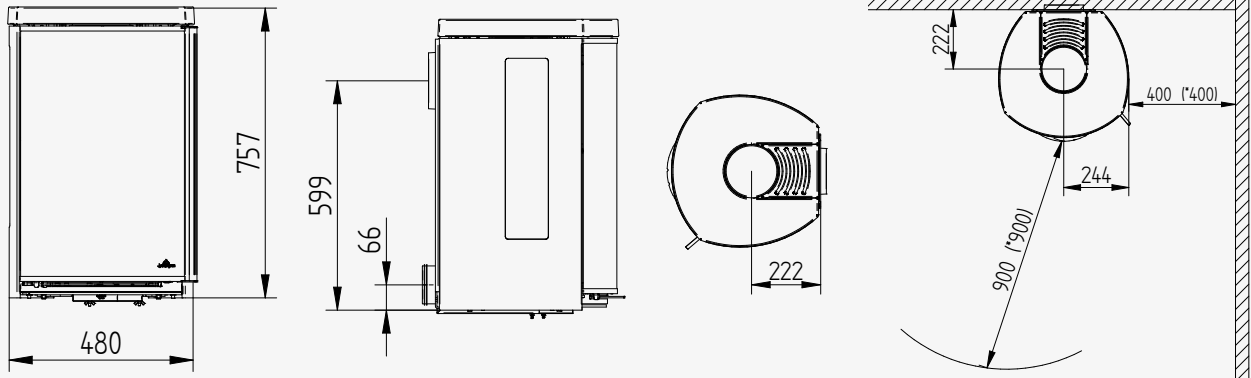
* The numbers indicated in parentheses show the distance to combustible materials when installed with an insulated flue pipe.

A+

COZY WALL W/SIDE GLASS

Min./max. output 3 - 8 kW
 Mean CO-emission 0,06%
 Recommended chimney draft 12 pa
 Weight 107 kg
 Smoke outlet Ø 150 mm
 Diameter of fresh air intake Ø 100 mm - Optional
 Combustion chamber 415 x 365 x 325 mm

Efficiency 80%
 Flue gas mass flow 6 G/S
 Flue gas temperature 286 C
 Dust emission 6 mg
 BlmSchV Stufe 2 ✓
 Defra / Area Smoke Control ✓
 §15A ✓



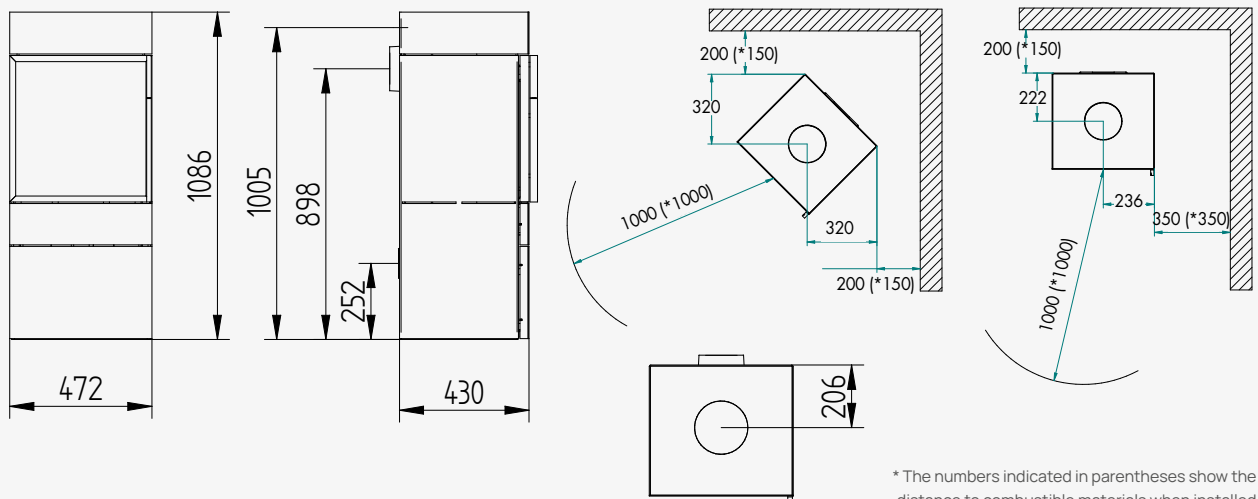
* The numbers indicated in parentheses show the distance to combustible materials when installed with an insulated flue pipe.

A+

CUBIC 109

Min./max. output 3 - 8 kW
 Mean CO-emission 0,06 %
 Recommended chimney draft 12 pa
 Weight 134 kg
 Smoke outlet Ø 150 mm
 Diameter of fresh air intake Ø 100 mm - Optional
 Combustion chamber 415 x 365 x 325 mm

Efficiency 80%
 Flue gas mass flow 6 G/S
 Flue gas temperature 286 C
 Dust emission 6 mg
 BlmSchV Stufe 2 ✓
 Defra / Area Smoke Control ✓
 §15A ✓



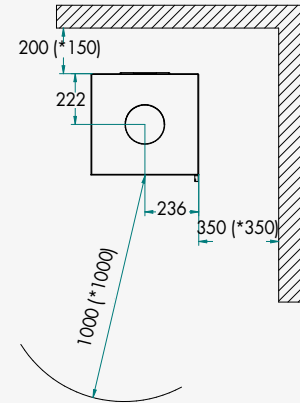
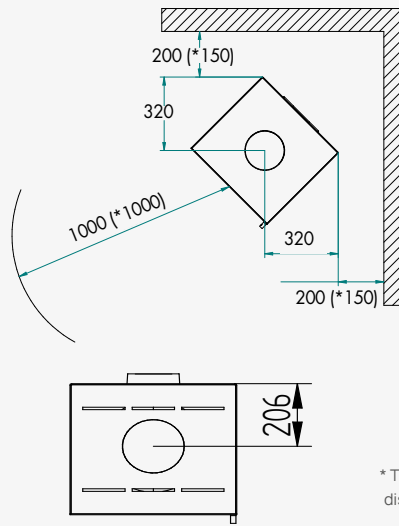
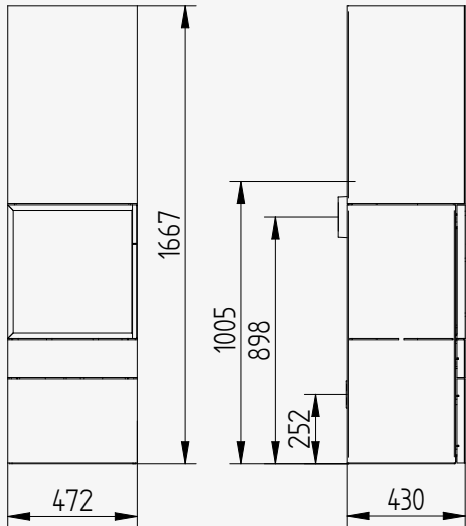
* The numbers indicated in parentheses show the distance to combustible materials when installed with an insulated flue pipe.

A+

CUBIC 166

Min./max. output 3 - 8 kW
 Mean CO-emission 0,06 %
 Recommended chimney draft..... 12 pa
 Weight 179 kg
 Smoke outlet Ø 150 mm
 Diameter of fresh air intake Ø 100 mm - Optional
 Combustion chamber 415 x 365 x 325 mm

Efficiency 80%
 Flue gas mass flow 6 G/S
 Flue gas temperature 286 C
 Dust emission 6 mg
 BImSchV Stufe 2 ✓
 Defra / Area Smoke Control ✓
 §15A..... ✓



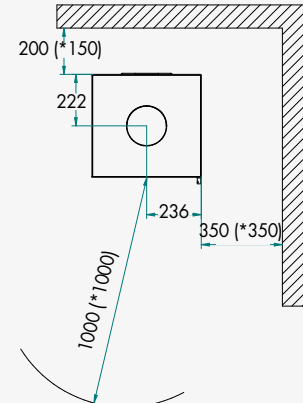
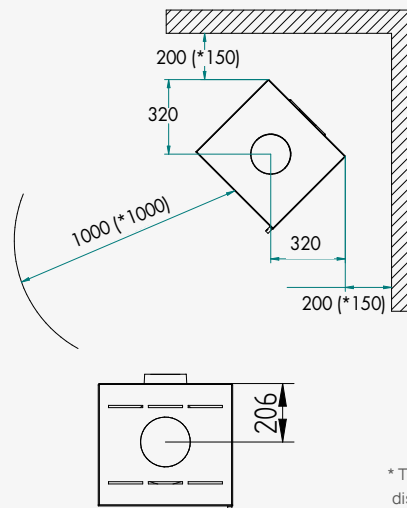
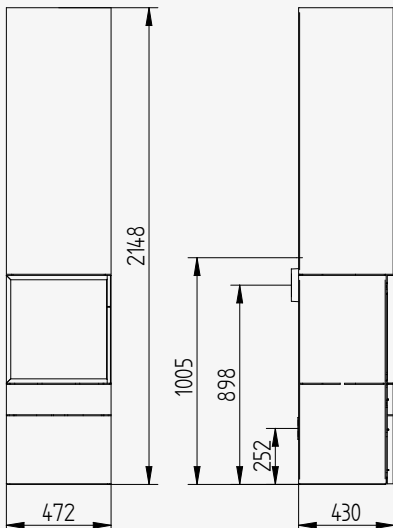
* The numbers indicated in parentheses show the distance to combustible materials when installed with an insulated flue pipe.

A+

CUBIC 215

Min./max. output 3 - 8 kW
 Mean CO-emission 0,06 %
 Recommended chimney draft..... 12 pa
 Weight 199 kg
 Smoke outlet Ø 150 mm
 Diameter of fresh air intake Ø 100 mm - Optional
 Combustion chamber 415 x 365 x 325 mm

Efficiency 80%
 Flue gas mass flow 6 G/S
 Flue gas temperature 286 C
 Dust emission 6 mg
 BImSchV Stufe 2 ✓
 Defra / Area Smoke Control ✓
 §15A..... ✓

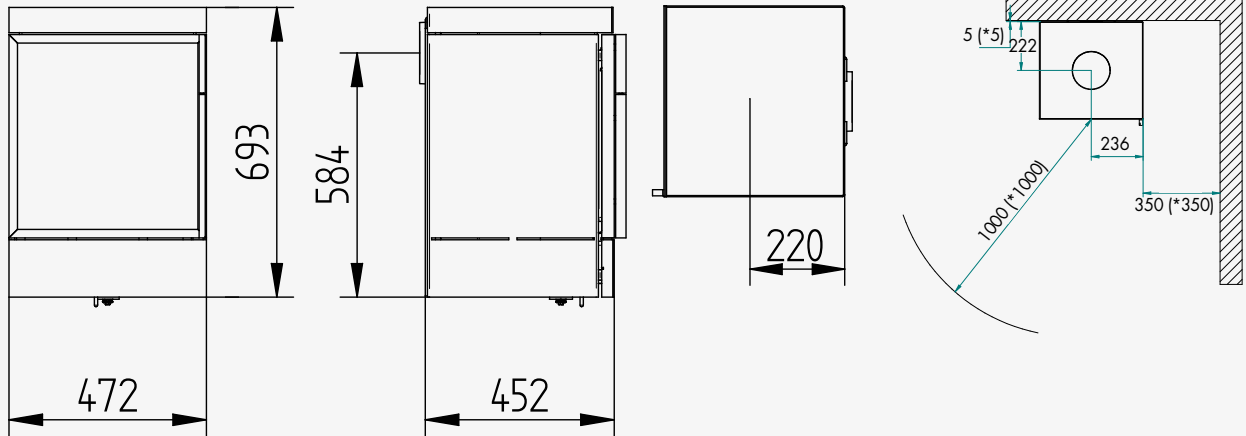


* The numbers indicated in parentheses show the distance to combustible materials when installed with an insulated flue pipe.

A+

CUBIC WALL

| | | | |
|---------------------------------|--------------------|----------------------------------|-------|
| Min./max. output | 3 - 8 kW | Flue gas mass flow | 6 G/S |
| Mean CO-emission | 0,06 % | Flue gas temperature | 286 C |
| Recommended chimney draft | 12 pa | Dust emission | 6 mg |
| Weight | 113 kg | BlmSchV Stufe 2 | ✓ |
| Smoke outlet | Ø 150 mm | Defra / Area Smoke Control | ✓ |
| Combustion chamber | 415 x 365 x 325 mm | §15A | ✓ |
| Efficiency | 80% | | |

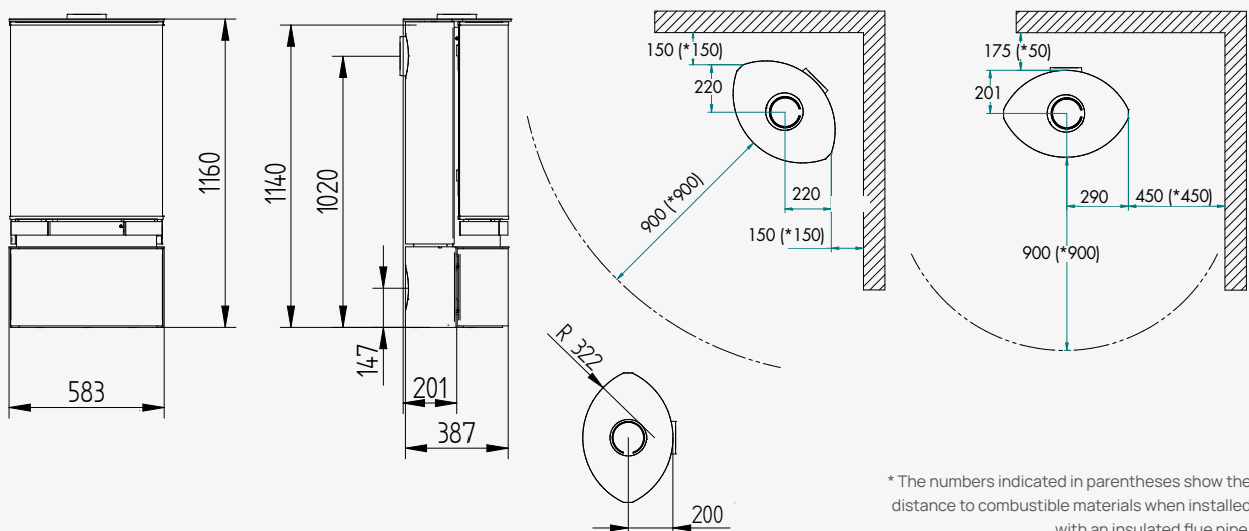


* The numbers indicated in parentheses show the distance to combustible materials when installed with an insulated flue pipe.

A

ELEGANCE CLASSIC

| | | | |
|-----------------------------------|---------------------|----------------------------|---------|
| Min./max. output | 4 - 8 kW | Efficiency | 75% |
| Mean CO-emission | 0,06 % | Flue gas mass flow | 6,7 G/S |
| Recommended chimney draft | 12 pa | Flue gas temperature | 340 C |
| Weight | 144 kg | Dust emission | 10 mg |
| Smoke outlet | Ø 150 mm | BlmSchV Stufe 2 | ✓ |
| Diameter of fresh air intake | Ø 100 mm - Optional | §15A | ✓ |
| Combustion chamber | 485 x 446 x 274 mm | | |



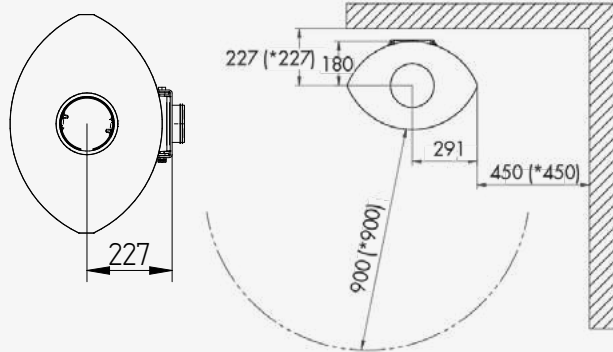
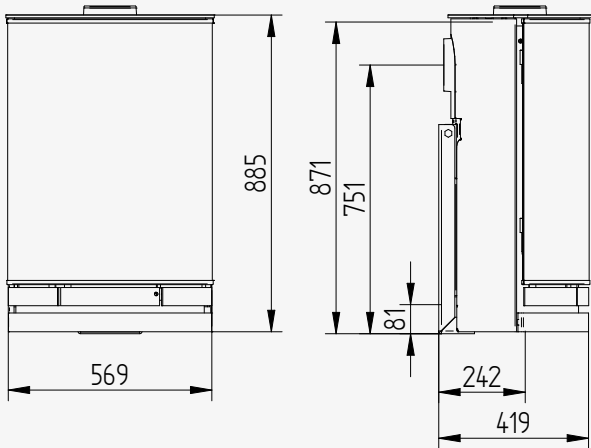
* The numbers indicated in parentheses show the distance to combustible materials when installed with an insulated flue pipe.

A

ELEGANCE CLASSIC WALL

Min./max. output 4 - 8 kW
 Mean CO-emission 0,06 %
 Recommended chimney draft 12 pa
 Weight 122 kg
 Smoke outlet Ø 150 mm
 Diameter of fresh air intake Ø 100 mm - Optional
 Combustion chamber 485 x 446 x 274 mm

Efficiency 75%
 Flue gas mass flow 6,7 G/S
 Flue gas temperature 340 C
 Dust emission 10 mg
 BImSchV Stufe 2 ✓
 §15A ✓



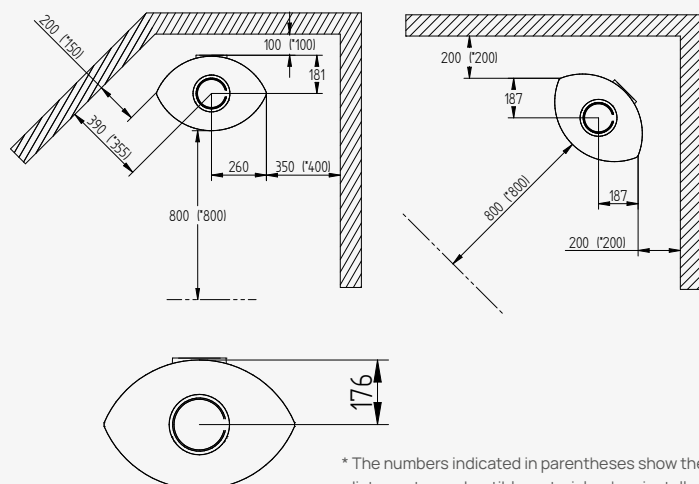
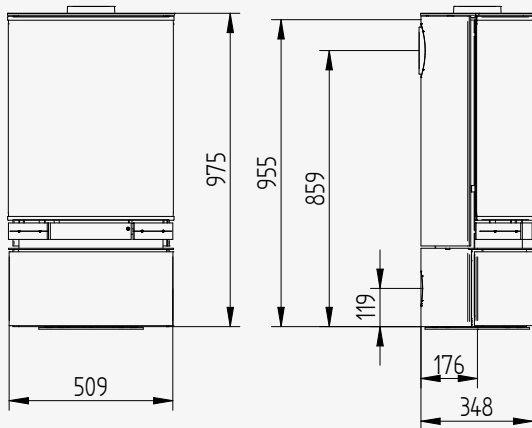
* The numbers indicated in parentheses show the distance to combustible materials when installed with an insulated flue pipe.

A

ELEGANCE JUNIOR

Min./max. output 3 - 5 kW
 Mean CO-emission 0,09 %
 Recommended chimney draft 12 pa
 Weight 116 kg
 Smoke outlet Ø 150 mm
 Diameter of fresh air intake Ø 80 mm
 Combustion chamber 416 x 381 x 221 mm
 Efficiency 76%

Flue gas mass flow 5,3 G/S
 Flue gas temperature 261 C
 Dust emission 8 mg
 BImSchV Stufe 2 ✓
 DIBt / RLU ✓
 Defra / Area Smoke Control ✓
 §15A ✓

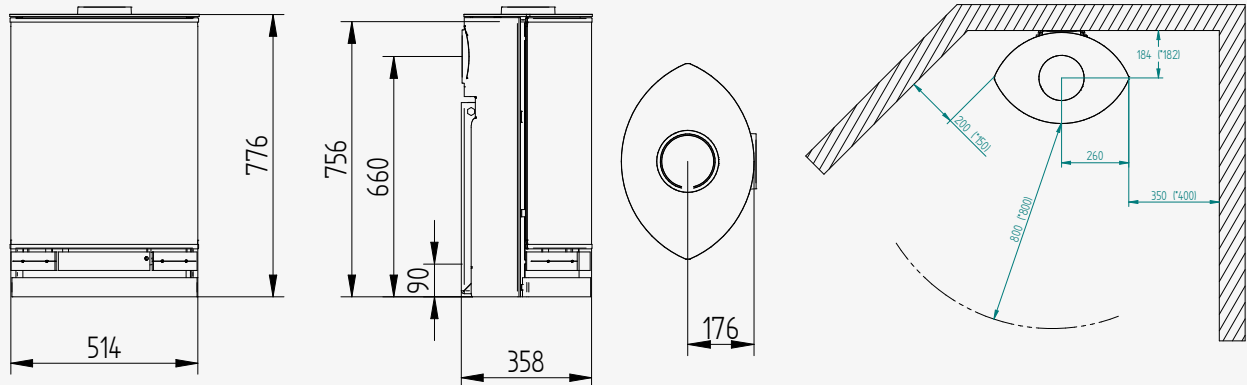


* The numbers indicated in parentheses show the distance to combustible materials when installed with an insulated flue pipe.

A+

ELEGANCE JUNIOR WALL

| | | | |
|---|---------------------|----------------------------------|---------|
| Min./max. output | 3 - 5 kW | Efficiency | 76% |
| Mean CO-emission | 0,09 % | Flue gas mass flow | 5,3 G/S |
| Recommended chimney draft | 12 pa | Flue gas temperature | 261 C |
| Weight | 91 kg | Dust emission | 8 mg |
| Smoke outlet | Ø 150 mm | BlmSchV Stufe 2 | ✓ |
| Diameter of fresh air intake nenedud: | Ø 80 mm | DIBt / RLU | ✓ |
| Diameter of fresh air intake bagud:..... | Ø 100 mm - Optional | Defra / Area Smoke Control | ✓ |
| Combustion chamber | 416 x 381 x 221 mm | §15A..... | ✓ |

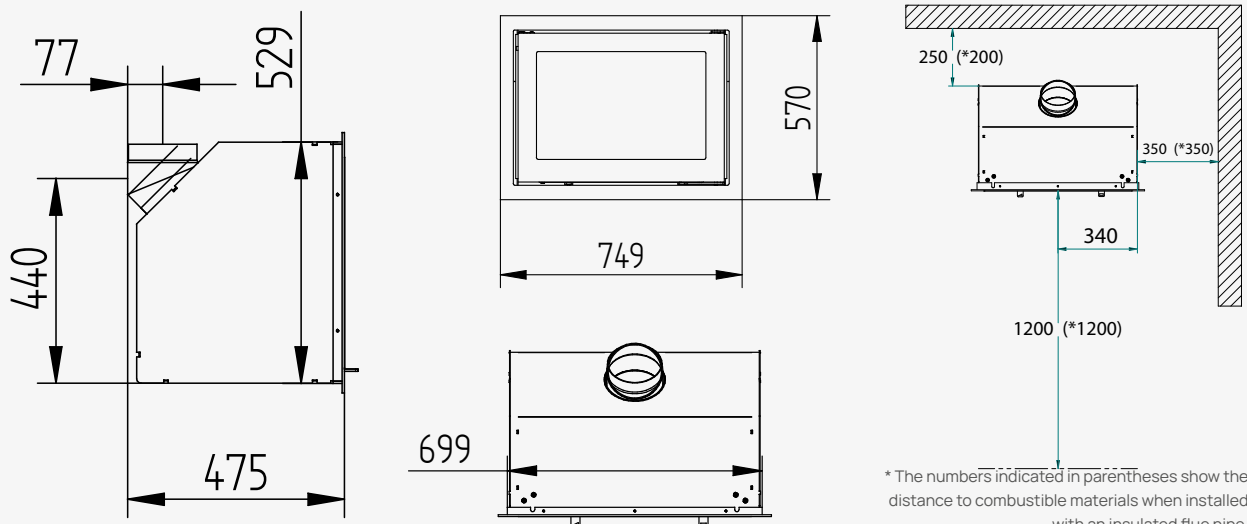


* The numbers indicated in parentheses show the distance to combustible materials when installed with an insulated flue pipe.

A

JYDEPEJS H530

| | | | |
|-----------------------------------|---------------------|----------------------------|---------------|
| Min./max. output | 4 - 9 kW | Min. indbygningsmål | B 714 x H 544 |
| Mean CO-emission | 0,08 % | Efficiency | 75 % |
| Recommended chimney draft | 12 pa | Flue gas mass flow | 7,5 G/S |
| Weight | 91 kg | Flue gas temperature | 337 C |
| Smoke outlet | Ø 150 mm | Dust emission | 28 mg |
| Diameter of fresh air intake | Ø 100 mm - Optional | BlmSchV Stufe 2 | ✓ |
| Combustion chamber | 350 x 600 x 300 mm | | |

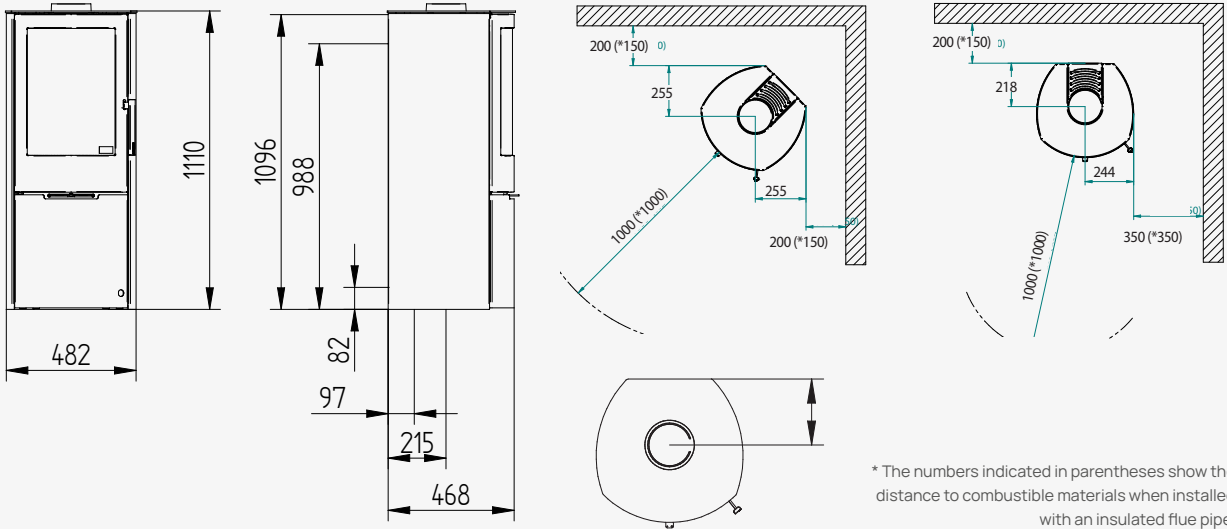


* The numbers indicated in parentheses show the distance to combustible materials when installed with an insulated flue pipe.

A+

MIDO STEEL

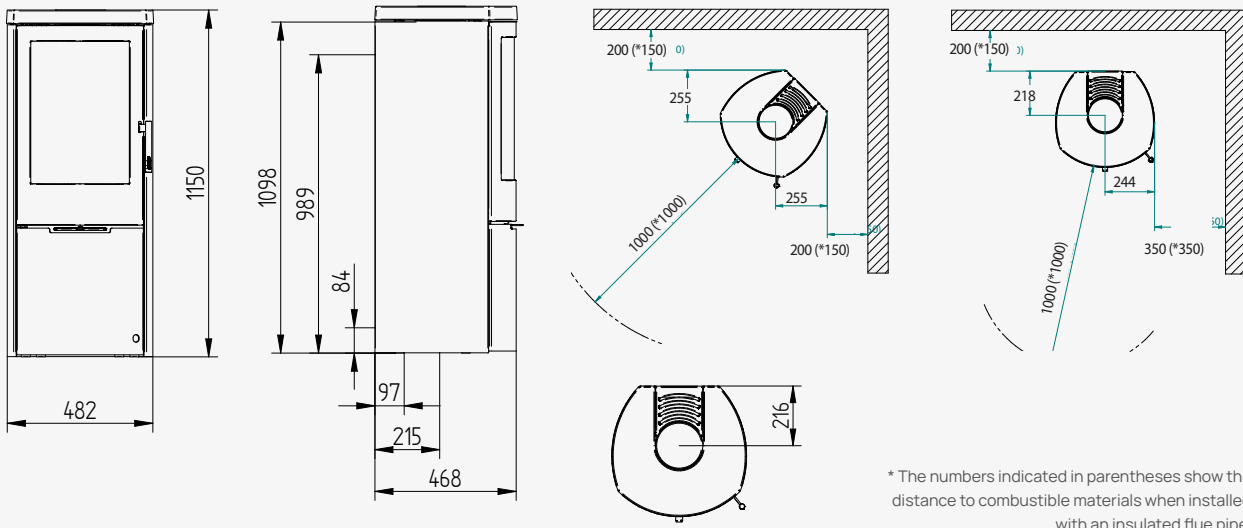
| | | | |
|------------------------------------|---------------------|----------------------------------|-------|
| Min./max. output | 3 - 8 kW | Efficiency | 80% |
| Mean CO-emission | 0,06 % | Flue gas mass flow | 6 G/S |
| Recommended chimney draft..... | 12 pa | Flue gas temperature | 286 C |
| Weight | 136 kg | Dust emission | 6 mg |
| Smoke outlet | Ø 150 mm | BImSchV Stufe 2 | ✓ |
| Diameter of fresh air intake | Ø 100 mm - Optional | Defra / Area Smoke Control | ✓ |
| Combustion chamber | 415 x 365 x 325 mm | §15A..... | ✓ |



A+

MIDO STEEL CAST IRON TOP

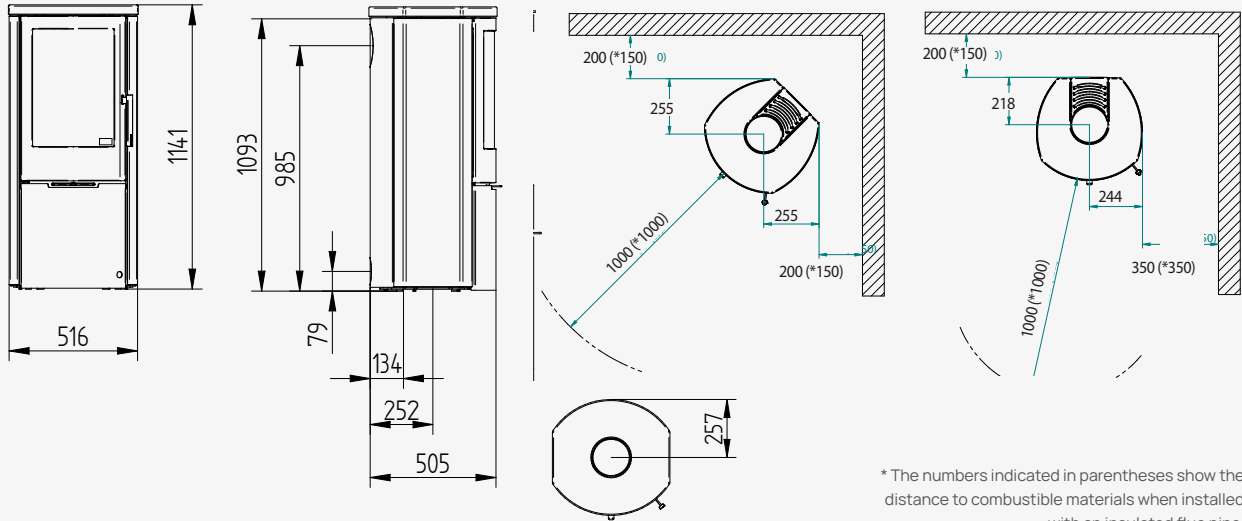
| | | | |
|------------------------------------|---------------------|----------------------------------|-------|
| Min./max. output | 3 - 8 kW | Efficiency | 80% |
| Mean CO-emission | 0,06 % | Flue gas mass flow | 6 G/S |
| Recommended chimney draft..... | 12 pa | Flue gas temperature | 286 C |
| Weight | 140 kg | Dust emission | 6 mg |
| Smoke outlet | Ø 150 mm | BImSchV Stufe 2 | ✓ |
| Diameter of fresh air intake | Ø 100 mm - Optional | Defra / Area Smoke Control | ✓ |
| Combustion chamber | 415 x 365 x 325 mm | §15A..... | ✓ |



A+

MIDO SOAPSTONE

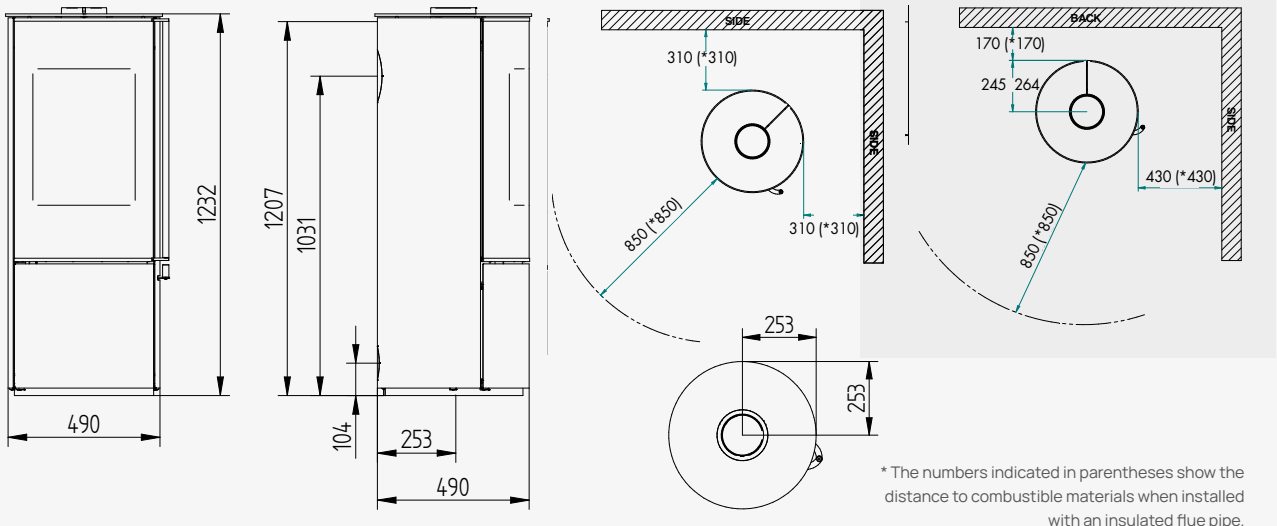
| | | | |
|------------------------------------|---------------------|----------------------------------|-------|
| Min./max. output | 3 - 8 kW | Efficiency | 80% |
| Mean CO-emission | 0,06 % | Flue gas mass flow | 6 G/S |
| Recommended chimney draft..... | 12 pa | Flue gas temperature | 286 C |
| Weight | 215 kg | Dust emission | 6 mg |
| Smoke outlet | Ø 150 mm | BlmSchV Stufe 2 | ✓ |
| Diameter of fresh air intake | Ø 100 mm - Optional | Defra / Area Smoke Control | ✓ |
| Combustion chamber | 415 x 365 x 325 mm | §15A..... | ✓ |



A

OMEGA BASIC

| | | | |
|------------------------------------|--------------------|----------------------------------|---------|
| Min./max. output | 3 - 8 kW | Flue gas mass flow | 6,4 G/S |
| Mean CO-emission | 0,09 % | Flue gas temperature | 291 C |
| Recommended chimney draft..... | 12 pa | Dust emission | 15 mg |
| Weight | 144 kg | BlmSchV Stufe 2 | ✓ |
| Smoke outlet | Ø 150 mm | DIBt / RLU | ✓ |
| Diameter of fresh air intake | Ø 100 mm | Defra / Area Smoke Control | ✓ |
| Combustion chamber | 412 x 368 x 407 mm | §15A..... | ✓ |
| Efficiency | 79% | | |

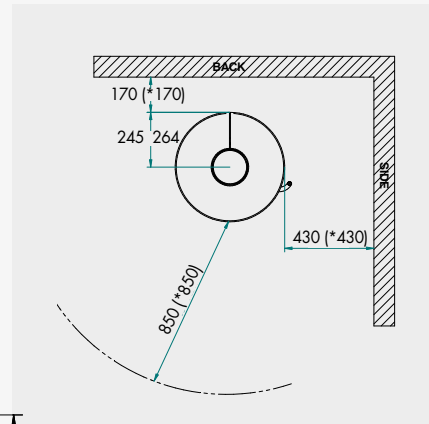
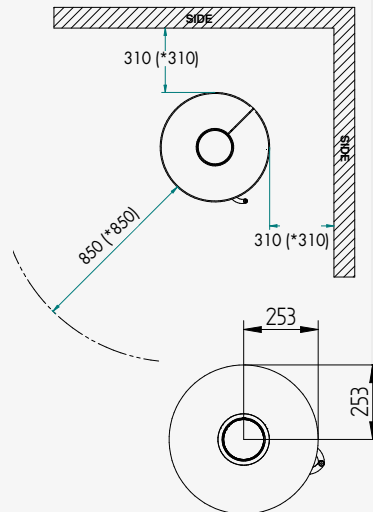
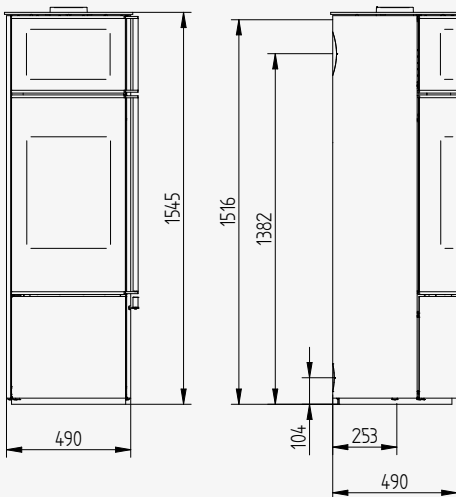


A

OMEGA CHEF

Min./max. output 3 - 8 kW
 Mean CO-emission 0,09 %
 Recommended chimney draft..... 12 pa
 Weight 169 kg
 Smoke outlet Ø 150 mm
 Diameter of fresh air intake Ø 100 mm
 Combustion chamber 412 x 368 x 407 mm
 Efficiency 79%

Flue gas mass flow 6,4 G/S
 Flue gas temperature 291 C
 Dust emission 15 mg
 BImSchV Stufe 2 ✓
 DIBt / RLU ✓
 Defra / Area Smoke Control ✓
 §15A..... ✓



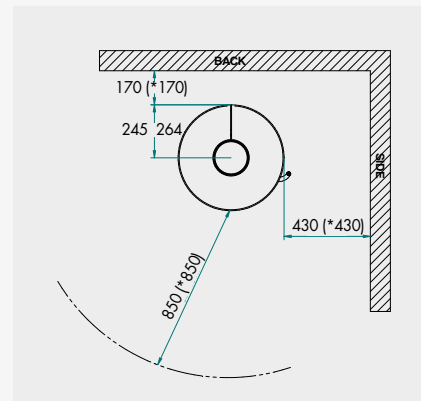
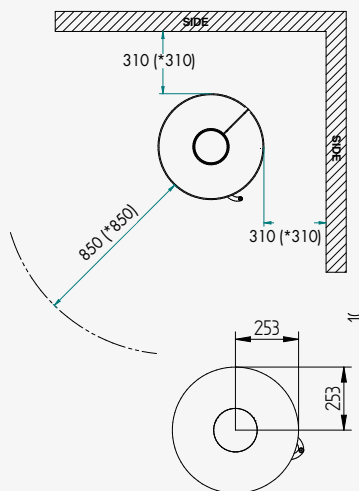
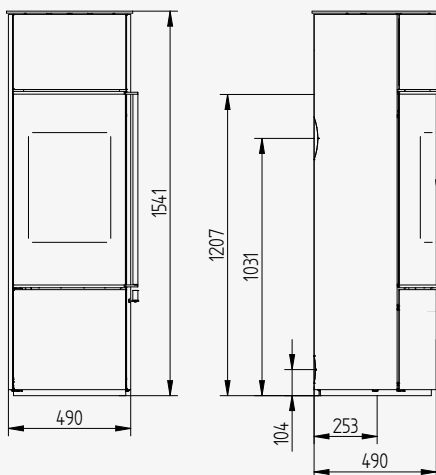
* The numbers indicated in parentheses show the distance to combustible materials when installed with an insulated flue pipe.

A

OMEGA CORE

Min./max. output 3 - 8 kW
 Mean CO-emission 0,09 %
 Recommended chimney draft..... 12 pa
 Weight 214 kg
 Smoke outlet Ø 150 mm
 Accumulation stone..... 45 kg (incl.)
 Diameter of fresh air intake Ø 100 mm
 Combustion chamber 412 x 368 x 407 mm

Efficiency 79%
 Flue gas mass flow 6,4 G/S
 Flue gas temperature 291 C
 Dust emission 15 mg
 BImSchV Stufe 2 ✓
 DIBt / RLU ✓
 Defra / Area Smoke Control ✓
 §15A..... ✓



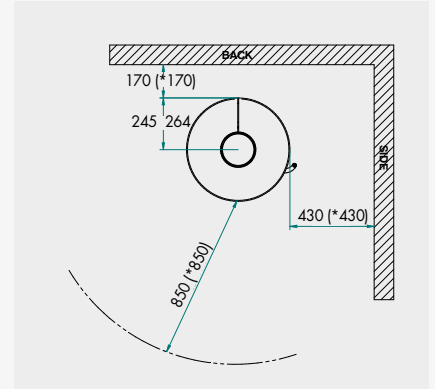
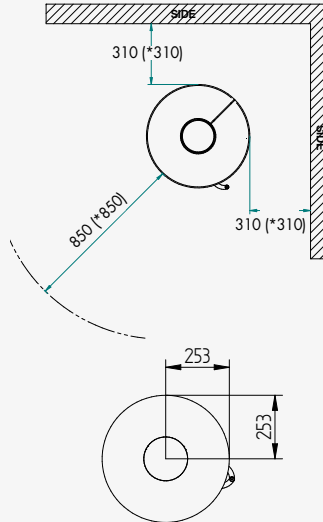
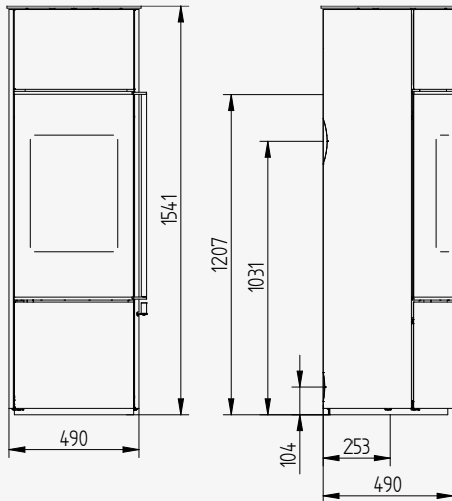
* The numbers indicated in parentheses show the distance to combustible materials when installed with an insulated flue pipe.

A

OMEGA HIGH

Min./max. output 3 - 8 kW
 Mean CO-emission 0,09 %
 Recommended chimney draft 12 pa
 Weight 155 kg
 Smoke outlet Ø 150 mm
 Diameter of fresh air intake Ø 100 mm
 Combustion chamber 412 x 368 x 407 mm
 Efficiency 79%

Flue gas mass flow 6,4 G/S
 Flue gas temperature 291 C
 Dust emission 15 mg
 BlmSchV Stufe 2 ✓
 DIBt / RLU ✓
 Defra / Area Smoke Control ✓
 §15A ✓



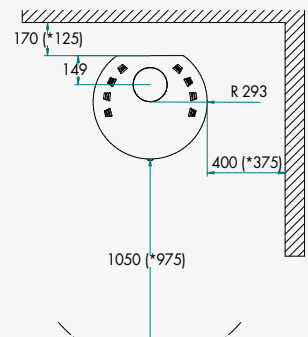
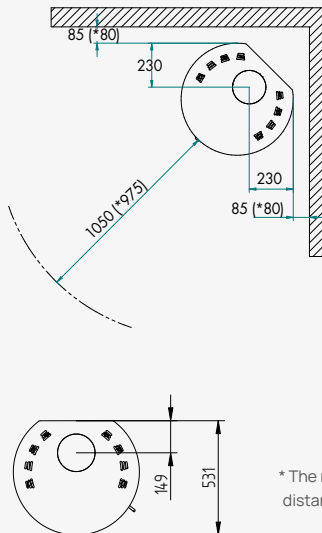
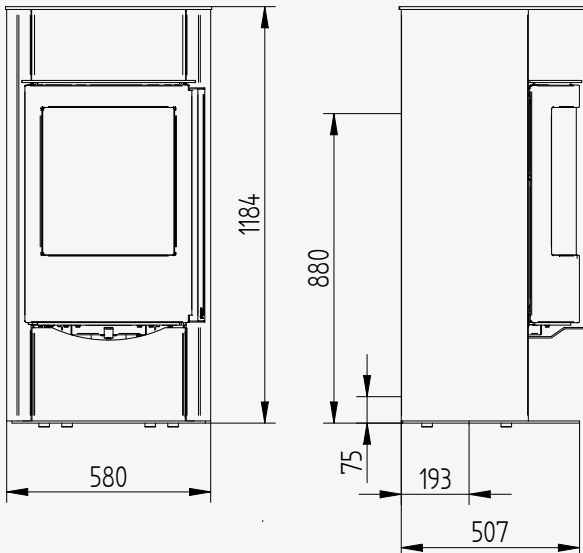
* The numbers indicated in parentheses show the distance to combustible materials when installed with an insulated flue pipe.

A

ORION STEEL

Min./max. output 3 - 8 kW
 Mean CO-emission 0,09 %
 Recommended chimney draft 12 pa
 Weight 166 kg
 Smoke outlet Ø 150 mm
 Diameter of fresh air intake Ø 100 mm
 Combustion chamber 412 x 368 x 407 mm
 Efficiency 79%

Flue gas mass flow 6,4 G/S
 Flue gas temperature 291 C
 Dust emission 15 mg
 BlmSchV Stufe 2 ✓
 DIBt / RLU ✓
 Defra / Area Smoke Control ✓
 §15A ✓



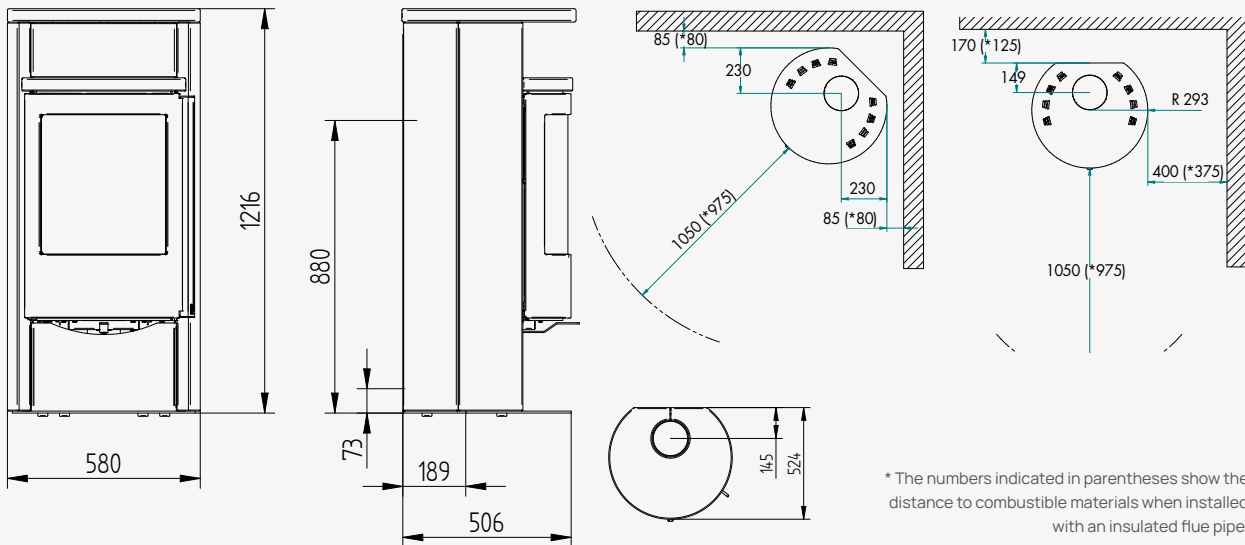
* The numbers indicated in parentheses show the distance to combustible materials when installed with an insulated flue pipe.

A

ORION SOAPSTONE

Min./max. output 3 - 8 kW
 Mean CO-emission 0,09 %
 Recommended chimney draft..... 12 pa
 Weight 298 kg
 Smoke outlet Ø 150 mm
 Diameter of fresh air intake Ø 100 mm
 Combustion chamber 412 x 368 x 407 mm
 Efficiency 79%

Flue gas mass flow 6,4 G/S
 Flue gas temperature 291 C
 Dust emission 15 mg
 BImSchV Stufe 2 ✓
 DIBt / RLU ✓
 Defra / Area Smoke Control ✓
 §15A..... ✓

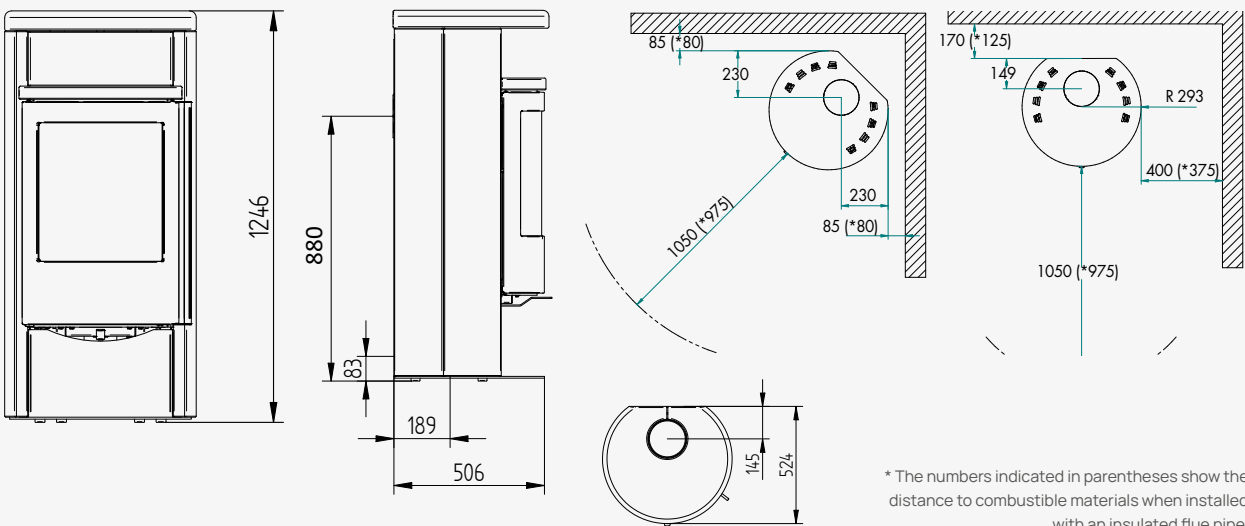


A

ORION SOAPSTONE / SANDSTONE SPECIAL

Min./max. output 3 - 5 kW
 Mean CO-emission 0,09 %
 Recommended chimney draft..... 12 pa
 Weight 326 kg
 Smoke outlet Ø 150 mm
 Diameter of fresh air intake Ø 100 mm
 Combustion chamber 412 x 368 x 407 mm
 Efficiency 79%

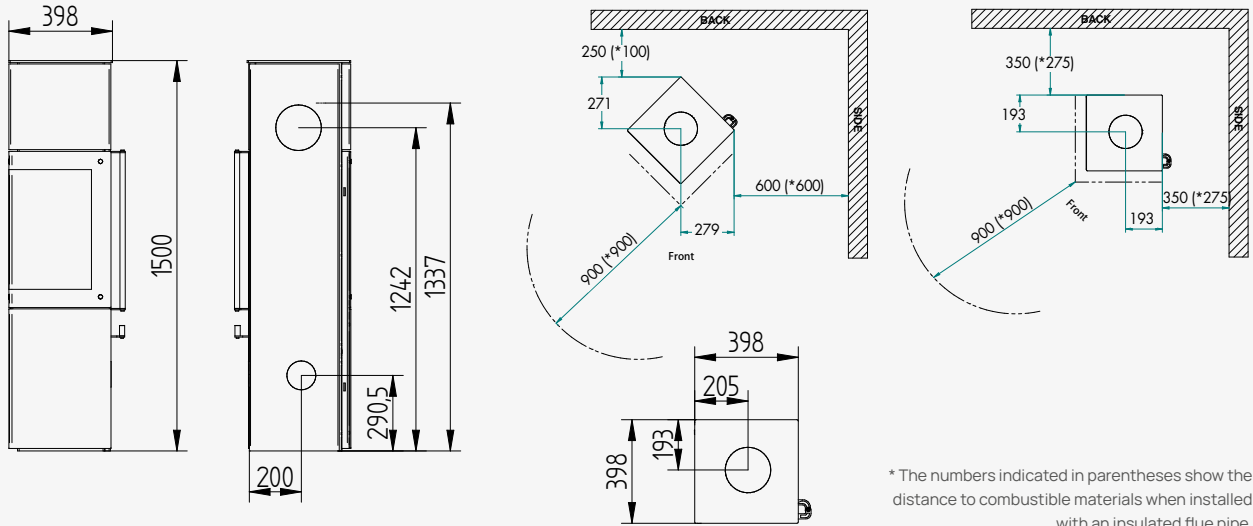
Flue gas mass flow 6,4 G/S
 Flue gas temperature 291 C
 Dust emission 15 mg
 BImSchV Stufe 2 ✓
 DIBt / RLU ✓
 Defra / Area Smoke Control ✓
 §15A..... ✓



A

PANORAMA 1500

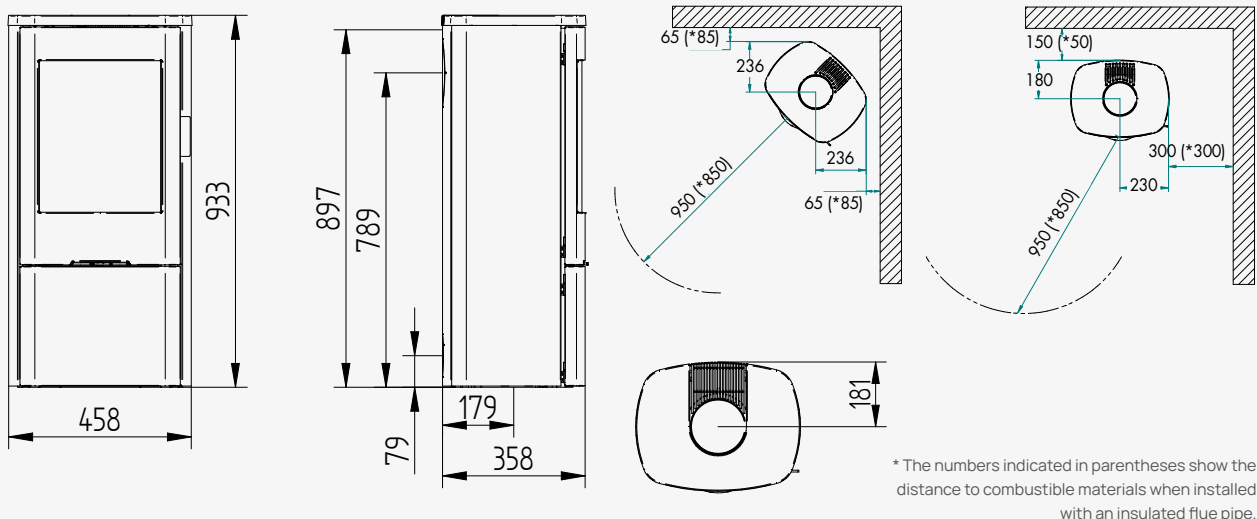
| | | | |
|-----------------------------------|---------------------|----------------------------|--------------------|
| Min./max. output | 4 - 9 kW | Combustion chamber | 445 x 295 x 295 mm |
| Mean CO-emission | 0,09 % | Efficiency | 75% |
| Recommended chimney draft..... | 12 pa | Flue gas mass flow | 8 G/S |
| Weight | 178 kg | Flue gas temperature | 287 C |
| Smoke outlet | Ø 150 mm | Dust emission | 9 mg |
| Accumulation stone..... | 18 kg - Optional | BlmSchV Stufe 2 | ✓ |
| Diameter of fresh air intake | Ø 100 mm - Optional | §15A..... | ✓ |



A+

SENZA STEEL

| | | | |
|------------------------------------|--------------------|----------------------------------|---------|
| Min./max. output | 3 - 5 kW | Flue gas mass flow | 4,3 G/S |
| Mean CO-emission | 0,09 % | Flue gas temperature | 239 C |
| Recommended chimney draft..... | 12 pa | Dust emission | 4 mg |
| Weight | 96 kg | BlmSchV Stufe 2 | ✓ |
| Smoke outlet | Ø 150 mm | DIBt / RLU | ✓ |
| Diameter of fresh air intake | Ø 100 mm | Defra / Area Smoke Control | ✓ |
| Combustion chamber | 430 x 318 x 255 mm | §15A..... | ✓ |
| Efficiency | 82% | | |

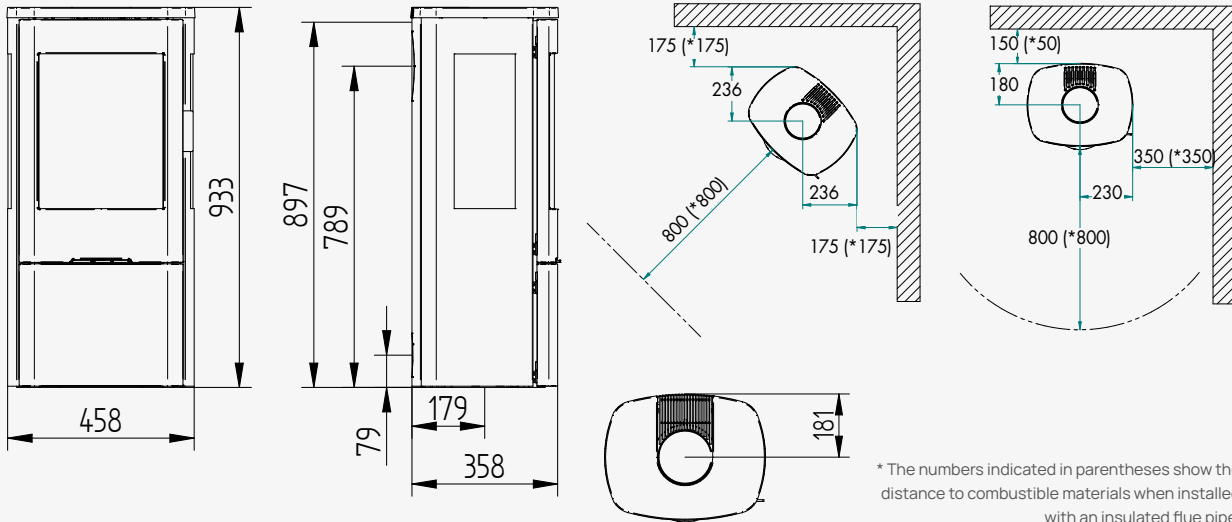


A+

SENZA STEEL W/SIDE GLASS

Min./max. output 3 - 5 kW
 Mean CO-emission 0,09 %
 Recommended chimney draft..... 12 pa
 Weight 95 kg
 Smoke outlet Ø 150 mm
 Diameter of fresh air intake Ø 100 mm
 Combustion chamber 430 x 318 x 255 mm
 Efficiency 82%

Flue gas mass flow 4,3 G/S
 Flue gas temperature 239 C
 Dust emission 4 mg
 BImSchV Stufe 2 ✓
 DIBt / RLU ✓
 Defra / Area Smoke Control ✓
 §15A..... ✓

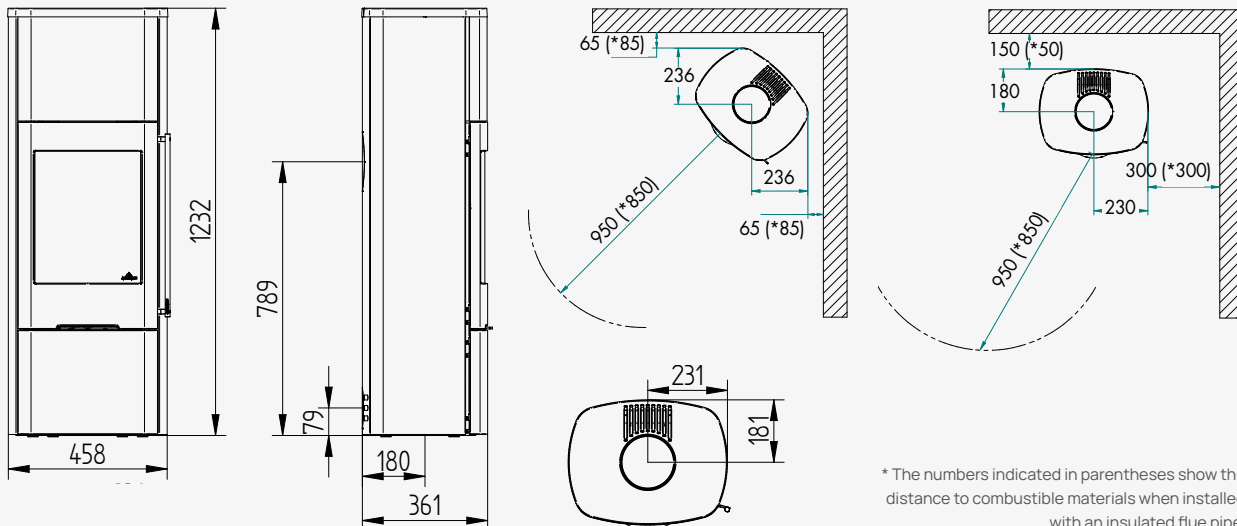


A+

SENZA HIGH

Min./max. output 3 - 5 kW
 Mean CO-emission 0,09 %
 Recommended chimney draft..... 12 pa
 Weight 112 kg
 Smoke outlet Ø 150 mm
 Accumulation stone..... 36 kg - Optional
 Diameter of fresh air intake Ø 100 mm
 Combustion chamber 430 x 318 x 255 mm

Efficiency 82%
 Flue gas mass flow 4,3 G/S
 Flue gas temperature 239 C
 Dust emission 4 mg
 BImSchV Stufe 2 ✓
 DIBt / RLU ✓
 Defra / Area Smoke Control ✓
 §15A..... ✓

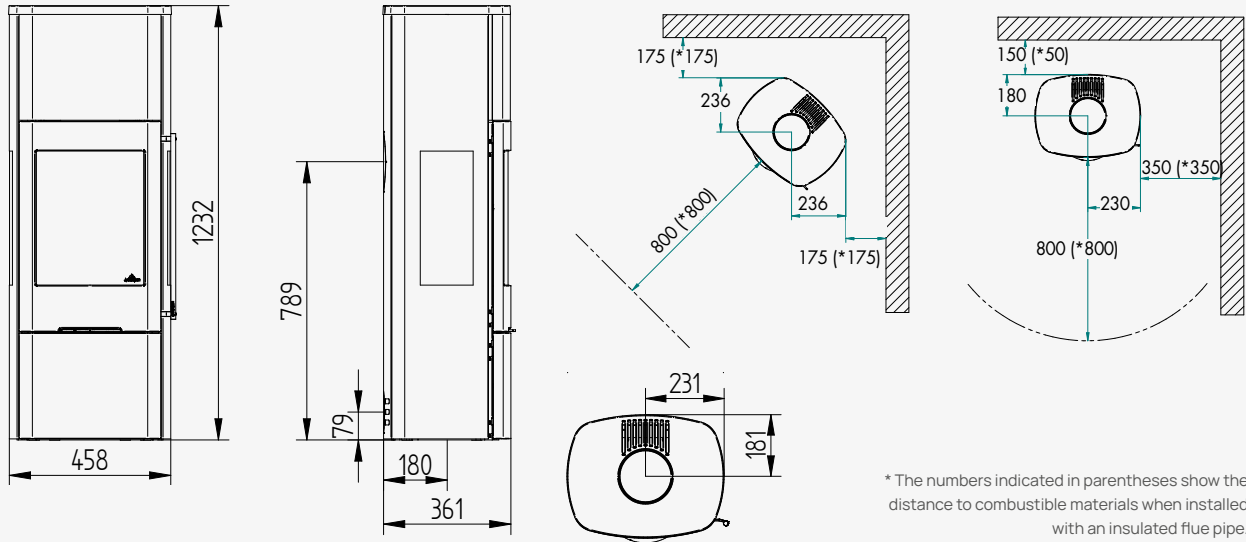


A+

SENZA HIGH W/SIDE GLASS

Min./max. output 3 - 5 kW
 Mean CO-emission 0,09 %
 Recommended chimney draft 12 pa
 Weight 111 kg
 Smoke outlet Ø 150 mm
 Accumulation stone 36 kg - Optional
 Diameter of fresh air intake Ø 100 mm
 Combustion chamber 430 x 318 x 255 mm

Efficiency 82%
 Flue gas mass flow 4,3 G/S
 Flue gas temperature 239 C
 Dust emission 4 mg
 BlmSchV Stufe 2 ✓
 DIBt / RLU ✓
 Defra / Area Smoke Control ✓
 §15A ✓



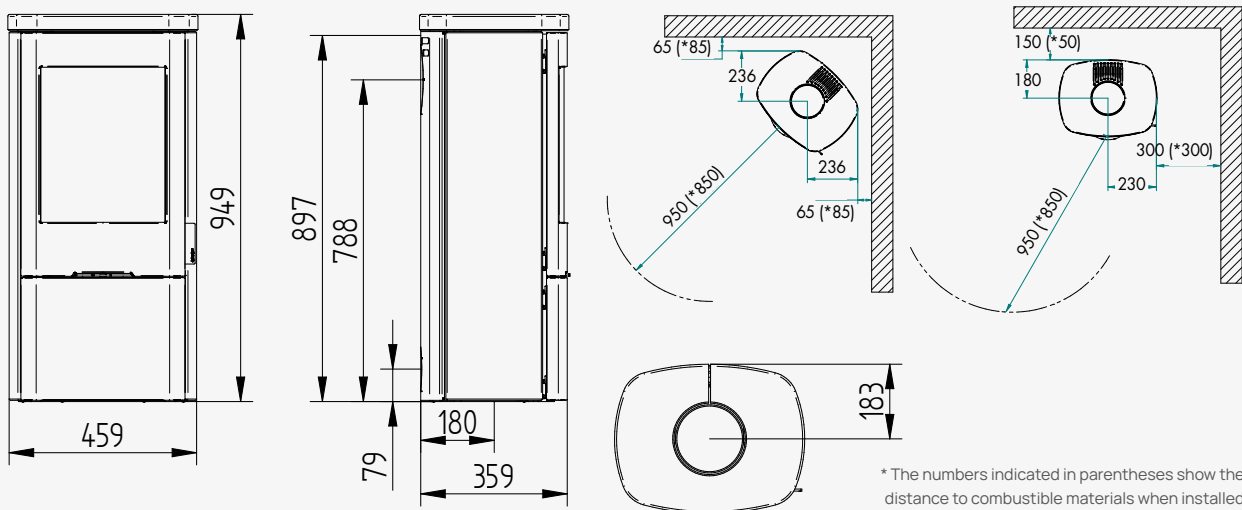
* The numbers indicated in parentheses show the distance to combustible materials when installed with an insulated flue pipe.

A+

SENZA STONE

Min./max. output 3 - 5 kW
 Mean CO-emission 0,09 %
 Recommended chimney draft 12 pa
 Weight 154 kg
 Smoke outlet Ø 150 mm
 Diameter of fresh air intake Ø 100 mm
 Combustion chamber 430 x 318 x 255 mm
 Efficiency 82%

Flue gas mass flow 4,3 G/S
 Flue gas temperature 239 C
 Dust emission 4 mg
 BlmSchV Stufe 2 ✓
 DIBt / RLU ✓
 Defra / Area Smoke Control ✓
 §15A ✓



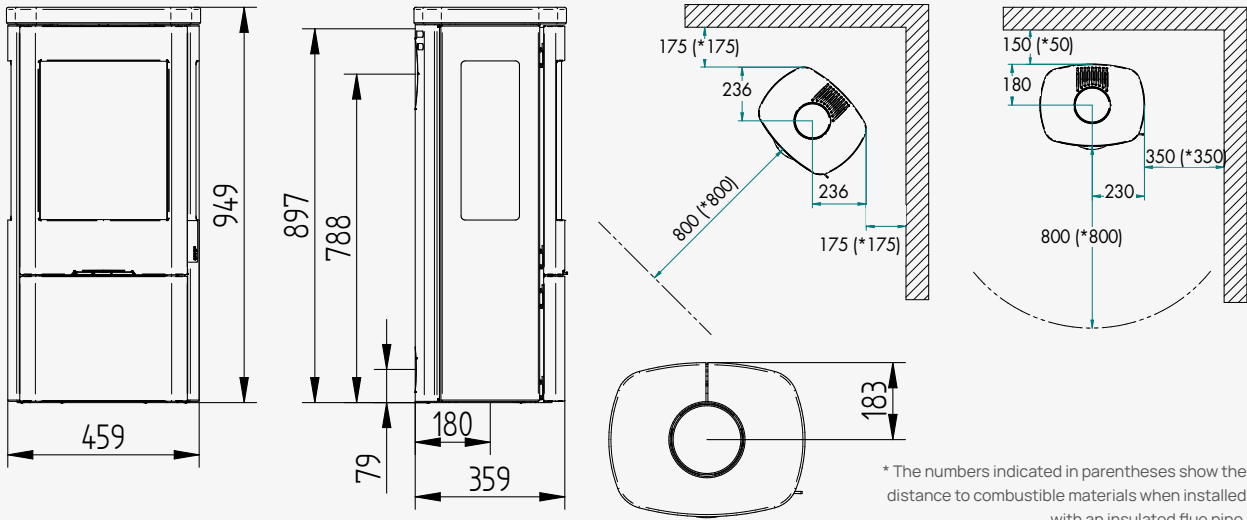
* The numbers indicated in parentheses show the distance to combustible materials when installed with an insulated flue pipe.

A+

SENZA STONE W/SIDE GLASS

Min./max. output 3 - 5 kW
 Mean CO-emission 0,09 %
 Recommended chimney draft 12 pa
 Weight 140 kg
 Smoke outlet Ø 150 mm
 Diameter of fresh air intake Ø 100 mm
 Combustion chamber 430 x 318 x 255 mm
 Efficiency 82%

Flue gas mass flow 4,3 G/S
 Flue gas temperature 239 C
 Dust emission 4 mg
 BlmSchV Stufe 2 ✓
 DIBt / RLU ✓
 Defra / Area Smoke Control ✓
 §15A ✓

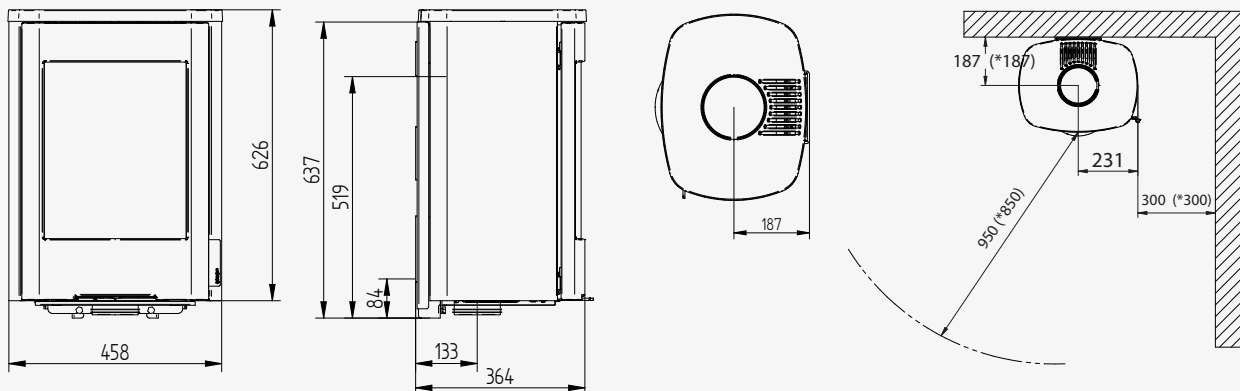


A+

SENZA WALL

Min./max. output 3 - 5 kW
 Mean CO-emission 0,09 %
 Recommended chimney draft 12 pa
 Weight 82 kg
 Smoke outlet Ø 150 mm
 Diameter of fresh air intake Ø 100 mm
 Combustion chamber 430 x 318 x 255 mm
 Efficiency 82%

Flue gas mass flow 4,3 G/S
 Flue gas temperature 239 C
 Dust emission 4 mg
 BlmSchV Stufe 2 ✓
 DIBt / RLU ✓
 Defra / Area Smoke Control ✓
 §15A ✓

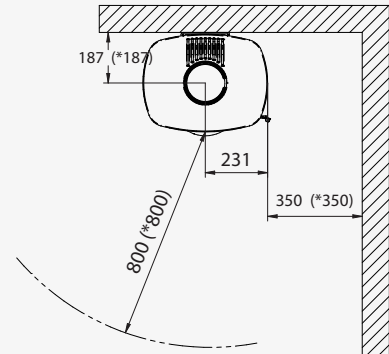
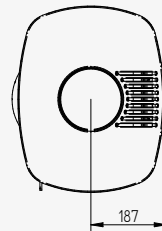
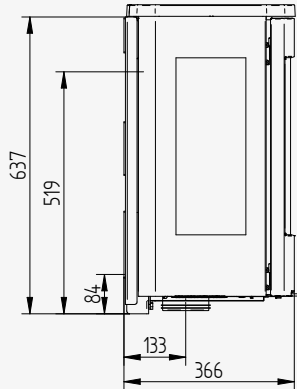
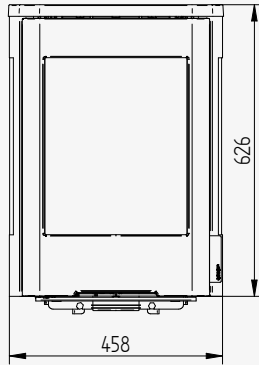


A+

SENZA WALL W/SIDE GLASS

Min./max. output 3 - 5 kW
 Mean CO-emission 0,09 %
 Recommended chimney draft 12 pa
 Weight 81 kg
 Smoke outlet Ø 150 mm
 Diameter of fresh air intake Ø 100 mm
 Combustion chamber 430 x 318 x 255 mm
 Efficiency 82%

Flue gas mass flow 4,3 G/S
 Flue gas temperature 239 C
 Dust emission 4 mg
 BlmSchV Stufe 2 ✓
 DIBt / RLU ✓
 Defra / Area Smoke Control ✓
 §15A ✓



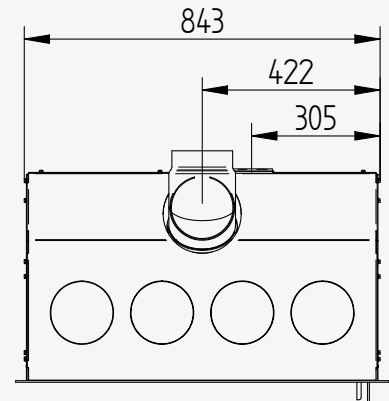
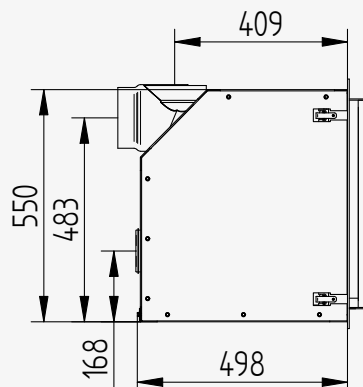
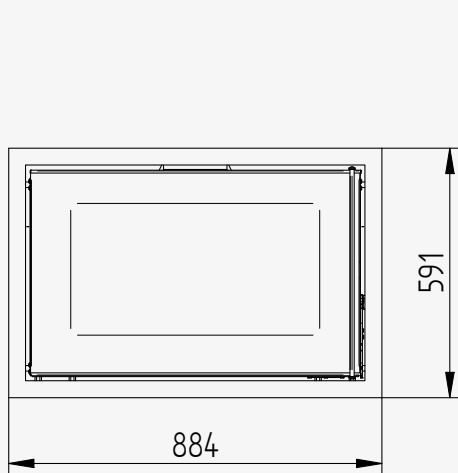
* The numbers indicated in parentheses show the distance to combustible materials when installed with an insulated flue pipe.

A

SIGMA

Min./max. output 4 - 8 kW
 Mean CO-emission 0,04 %
 Recommended chimney draft 12 pa
 Weight 140 kg
 Smoke outlet Ø 150 mm
 Diameter of fresh air intake Ø 100 mm
 Combustion chamber 360 x 580 x 290 mm

Min. indbygningsmål B 858 x H 565
 Efficiency 79%
 Flue gas mass flow 6,9 G/S
 Flue gas temperature 273 C
 Dust emission 10 mg
 BlmSchV Stufe 2 ✓
 Defra / Area Smoke Control ✓



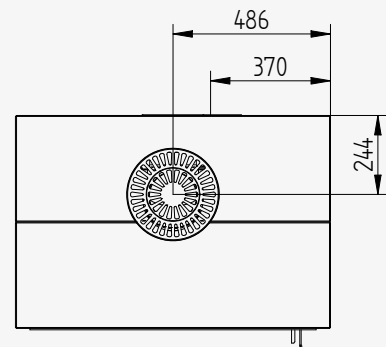
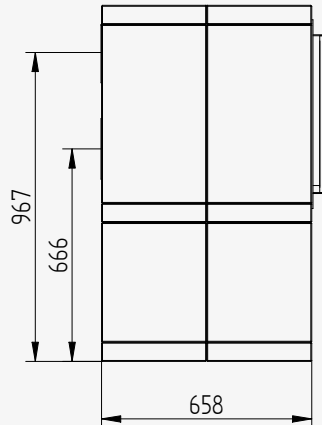
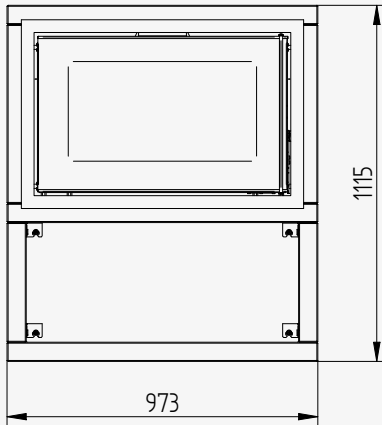
* The numbers indicated in parentheses show the distance to combustible materials when installed with an insulated flue pipe.

A

SIGMA TITAN 1

Min./max. output 4 - 8 kW
 Mean CO-emission 0,04 %
 Recommended chimney draft..... 12 pa
 Weight 820 kg
 Smoke outlet Ø 150 mm
 Diameter of fresh air intake Ø 100 mm
 Combustion chamber 360 x 580 x 290 mm

Efficiency 79%
 Flue gas mass flow 6,9 G/S
 Flue gas temperature 273 C
 Dust emission 10 mg
 BlmSchV Stufe 2 ✓
 Defra / Area Smoke Control ✓



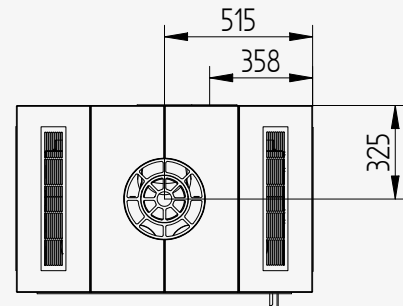
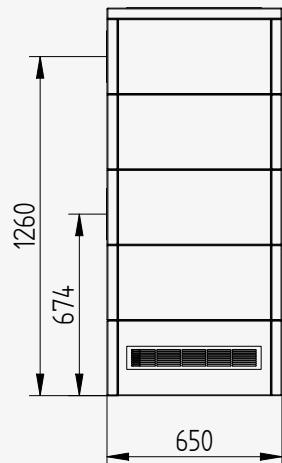
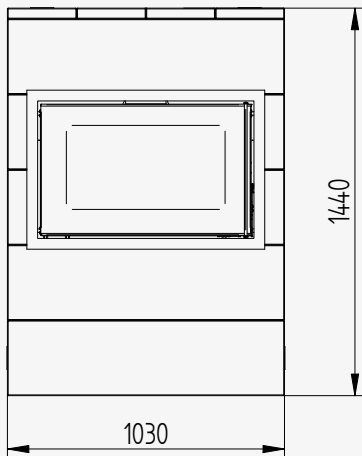
* The numbers indicated in parentheses show the distance to combustible materials when installed with an insulated flue pipe.

A

SIGMA TITAN 2

Min./max. output 4 - 8 kW
 Mean CO-emission 0,04 %
 Recommended chimney draft..... 12 pa
 Weight 784 kg
 Smoke outlet Ø 150 mm
 Diameter of fresh air intake Ø 100 mm
 Combustion chamber 360 x 580 x 290 mm

Efficiency 79%
 Flue gas mass flow 6,9 G/S
 Flue gas temperature 273 C
 Dust emission 10 mg
 BlmSchV Stufe 2 ✓
 Defra / Area Smoke Control ✓

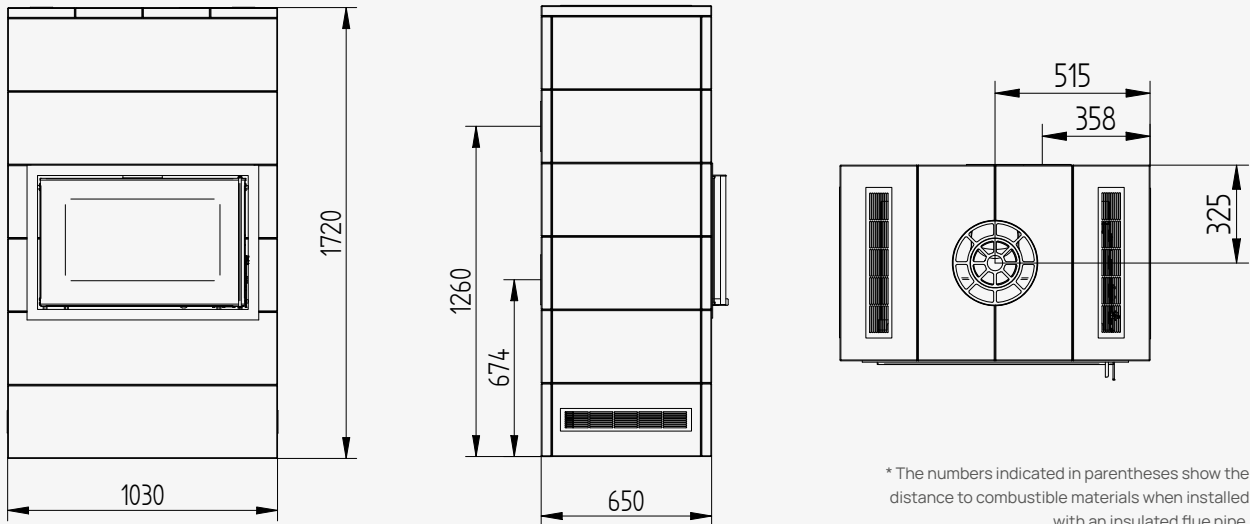


* The numbers indicated in parentheses show the distance to combustible materials when installed with an insulated flue pipe.

A

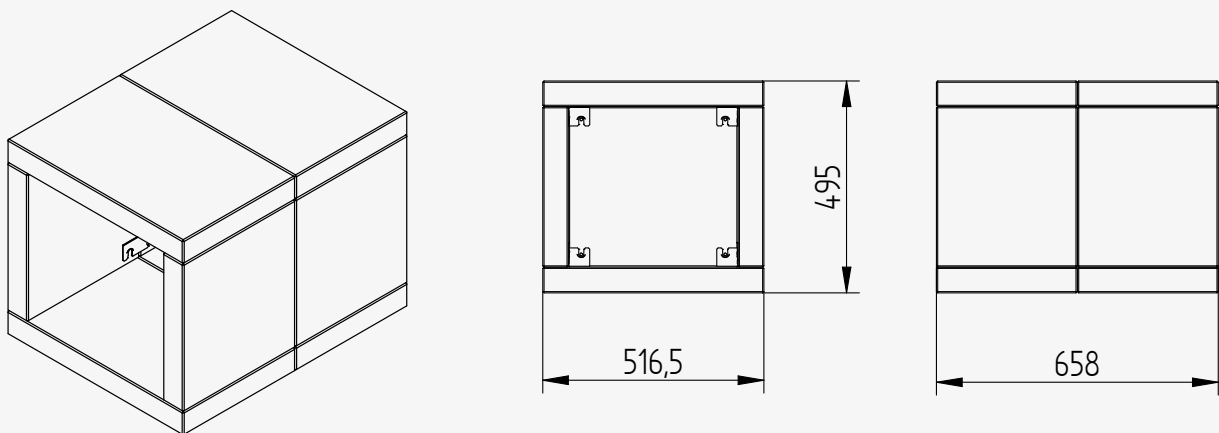
SIGMA TITAN 3

| | | | |
|------------------------------------|--------------------|----------------------------------|---------|
| Min./max. output | 4 - 8 kW | Efficiency | 79% |
| Mean CO-emission | 0,04 % | Flue gas mass flow | 6,9 G/S |
| Recommended chimney draft | 12 pa | Flue gas temperature | 273 C |
| Weight | 892 kg | Dust emission | 10 mg |
| Smoke outlet | Ø 150 mm | BImSchV Stufe 2 | ✓ |
| Diameter of fresh air intake | Ø 100 mm | Defra / Area Smoke Control | ✓ |
| Combustion chamber | 360 x 580 x 290 mm | | |

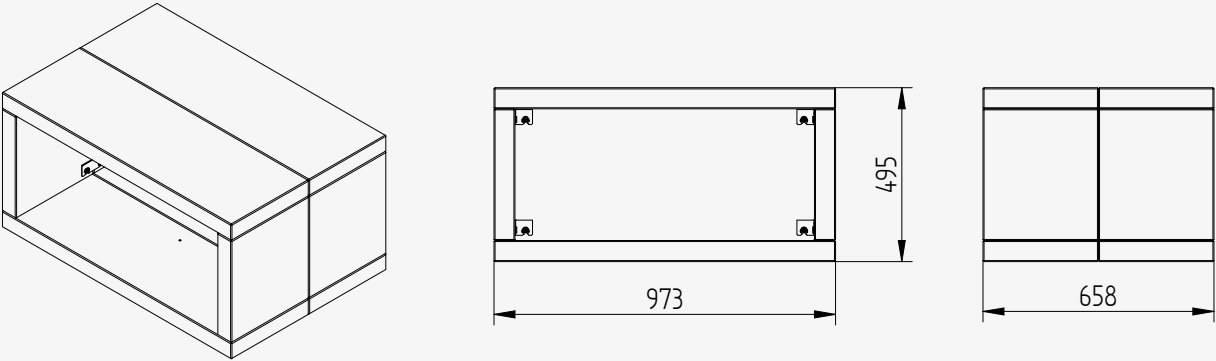


* The numbers indicated in parentheses show the distance to combustible materials when installed with an insulated flue pipe.

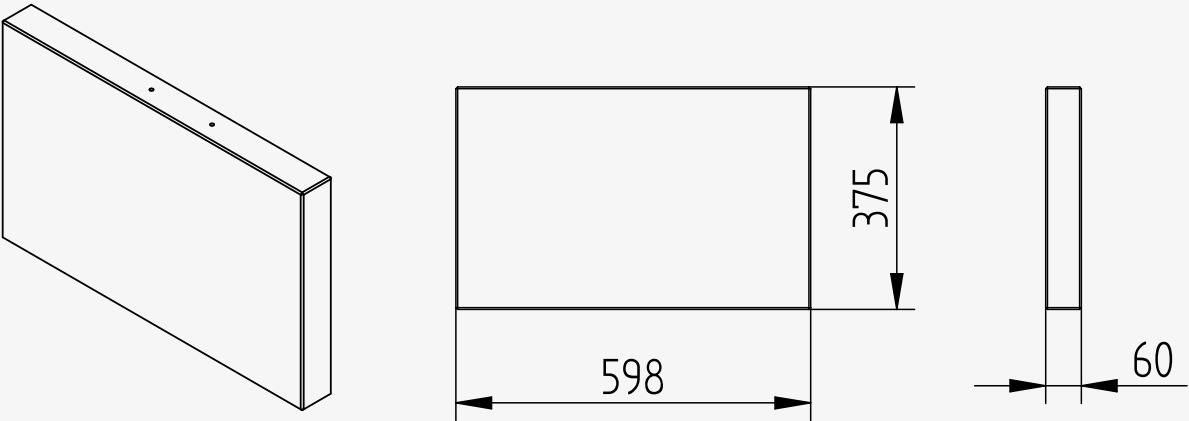
SIGMA TITAN BENCH



SIGMA TITAN BENCH 2



SIGMA TITAN DIVIDING STONE

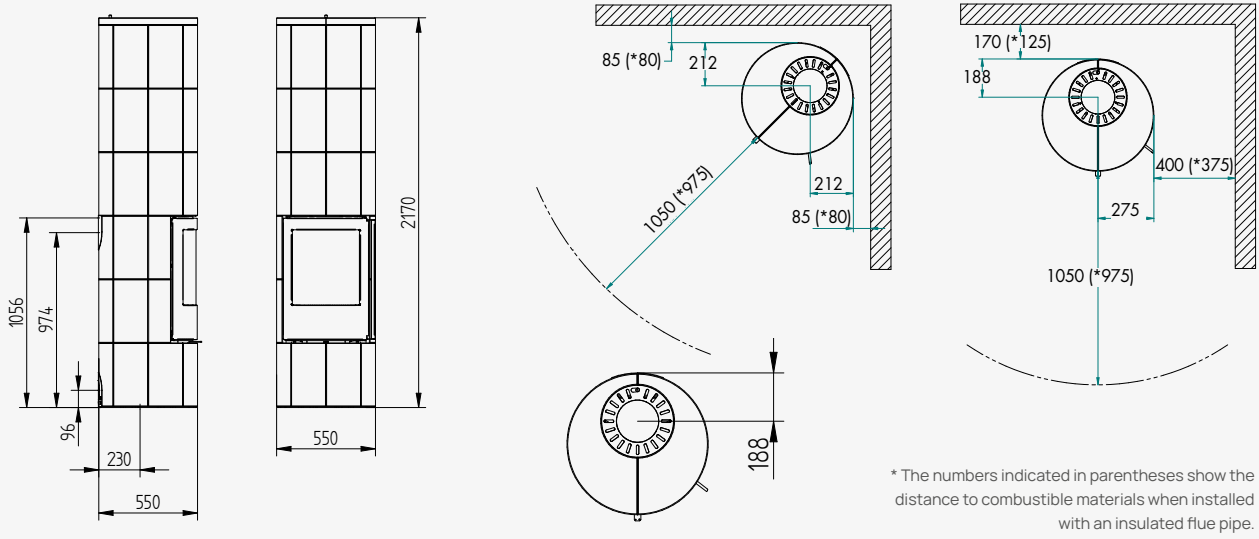


A

TROJA 46

Min./max. output 3 - 8 kW
 Mean CO-emission 0,09 %
 Recommended chimney draft..... 12 pa
 Weight 481/533 kg
 Smoke outlet Ø 150 mm
 Accumulation stone..... 363 kg - Optional
 Diameter of fresh air intake Ø 100 mm
 Combustion chamber 412 x 368 x 407 mm

Efficiency 79%
 Flue gas mass flow 6,4 G/S
 Flue gas temperature 291 C
 Dust emission 15 mg
 BImSchV Stufe 2 ✓
 DIBt / RLU ✓
 Defra / Area Smoke Control ✓
 §15A..... ✓

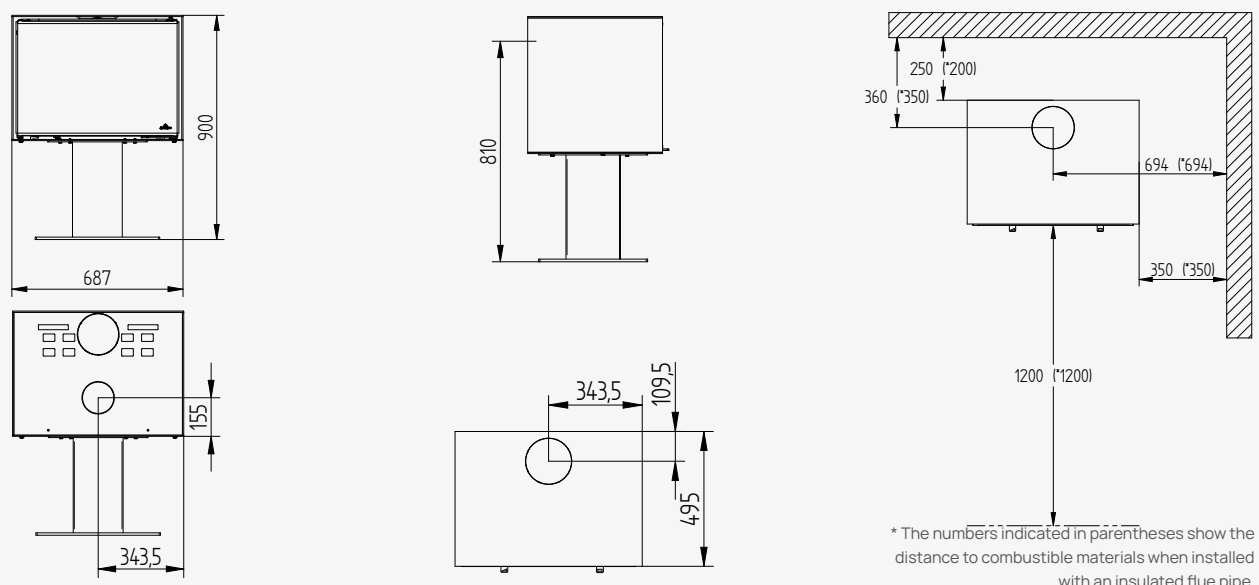


A

ZETA BASE

Min./max. output 4 - 9 kW
 Mean CO-emission 0,078 %
 Recommended chimney draft..... 12 pa
 Weight 144 kg
 Smoke outlet Ø 150 mm
 Diameter of fresh air intake Ø 100 mm - Optional

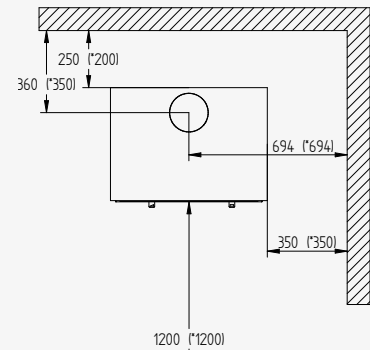
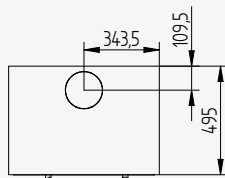
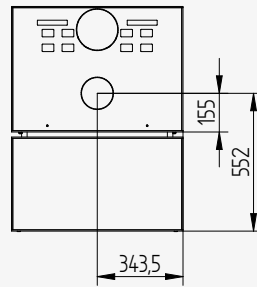
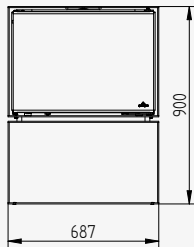
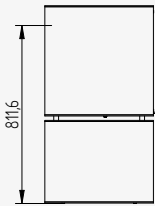
Combustion chamber 350 x 600 x 300 mm
 Efficiency 75%
 Flue gas mass flow 7,5 G/S
 Flue gas temperature 337 C
 Dust emission 28 mg
 BImSchV Stufe 2 ✓



A

ZETA FREESTANDING

| | | | |
|-----------------------------------|---------------------|----------------------------|--------------------|
| Min./max. output | 4 - 9 kW | Combustion chamber | 350 x 600 x 300 mm |
| Mean CO-emission | 0,078 % | Efficiency | 75% |
| Recommended chimney draft..... | 12 pa | Flue gas mass flow | 7,5 G/S |
| Weight | 170 kg | Flue gas temperature | 337 C |
| Smoke outlet | Ø 150 mm | Dust emission | 28 mg |
| Diameter of fresh air intake | Ø 100 mm - Optional | BImSchV Stufe 2 | √ |

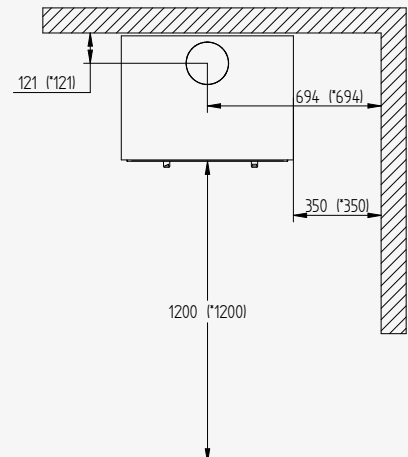
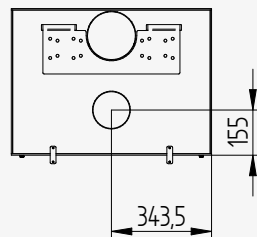
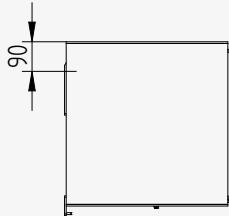
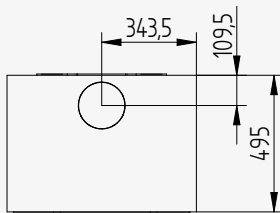
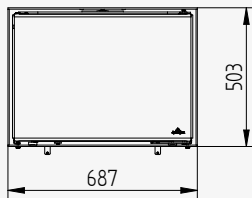


* The numbers indicated in parentheses show the distance to combustible materials when installed with an insulated flue pipe.

A

ZETA WALL

| | | | |
|-----------------------------------|---------------------|----------------------------|--------------------|
| Min./max. output | 4 - 9 kW | Combustion chamber | 350 x 600 x 300 mm |
| Mean CO-emission | 0,078 % | Efficiency | 75% |
| Recommended chimney draft..... | 12 pa | Flue gas mass flow | 7,5 G/S |
| Weight | 122 kg | Flue gas temperature | 337 C |
| Smoke outlet | Ø 150 mm | Dust emission | 28 mg |
| Diameter of fresh air intake | Ø 100 mm - Optional | BImSchV Stufe 2 | √ |



* The numbers indicated in parentheses show the distance to combustible materials when installed with an insulated flue pipe.



Jydepejsen Denmark A/S
Ahornsvinget 3-7, Nr. Felding
DK-7500 Holstebro

T: +45 96 10 12 00

info@jydepejsen.dk
www.jydepejsen.com