

PUREVISION 



HIGH DEFINITION STOVES

**Charlton & Jenrick**<sup>LTD</sup>

*Best of British fires, fireplaces & stoves*





## Purevision 12 YEAR WARRANTY

All Purevision HD stoves come with an extended 12 year parts warranty as standard, subject to terms and conditions. Please visit the website [www.charltonandjenrick.co.uk](http://www.charltonandjenrick.co.uk) for more details.



## Introducing PUREVISION N

The Purevision™ HD range from Charlton & Jenrick comprises a wide range of models including freestanding, inset, classical and continental style pedestal stoves. They contain technologically advanced patented design features that result in superb clean-burning performance and thermal efficiency of up to 87.2%.

Emissions meet EU leading DIN+ levels and already achieve current emission and efficiency requirements for 2022 European Ecodesign standards, which are far tougher than current mandatory norms. DEFRA exemption for wood-burning in a smokeless zone was a formality, with test results up to 97% below permitted levels of visible smoke.

Design parameters have been reset to produce a huge glass panel for fire viewing, framed by a substantial yet elegantly curved door, the aesthetics of which blend seamlessly with traditional or modern rooms and fireplaces. The glass panel is kept clean by the extremely powerful airwash system.

Purevision™ HD is the result of Charlton & Jenrick's ongoing endeavours to improve the state of the art in wood-burning combustion chamber design. High Definition (HD) means an improved visual resolution over the previous standard and Purevision™ achieves this by harnessing the airwash and specialised tertiary air-profiling within the burn chamber for sharply defined flames and complete combustion.

EXPERIENCE REAL LIVING FLAMES IN  
HIGH DEFINITION WITH PUREVISION HD.



# Contents

- 6 PV5 multi-fuel stove
- 8 PV5W multi-fuel stove
- 10 PV5W Slimline multi-fuel stove
- 12 PV85 multi-fuel stove
- 14 PV5i multi-fuel stove
- 16 PV5iW multi-fuel stove
- 18 PV85i multi-fuel stove
- 20 CPV5 multi-fuel stove
- 22 CPV5W multi-fuel stove
- 24 CPV5W Slimline multi-fuel stove
- 26 PV5W gas stove
- 28 PVR Cylinder multi-fuel stove range
- 30 PVR Cylinder multi-fuel stove on pedestal stands
- 32 PVR Cylinder multi-fuel stove on log stores
- 34 PVR Cylinder multi-fuel stove in inglenook
- 36 PVR square back hang on the wall cylinder multi-fuel stove
- 38 Dimensions & Specifications
- 48 Performance data





## Stoves of the future – here today

The SIA (Stove Industry Alliance) recently used the services of a research company, Kiwa Gastec whose report shows that modern clean burning Ecodesign stoves, including those in the Purevision range, can reduce particulate emissions by up to 90% compared to an open fire, and 80-84% compared to an old stove.

This finding is so important that SIA have begun an 'Ecodesign Ready' labelling scheme verified by HETAS to promote stoves meeting the efficiency and emissions regulations early. From 2017, the industry's main manufacturers, including Charlton & Jenrick will ensure that all newly-designed wood burning stove models will meet European environmental standards for particulate emissions, which are not due to be enforced until 2022.

Charlton & Jenrick invested in the design and development of the Purevision range of Ecodesign Ready stoves as long ago as 2013 to prepare for future tightening of regulations. In doing so new combustion optimisation ideas and techniques were perfected resulting in a patent covering the tertiary air inlet system and several other innovations which were added within the products.

You can buy safe in the knowledge that all the Purevision stoves you see in this brochure meet and exceed the 2022 regulations and are already certified SIA Ecodesign Ready.



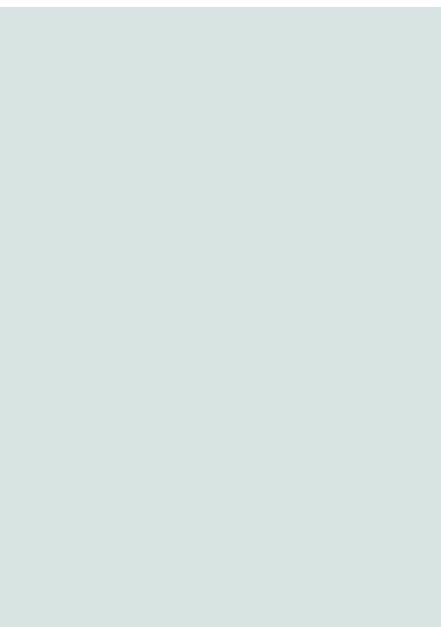


**PV5** Freestanding stove shown on midi log store in chamber

## Purevision™ PV5 multi-fuel stove

Stylishly elegant 5kW stove with a large glass window for optimal viewing of the high definition flames.

- Powerful airwash that aids the clean burning of the stove to produce the High Definition (HD) flame picture
- Optional external air kit for direct connection to the outside, potentially eliminating the need for fixed exterior ventilators in houses built after 2008
- Unique active baffle system for fast start-up and easier refuelling
- High-quality cast ceramic firebox liners that are self-cleaning, hardwearing and extremely attractive
- DEFRA exemption for burning wood logs in smokeless zones
- Full multi-fuel capability as standard
- Optional stands or log stores
- Full-sized cast iron door
- Available in choice of grey or black paint finish.



**PV5** Freestanding stove shown on tall stand in an inglenook with a non-combustible beam



**PV5** Freestanding stove shown in Wave limestone suite





**PV5W** Freestanding stove  
shown on short stand in  
Rembrandt suite

## Purevision™ PV5W multi-fuel stove

A stunning panoramic 5kW wide stove that shares all the features of the PV5 with the additional benefits of accepting longer logs and greater fuel volumes.

- Modern hard-wearing graphite grey or black paintwork
- Patented tertiary air-profiling system, which delivers the clean combustion and high efficiency required to meet or exceed the 2022 European Ecodesign Directive
- Stainless steel bar handle, which is cooler to the touch and easy to use
- Heavy-duty stainless steel operating tool and stand for ease of use and attractive appearance
- Top and rear flue connection provides more flexibility when installing the stove
- Optional stands or log stores available.
- Unique active baffle system for fast start-up and easier refuelling











PV5W Slimline shown  
on a short log store







**PV5W** Slimline shown on a short stand in an inglenook chamber

## Purevision™ PV5W Slimline multi-fuel stove

The PV5W-SLIM is a stove the same width and large glass viewing area as the PV5W on the previous page but with a shallower depth. This depth allows the stove to be located in the vast majority of UK fireplace openings. Being wide the stove benefits from being able to accept longer logs for greater fuel volumes.

- High-quality hard wearing and self-cleaning ceramic firebox liners. This is not standard on many stoves because of cost but come as standard with all Purevision stoves
- DEFRA exemption for burning wood logs in smokeless zones
- Full-sized cast iron door
- Available in choice of grey or black paint finish
- Optional short stand or log store available.



## Purevision™ PV85 multi-fuel stove

The largest in the range, this stove offers our biggest fuel volume capacity and heat output for very large rooms and those who need a lot of heat.

- Huge glass window offers the best possible view of the High Definition fire picture
- Adjustable feet, as fitted on all our freestanding models, facilitate installation on surfaces
- All our freestanding models require only a 12mm superimposed hearth extending underneath and 230mm in front of the stove
- Stainless steel single air control lever not only looks fantastic but is cool to the touch, discreetly positioned and very easy to use
- Optional external air kit for direct connection to the outside, potentially eliminating the need for fixed exterior ventilators in the room
- Future-proof performance meets the 2022 European Ecodesign Directive.





PV85 Freestanding stove  
shown on optional log store



PV85 Freestanding stove  
shown in an inglenook chamber





## Purevision™ PV5i multi-fuel stove

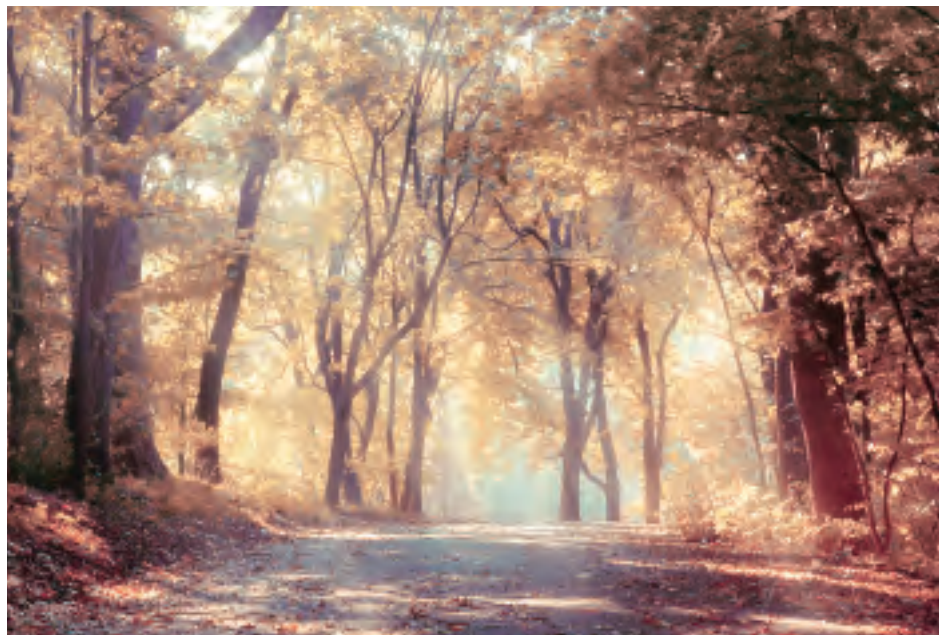
Following on from the standard PV5 freestanding stove, this inset model shares identical visual and performance features. This means you get the same window size, performance and features as you would with the freestanding model.

- Clean aesthetic design that enables the stove to blend seamlessly with traditional or modern room and fireplace designs
- Unique air control system that provides automatic air distribution from a simple single-lever burning control
- Powerful airwash that assists the clean burning of the stove in producing the High Definition (HD) flame picture
- DEFRA exemption for burning wood logs in smokeless zones
- Full multi-fuel capacity as standard
- Identical door design to the freestanding version.

**PV5i** Inset stove  
in Stokesay Suite



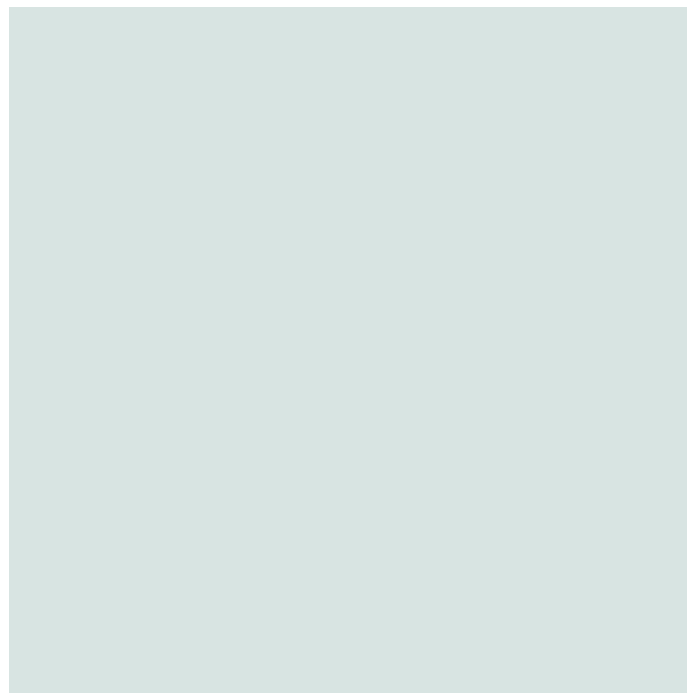




**PV5i** Inset stove  
shown set into wall



**PV5iW** Inset stove shown  
in Wave limestone suite





**PV5iW** Inset stove  
shown in Aylesbury  
limestone suite



## Purevision™ PV5iW multi-fuel stove

This stove is a larger version of the PV5i. It offers all the same attributes but gives a larger viewing window and fuel capacity, making it ideal for the larger living space.

- Super high-quality cast ceramic firebox liners offer superior appearance and durability with self-cleaning characteristics
- Optimal top flue connection on all our inset models facilitates installation where lintels may obstruct other stoves
- Reduced clearances, with 100mm from the legs of existing surrounds as standard and 275mm from the mantel when using the optional deflector shield
- Full multi-fuel capability as standard, so no kits or adaptors needed for burning smokeless fuels.

**PV85i** Inset stove shown in Edgemoor limestone suite



## Purevision™ PV85i multi-fuel stove

Along with the PV85, this is the largest stove in the range. It looks very attractive installed in a wall or in a fireplace suite.

- Super high-quality cast ceramic firebox liners offer superior appearance and durability with self-cleaning characteristics
- Optimal top flue connection on all our inset models facilitates installation where lintels may obstruct other stoves
- Reduced clearances, with 50mm from the legs of existing surrounds as standard and 250mm from the mantel when using the optional deflector shield
- Full multi-fuel capability as standard, so no kits or adaptors needed for burning smokeless fuels.



**PV85i** Inset stove  
shown set in wall





CPV5 freestanding stove shown in an inglenook with a non-combustible beam





## Purevision™ Classic CPV5 multi-fuel stove

Stylish and elegant with classical looks the new CPV5 is a solid, heavy-duty stove with a huge glass fire viewing window for optimal viewing of flames.

- Heavy-duty stainless steel operating tool and stand for ease of use and attractive appearance
- High-quality cast iron top plate, top blanking plate for rear flue connections and base unit (pre-fitted) with adjustable feet for levelling, providing flexibility when installing the stove
- Reduced clearances to combustibles using the included heat shield and twin firebox construction
- Optional external air kit for direct connection to the outside
- High-quality ceramic firebox liners that are self-cleaning, hardwearing and very attractive
- DEFRA exemption for burning wood logs in smokeless zones
- Full multi-fuel capacity as standard, so no kits or adaptors needed for burning smokeless fuels
- Innovative active baffle system for flexibility and ease of use.





CPV5W Freestanding stove shown in a Shrewsbury surround

## Purevision™ CPV5W multi-fuel stove

Stylish and elegant with classical looks the new CPV5W is a solid, heavy-duty stove with a huge glass fire viewing window for optimal viewing of flames. The larger CPV5W retains a nominal output of 5kW, but provides a wider operating range making it ideal for larger living spaces.

- Heavy-duty stainless steel operating tool and stand for ease of use and attractive appearance
- High-quality cast iron top plate, top blanking plate for rear flue connections and base unit (pre-fitted) with adjustable feet for levelling, providing flexibility when installing the stove
- Reduced clearances to combustibles using the included heat shield and twin firebox construction
- Optional external air kit for direct connection to the outside
- High-quality ceramic firebox liners that are self-cleaning, hardwearing and very attractive
- DEFRA exemption for burning wood logs in smokeless zones
- Full multi-fuel capacity as standard, so no kits or adaptors needed for burning smokeless fuels
- Innovative active baffle system for flexibility and ease of use.







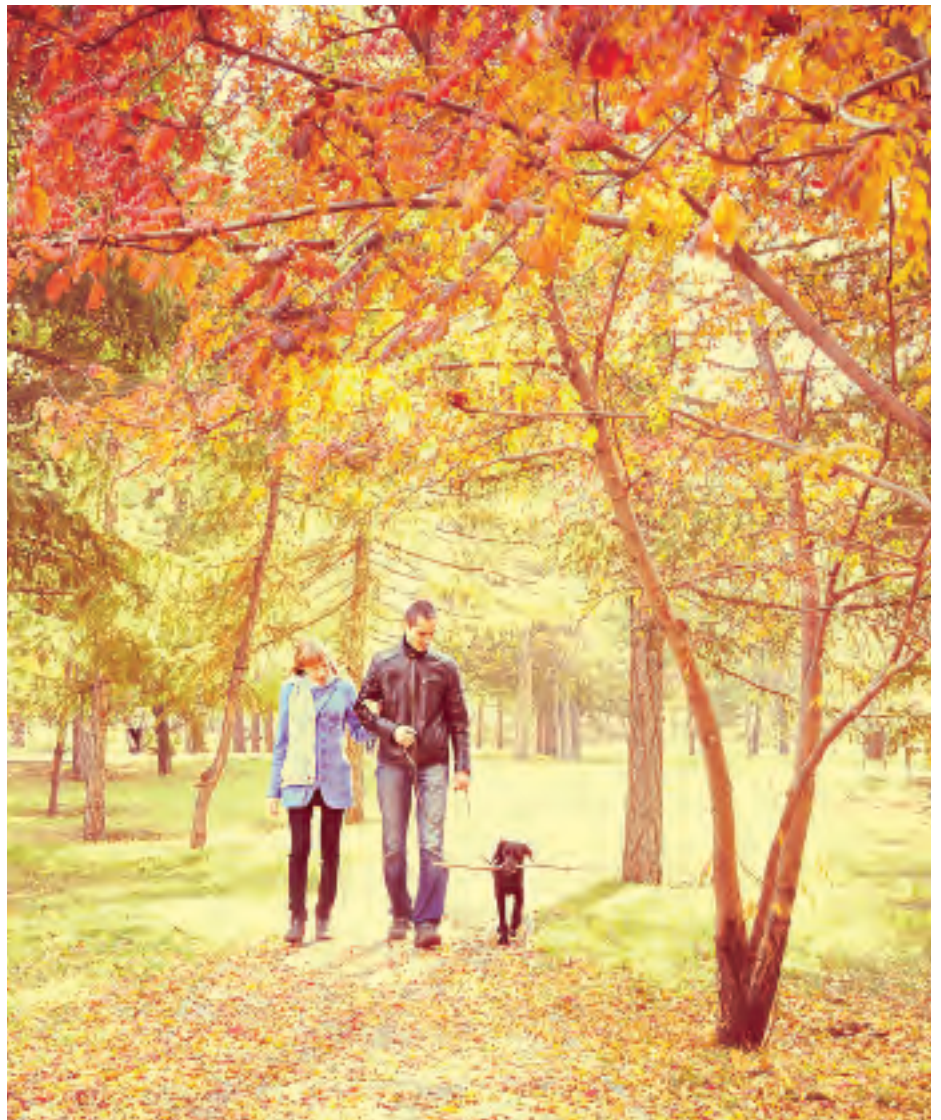
**CPV5W** Slimline stove shown in an inglenook



## Purevision™ CPV5W Slimline multi-fuel stove

This model is a wide Classic stove with a wide, large viewing glass like the CPV5W but is shallower in depth and slightly shorter. These slightly reduced sizes mean the stove is able to fit into more situations but offers the same performance and look.

- High-quality cast iron top plate and top blanking plate for rear flue connections
- The base unit is pre-fitted to the stove and comes with adjustable feet for levelling
- High-quality ceramic firebox liners that are self-cleaning, hardwearing and attractive
- Ecodesign 2022 already meeting the highest emissions regulations that are due to come into force
- Innovative active baffle system for flexibility and ease of use
- Black in colour.







PV5W NG gas stove on short stand







## Purevision™ PV5W gas stove

Offering the same aesthetic look and feel to the Purevision PV5W multi-fuel stove, the Natural Gas equivalent is ideal for those who want quick and easy heat at the touch of a button.

- Stylish Black steel stove with cast iron door
- Choice of beige or black glass liners in the fuel box
- Radio frequency remote control for ease of use
- Up to 81% efficiency offering excellent thermal properties and economical to run
- Choice of short stand or log store are available as an optional extra.



PV5W NG stove on short log store

# Purevision™

## PVR Cylinder multi-fuel stove range

### An Introduction

In the continuous pursuit of excellence in stove combustion technology, Charlton & Jenrick are proud to introduce the PVR panoramic stove models to the Purevision™ range. Refining the stove heating experience with maximised flame exposure, the new range extends the Purevision™ portfolio into three dimensions. The rationale behind the design is to showcase a pure, uncluttered panoramic fire view without compromise on glass width and height, in particular eliminating fixed side window frames whilst providing 2022 Ecodesign Ready certified ultra-clean combustion.

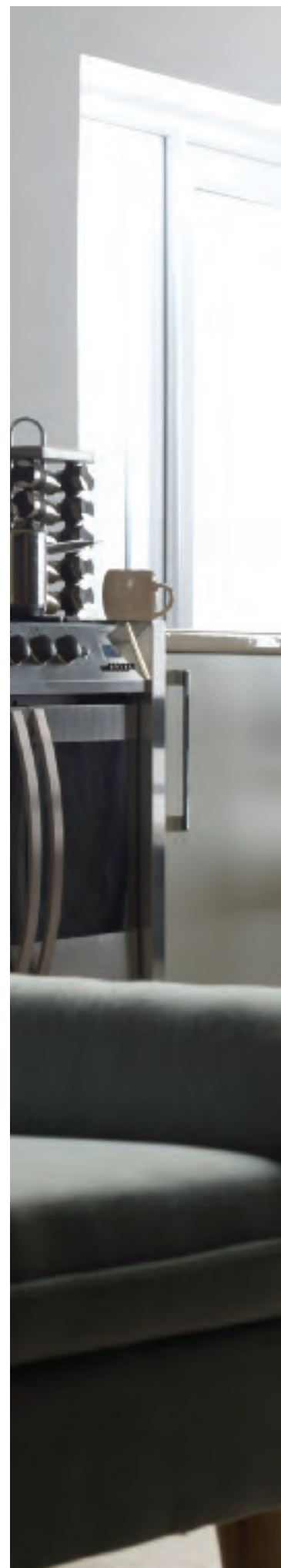
Having achieved the original brief, the stove layout lends itself equally to corner, flat wall or fireplace locations in providing a superb circumference of fire view from a single Schott Robax™ glass panel. Using the 180 degree combustion chamber, up to 12 different models can be built using combinations of heat exchanger, pedestal stand, log store and wall mounting options. Fireboxes are sized as 5kW nominal output and whilst designed primarily for wood burning are multi-fuel equipped with optional 100% direct external air kit available for maximum installation flexibility. Depending on how they are fired, PVR models will typically operate within a heat output range of 3.2-6.8kW whilst fully complying with DEFRA exemption requirements.

Designed and developed in Shropshire and approved in Gloucestershire, our Purevision PVR stove models contain innovative, technologically advanced and patented design features resulting in ultra-clean burning performance and high thermal efficiency of up to 87.2%. DEFRA exemption for burning wood in smokeless zones was a formality with test results a mere fraction of the limit values required under all conditions. To achieve this performance consistently for the end user, a very easy to use single cool touch operating lever is provided to control total air distribution and enable the changeover from wood to smokeless fuel types.

The huge, powerfully air washed Robax™ glass panel is mounted within a substantial laser profiled steel door assembly operated by a machined stainless steel cool touch handle and closed by an automatic latch system for ultimate ease of use. Only premium materials are used throughout, including the contoured ceramic firebox liner set, produced from micro-detail tooling specifically for these stoves. This material is superbly tough and self cleaning in service yet able to be cast into exquisite and intricate detail for the patented tertiary air profiling. Stainless steel is used for the convenient laser etched single control lever and generously proportioned door handle.

As expected with a premium product, several complimentary accessories accompany the stove. These include a heavy stainless steel operating tool and laser profiled stand, a stainless ash rake, a branded pair of heavy-duty stove gauntlets and a branded quality tool set for future servicing or adjustments.

We do hope that you enjoy owning and operating your Purevision stove as much as we have enjoyed designing, developing and producing it for you.







PVR Cylinder stove on high pedestal

## Purevision™

### PVR Cylinder multi-fuel stove on pedestal stands

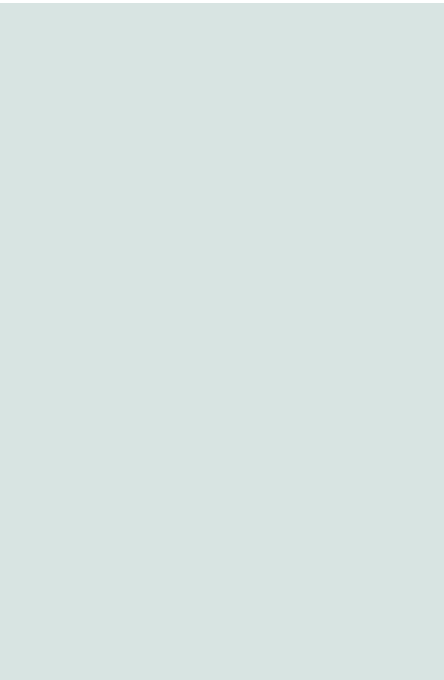
For that stylish continental look there is a choice of a high and low pedestal stand for the PVR Cylinder stove.

- Up to 180 degree panoramic ceramic glass window for unbeatable fire view
- 100% unrestricted fire view with no side window pillars, see the fire from all around when fitted against a flat wall – no need for swivelling base or flue connector
- Powerful fully pre-heated air wash system
- 70mm rear clearance from combustibles
- 200mm side clearance for combustible corner installations
- Cast iron fire base plate for wood burning included
- Stainless steel ash rake included
- Boost position for rapid re-ignition after refuel
- Multi-fuel cast iron bar grate included.



PVR Cylinder stove on low pedestal





PVR Cylinder stove on high pedestal



PVR Cylinder stove on low log store with door



## Purevision™ PVR Cylinder multi-fuel stove on log stores

- Extra wide door opening for cleaning and servicing firebox access
- Low emissions below 2022 Ecodesign requirements for both fuels
- DEFRA exempt to burn wood logs in smokeless zones
- 5kW nominal output with approximate operating range from 3.2-6.8kW
- Cool touch solid stainless steel handle
- Easy reach option to use multi tool to extend door handle
- Solid heavy-duty stainless steel multi tool and laser profiled stand included
- High-quality stove gloves provided
- Schott Robax™ curved ceramic glass panel
- Choice of high or low log store with optional doors.





PVR Cylinder stove on high log store without door



PVR Cylinder stove on high log store with heat exchanger

## Purevision™ PVR Cylinder multi-fuel stove in inglenook

Shown here is the hearth mounted option for maximum flexibility. Offering the same unique panoramic view as the other PVR stoves it can also be hearth mounted making it very versatile in where the stove can be installed.

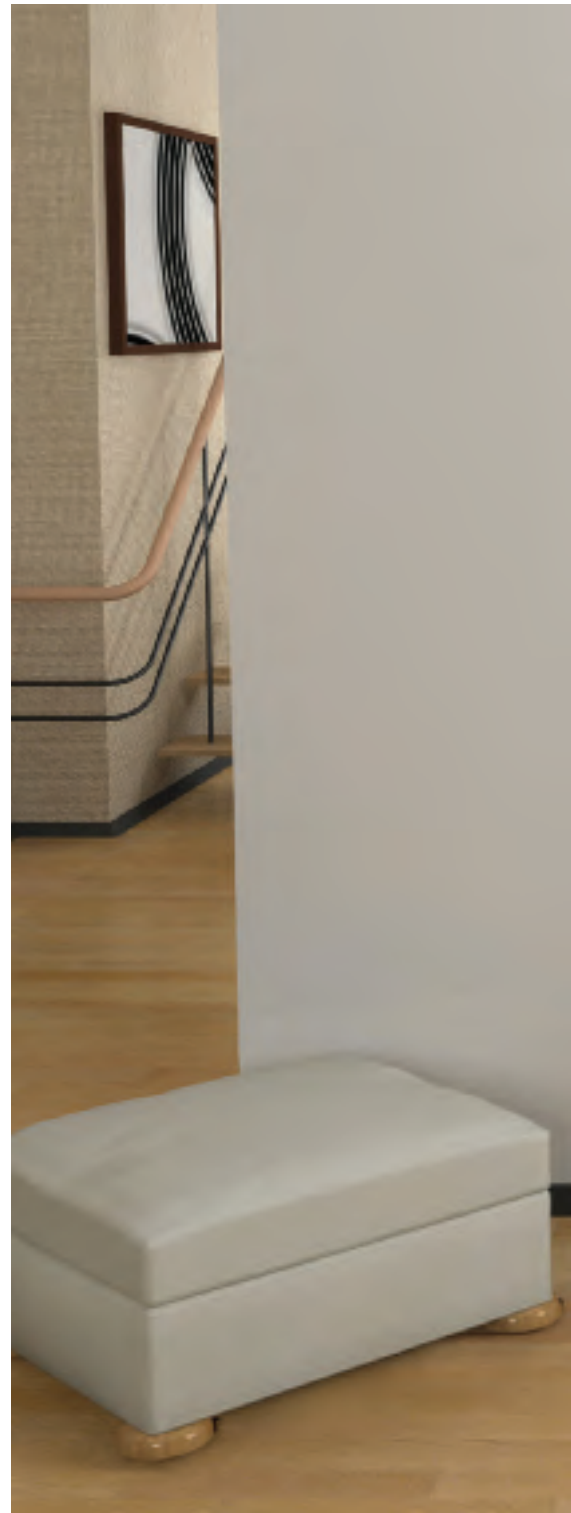
- Automatic door latch for effortless secure closure of door
- Huge panoramic window height and width to enjoy the full flame picture
- Multi-fuel capable for optional smokeless fuel use
- External air kit option for 100% external air intake
- Rear or base external air connection options
- Contemporary graphite grey metallic high temperature finish
- Single air control for all operations
- Heavy-duty engineering and seam welded laser profile construction
- Stainless steel 'shovel' ash pan solution.







PVR Cylinder stove (Engine Only)





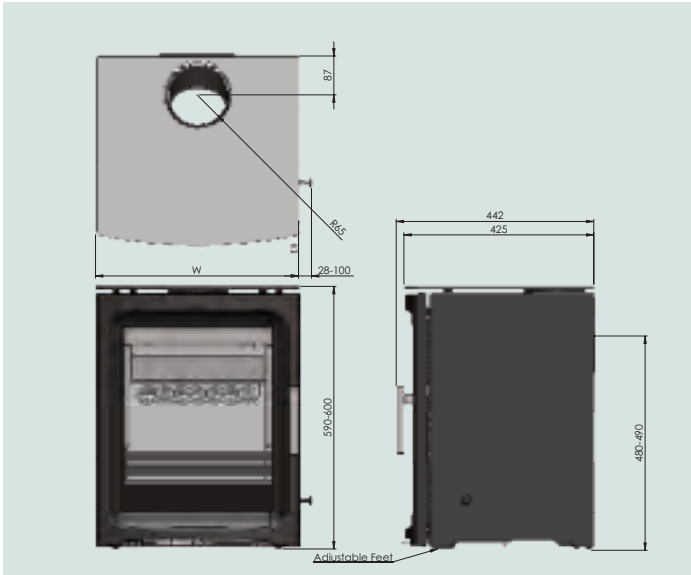


PVR square back hang on the wall cylinder stove

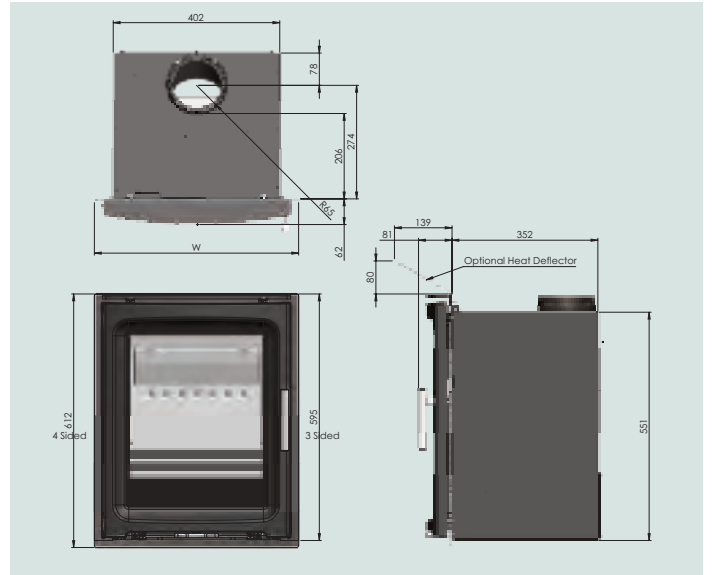
## Purevision™ PVR square back hang on the wall cylinder multi-fuel stove

- Wall mounting version compatible with combustible/timber wall constructions
- Unique active baffle solution for fast light up and easier refuelling
- Long life baffle assembly constructed in solid laser profiled stainless steel
- 5" flue connection for maximum installation flexibility
- Patented tertiary air system for rapid light off, clean burning with minimal emissions
- High-quality micro-detailed, self-cleaning cast ceramic firebox liners
- HETAS approved products
- SIA Ecodesign Ready verified products
- Range meets the strictest EU emissions control levels.

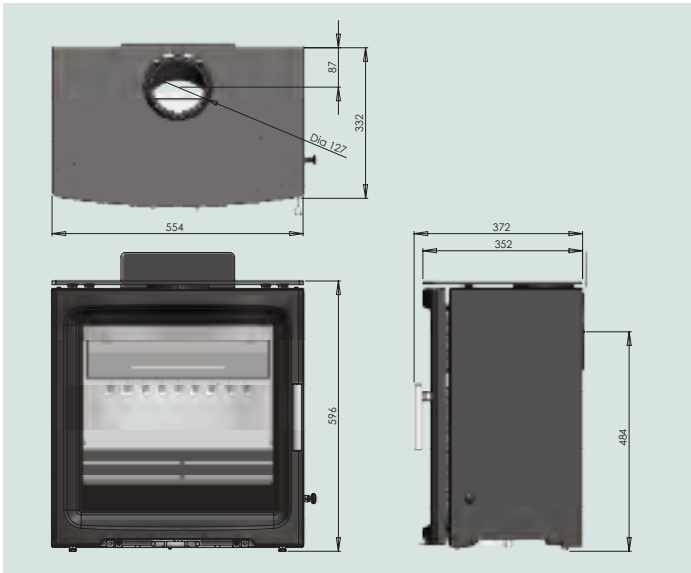
# Purevision™ Stove Dimensions



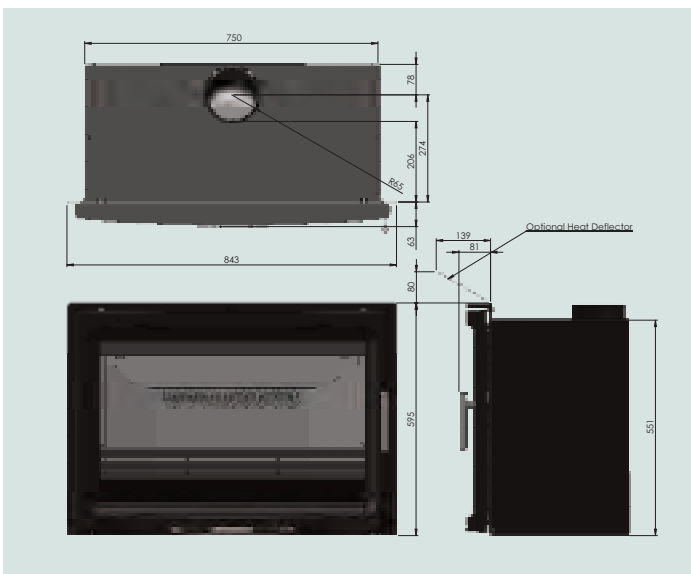
**PV5/BPV5** W=454mm **PV5W/BPV5W** W=554mm



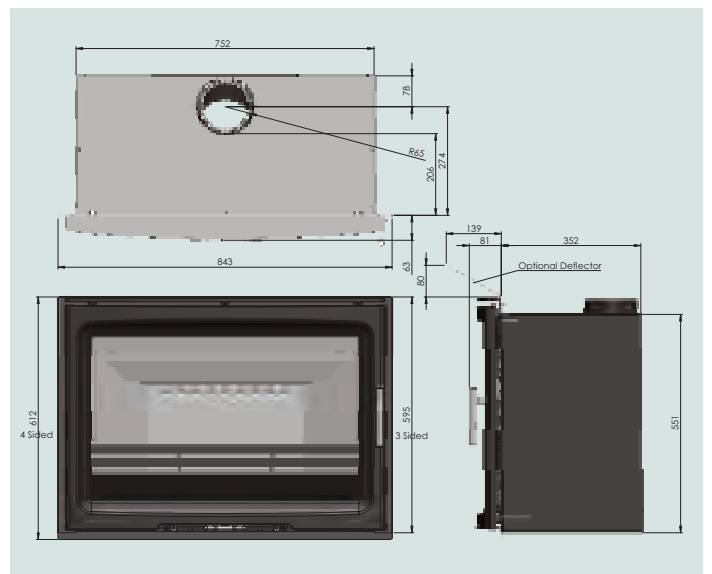
**PV5i** W=493mm **PV5iW** W=593mm



**PV5W/BPV5W Slimline**



**PV85**



**PV85i**



# Purevision™ Stove Specifications

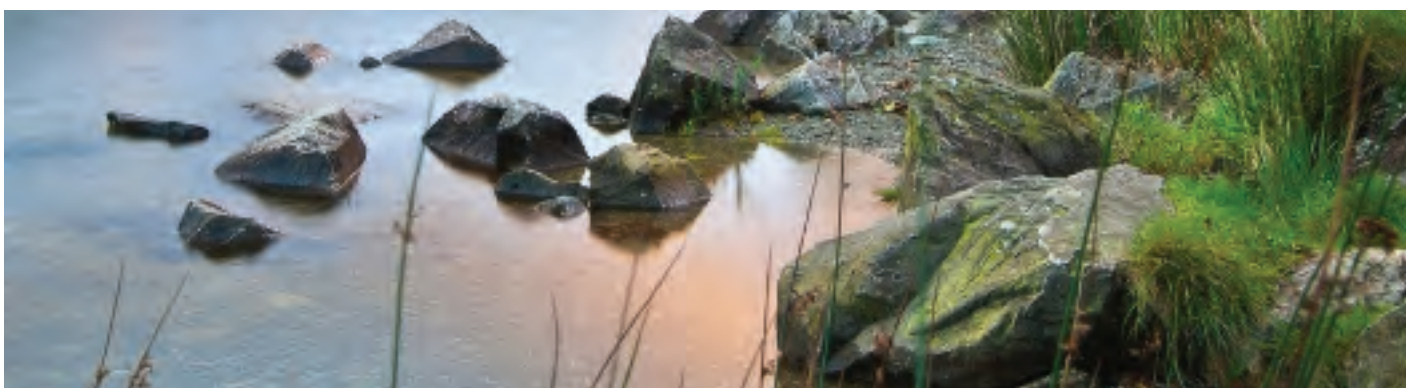
## PUREVISION RANGE MULTI-FUEL STOVES

MODEL	PV5/BPV5	PV5W/ BPV5W	PV5W-SLIM/ BPV5W-SLIM	PV85	PV5i	PV5iW	PV85i
Fuel:	Solid fuel or wood	Solid fuel or wood	Solid fuel or wood	Solid fuel or wood	Solid fuel or wood	Solid fuel or wood	Solid fuel or wood
Flue:	Top & Rear	Top & Rear	Top & Rear	Top & Rear	Top	Top	Top
Flue diameter:	127mm (5")	127mm (5")	127mm (5")	127mm (5")	127mm (5")	127mm (5")	127mm (5")
Finish:	Graphite Grey or Black	Graphite Grey or Black	Graphite Grey or Black	Graphite Grey	Graphite Grey	Graphite Grey	Graphite Grey
Appliance gross weight (kg):	105	120	105	153	91	109	146
Efficiency (%) wood/solid fuels:	80.2/82.0**	82.2/78.2**	77.1/82.5**	76.7/80.0**	80.2/82.0**	82.2/78.2**	76.7/80.0**
Declared nominal output (kW):	5	5	5	8.5	5	5	8.5
Approximate output range (kW):	3.1 - 6	3.8 - 8	3.8 - 6.5	4.9 - 10	3.1 - 6	3.8 - 8	4.9 - 10
Max log length:	300	400	400	400 - 650	300	400	400 - 650
EEL classification for ecolabelling 2018	A	A+	A	A	A	A+	A

\*\* For multi-fuel stoves, figures are shown for both fuels: wood/solid.

### Specifications

- Clean aesthetic design blends seamlessly with traditional or modern room and fireplace designs
- Very large glass windows on all models for the best possible view of the High Definition flames
- Patented for tertiary air-profiling system, which delivers the clean combustion and high efficiency required to meet or exceed the 2022 European Ecodesign Directive
- Automatic air distribution from a simple stainless steel single-lever control
- Powerful airwash system creating a clean High Definition (HD) fire view
- Self-latching door latches for ultimate ease of use, which are also self-adjusting as the door seals wear
- Modern hard-wearing graphite grey metalwork. Some models are also available in black
- Optional flexible external air system for direct connection to outside, potentially eliminating the need for fixed exterior ventilators in the room
- Superior high-quality cast ceramic firebox liners that offer great durability and are self-cleaning
- Rotary riddling grate
- Full-sized cast iron door
- Identical door designs on the freestanding and inset models
- Optional stands and log stores for the freestanding models
- Top and rear flue connections for the freestanding models, for flexible siting and easy installation
- Adjustable feet on the legs of freestanding stoves and on log stores
- All freestanding models require only a 12mm superimposed hearth extending underneath and 230mm in front of the stove
- DEFRA exemption for burning wood logs in smokeless zones
- Full multi-fuel capability as standard
- Active baffle innovation for easy starting and operation
  - IGN position for quick start and flue heat-up
  - MANUAL position for flues that do not require help
  - AUTO position for refuelling assistance.



# Purevision™ Active Baffle System

To enhance user experience and product adaptability a truly new and unique innovation has been introduced by Charlton & Jenrick across the Purevision stove range. Our active baffle system helps to reduce any possible user frustration when starting up or refuelling the stove by allowing free entry flue flow when required but automatically restoring ideal firebox conditions during normal running.

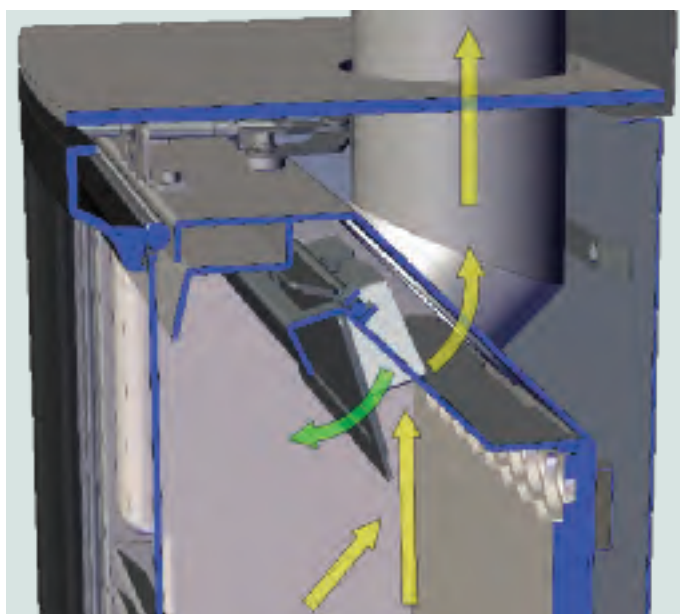
On a cold crisp winter afternoon, there is nothing better than lighting up your wood stove and enjoying the glow of relaxing warmth around the fire as the evening draws in. Stop and think for a minute then of the column of cold, dense, static air that can form within an external flue system when still conditions and freezing temperatures cause equalisation inside and outside of the duct. Chimneys only work by warm, less dense air rising within, thereby drawing in replacement air through the stove at the base. If there is no heat in the internal static air column and the density remains the same then it simply will not move until pushed out. Lighting any stove can be difficult and slow in that situation because all highly efficient modern stoves reject less waste heat up into the flue resulting in sluggish start-up with more smoke and emissions produced than desired.

Overcoming this flue flow inertia in difficult conditions was once the preserve of dedicated skill, technique and initiative obtained by years of operational practice. Now though, it has never been easier and simpler than using the new Purevision active baffle system. If conditions require it, simply switch the control lever into the Ignition position to open a dedicated through-flow channel allowing initiation heat straight into the flue pipe for rapid gas acceleration. Once up and running with an established fire bed, switching back to the Automatic position allows the flue channel to open when the door is opened, assisting rapid evacuation of fresh fuel gases

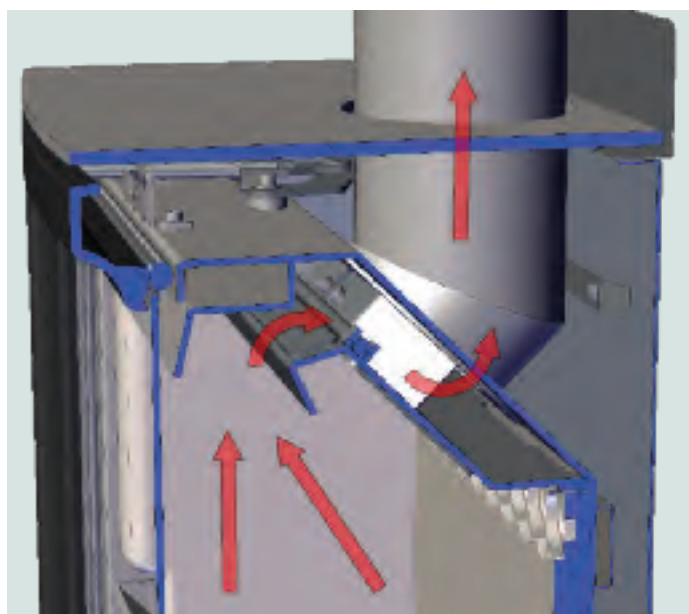
when refuelling. Once the door is closed again, firebox gas flow conditions are restored to optimal by the lever mechanism, allowing high thermal efficiency and complete combustion to be achieved. Should the facility not be required once the flue system is warm then the operating lever can be placed into the Closed position, returning the baffle to a static condition until active operation is next required.

Deliberately heavily manufactured in high grade tough and thick stainless steel, the system has been designed to be easy to maintain and have a durable lifetime. Simple practicalities of sweeping and cleaning have not been overlooked either, the unit being sensibly engineered to ensure that service access such as removing the baffle plate and other firebox items does not require any tools. Considerable thought and design intent has also gone into easy set up and adjustment. A spring retracting solid stainless steel roller mechanism propels the baffle channel from open to closed and is easily adjustable with a single thread provided at the top of the firebox. The C&J active baffle system is supplied as standard on all Purevision stoves both freestanding and inset.

With recent growth in the installation of new wood burning stoves and additional external flue systems into properties this innovation is sure to return dividends wherever temperature equalisation or resistance to start-up flue flow is likely to occur. Even in properties where any difficulty is very unlikely to occur, why compromise and go without this bespoke facility when it is available right across the broad Purevision range? High performance has become more commonplace with Ecodesign Ready stoves but easy operation, flexibility, adaptability and innovative solutions still needs to be sought out – Purevision's new active baffle system provides all of that and much more.



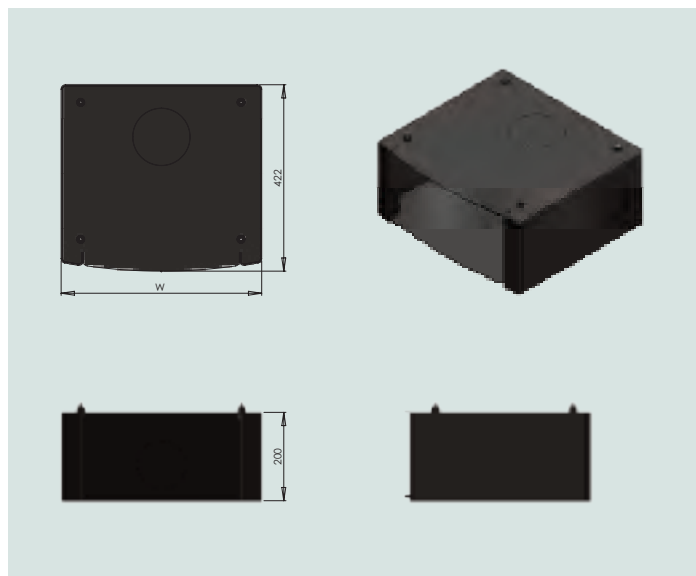
**Baffle open** – start-up flow



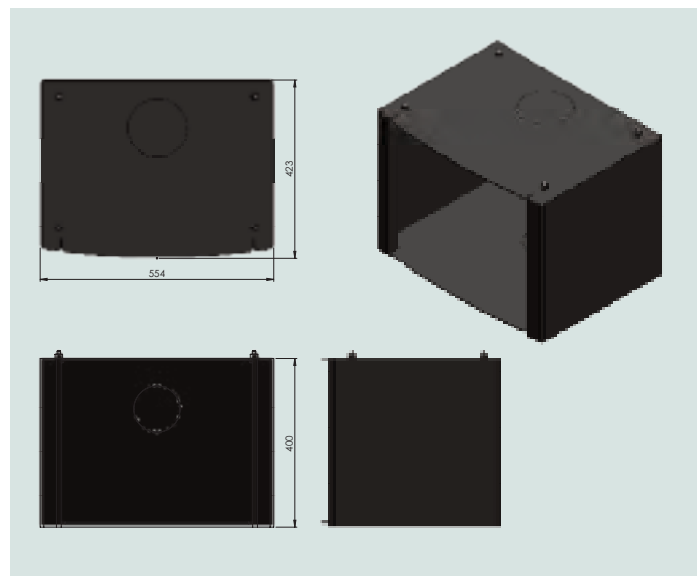
**Baffle closed** – normal running



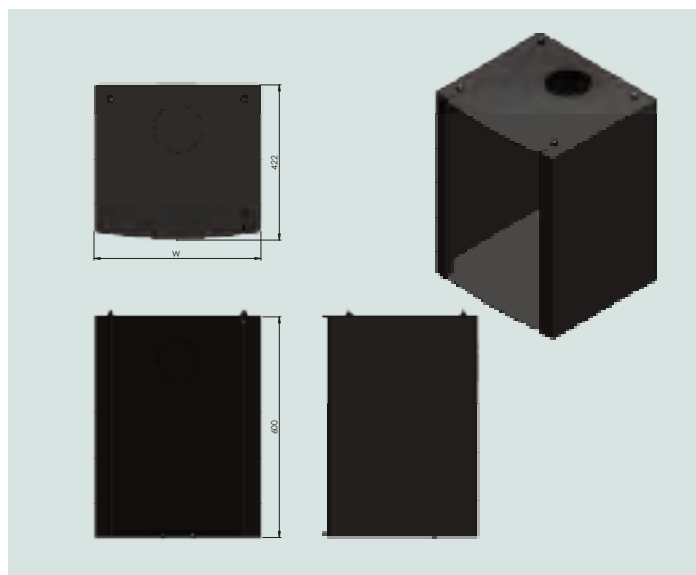
# Purevision™ Log Store Dimensions



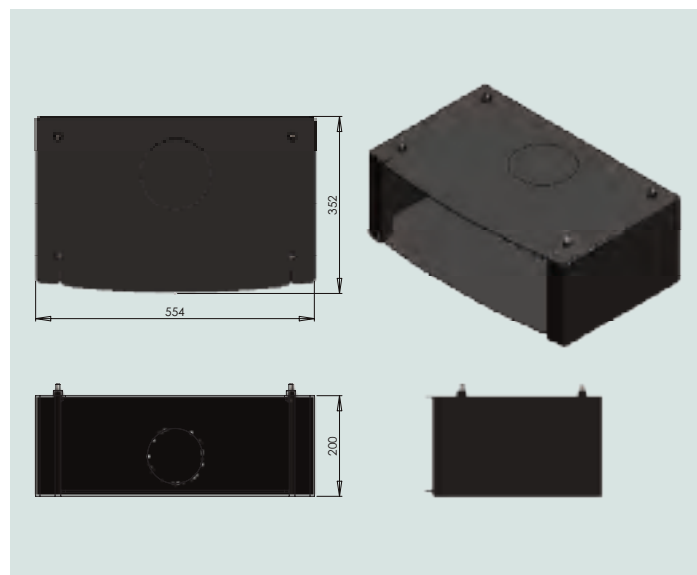
**PV5** Log Store Short W=454mm **PV5W** W=554mm



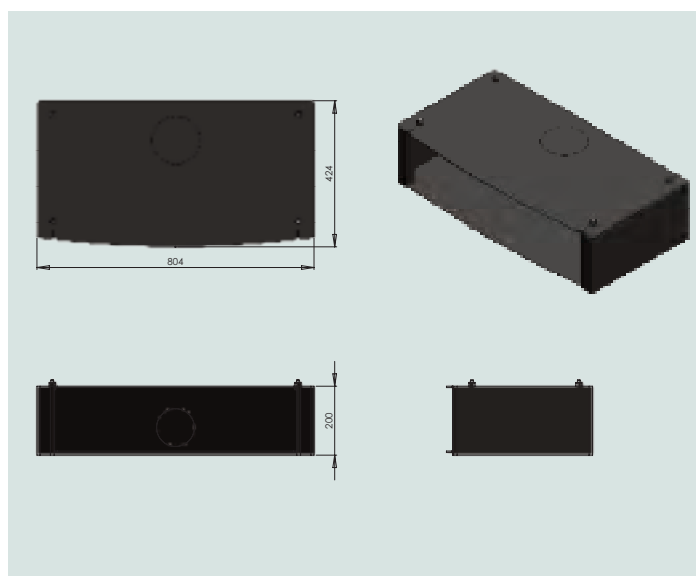
**PV5** Log Store Midi W=454mm **PV5W** W=554mm



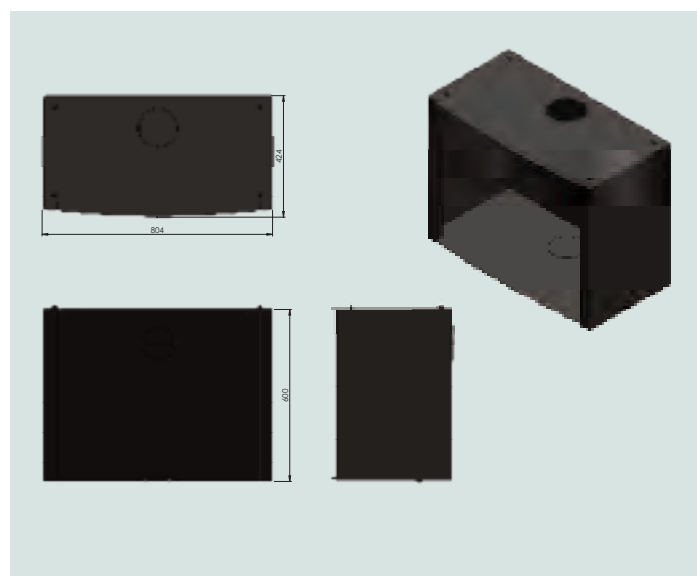
**PV5** Log Store Tall W=454mm **PV5W** W=554mm



**PV5W** Slimline Log Store

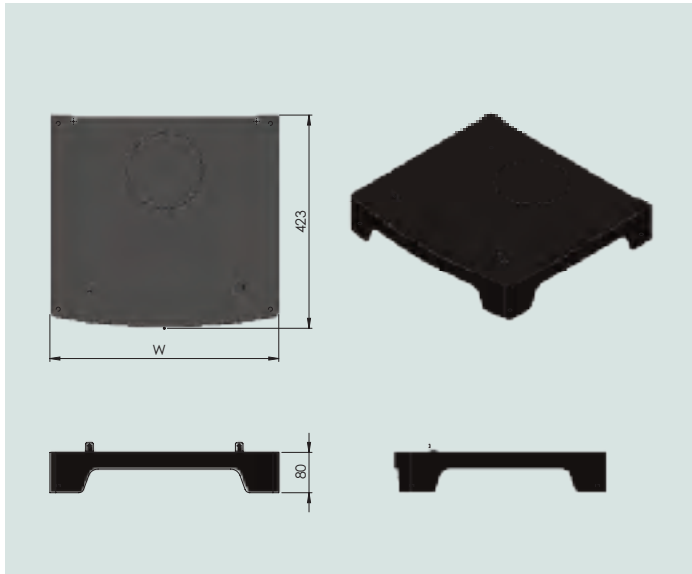


**PV85** Log Store Short

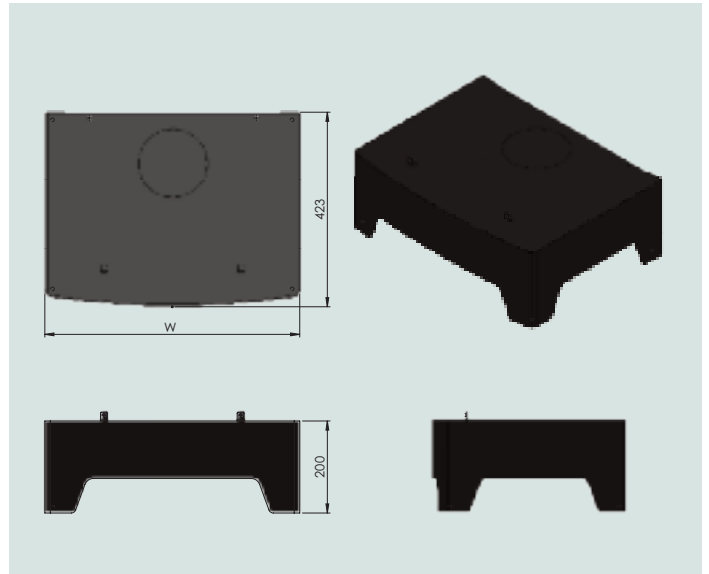


**PV85** Log Store Tall

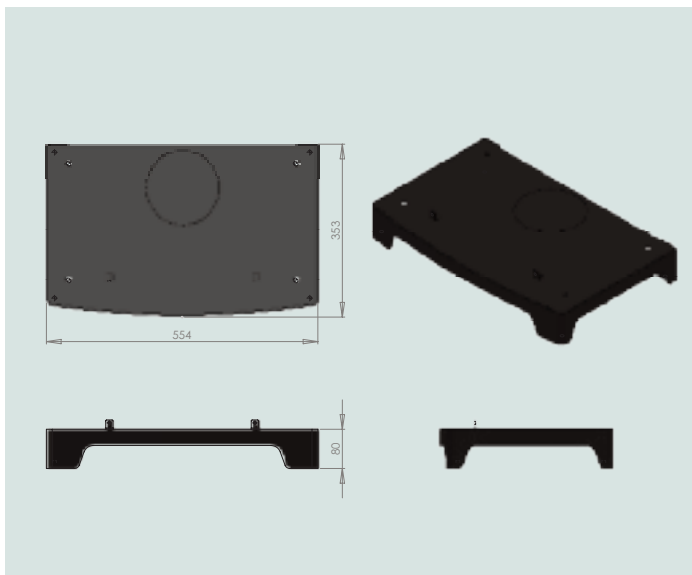
# Purevision™ Stove Stand Dimensions



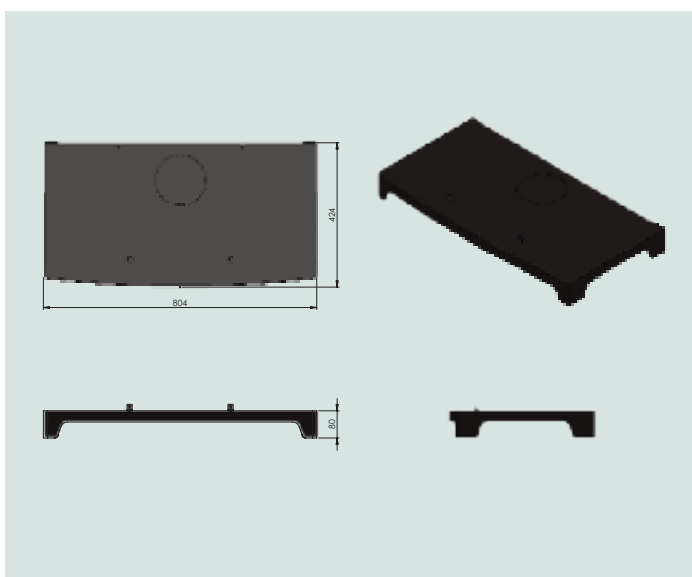
**PV5** Short Stand W=454mm **PV5W** W=554mm



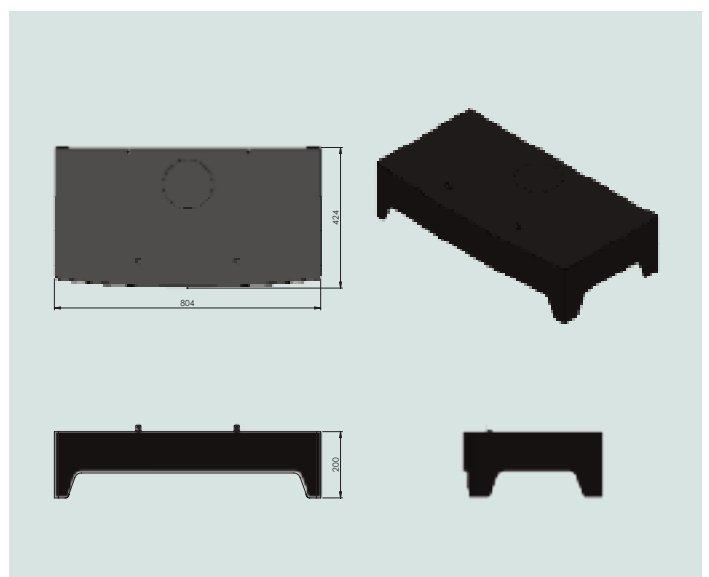
**PV5** Tall Stand W=454mm **PV5W** W=554mm



**PV5W** Slimline Short Stand



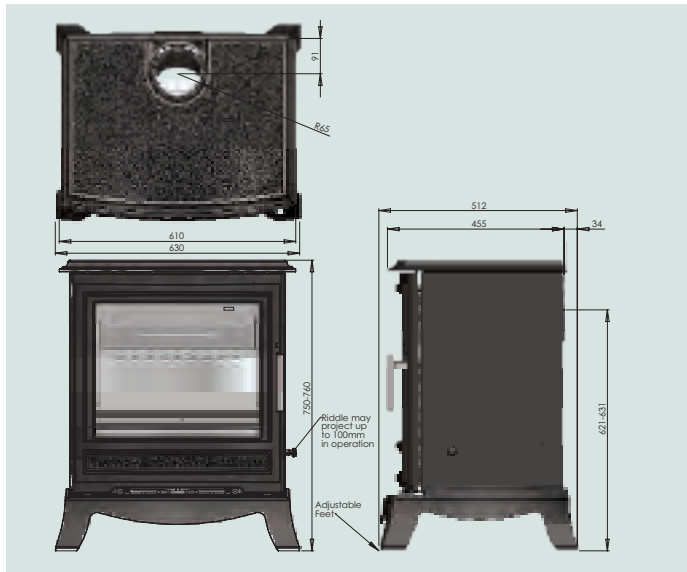
**PV85** Short Stand



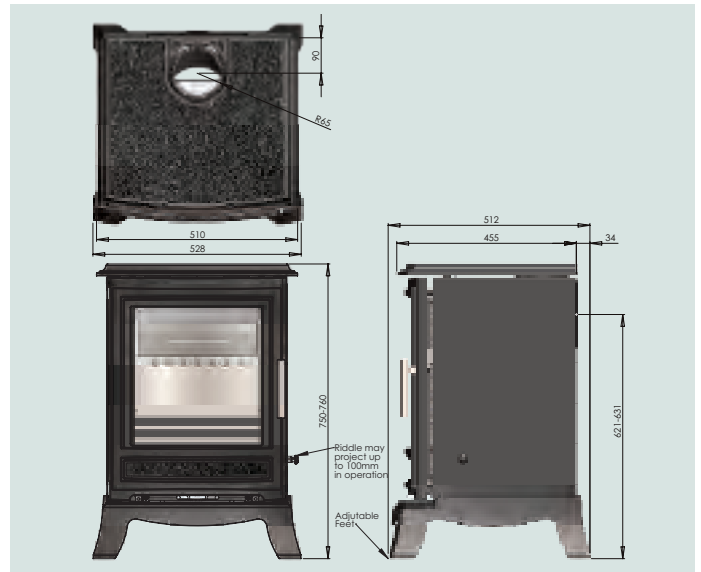
**PV85** Tall Stand



# Purevision™ Dimensions & Specifications



CPV5W



CPV5

## PUREVISION CLASSICAL RANGE MULTI-FUEL STOVES

MODEL	CPV5	CPV5W	CPV5W-SLIMLINE
Fuel:	Solid fuel or wood	Solid fuel or wood	Solid fuel or wood
Flue:	Top & Rear	Top & Rear	Top & Rear
Flue diameter:	127mm (5")	127mm (5")	127mm (5")
Finish:	Black	Black	Black
Appliance gross weight (kg):	126	146	130
Efficiency (%) wood/solid fuels:	80.2/82.0**	82.2/78.2**	77.1/82.5**
Declared nominal output (kW):	5	5	5
Approximate output range (kW):	3.1 - 6	3.8 - 8	3.8 - 6.5
Max log length:	300	400	400
EEL classification for ecolabelling 2018	A	A+	A



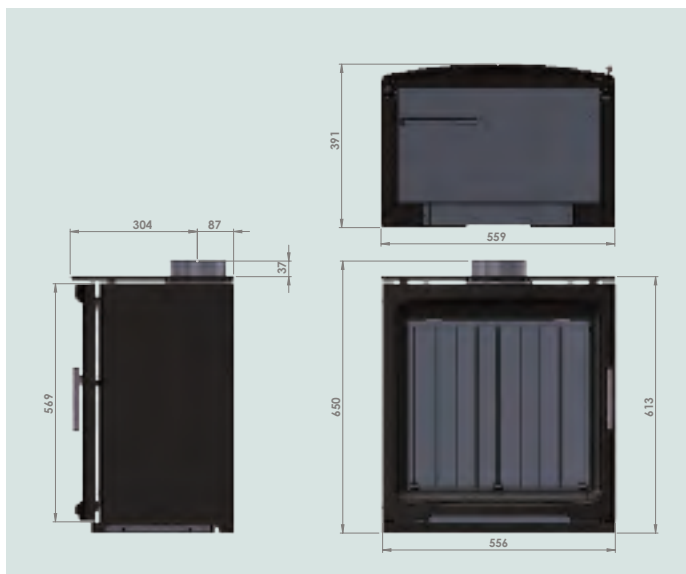
CPV5 slimline

\*\* For multi-fuel stoves, figures are shown for both fuels: wood/solid.

## Specifications

- Substantially sized stove with huge glass fire viewing area
- Active baffle innovation for easy starting and operation
  - IGN position for quick start and flue heat-up
  - MANUAL position for flues that do not require help
  - AUTO position for refuelling assistance
- Solid Stainless steel baffle and mechanism
- All 5kW nominal outputs for ventilation flexibility. Approx range – CPV5 3-6 kW – CPV5W 3.8-8 kW
- High-quality cast iron top blanking plate for rear flue connections or infill piece for top flues
- High-quality cast iron base unit (pre-fitted) with adjustable feet for levelling
- Rear of base unit has full detailing of legs and body for aesthetic benefit when freestanding
- Reduced clearances to combustibles using included free heatshield and twin wall flue connection
  - Rear: 100mm CPV5 Side: 250mm
  - Rear: 150mm CPV5W Side 250mm
- 5" flue connections for flexibility of flueing (still use minimum 6" diameter wherever possible)
- Single air control (wood/coal – primary/secondary/tertiary air)
- Multi-fuel capable
- Ceramic Firebox linings
- Direct outside air connection kit available (registerable by HETAS)
- High Definition flame picture
- DEFRA exempt for burning in smokeless controlled areas
- Solid stainless steel heavy-duty operating tool and stand
- Quality maintenance tool roll provided.

# Purevision™ Dimensions & Specifications



## Specifications

- Clean aesthetic design blends seamlessly with traditional or modern room and fireplace designs
- Very large glass windows on all models for the best possible view of the High Definition flames
- Modern hard-wearing black metalwork
- Full-sized cast iron door
- Optional stand and log store
- Adjustable feet on the legs of the stove and on log store
- Radio frequency remote controlled
- Choice of beige ceramic or black mirror glass liners
- Realistic logs and flame effect look nearly as good as the real thing!

**PV5W** gas stove

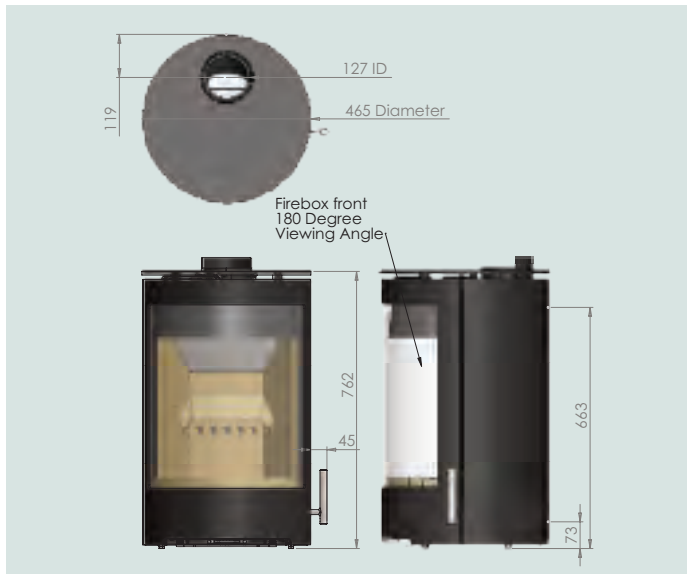
## PUREVISION GAS STOVES

MODEL	PV5W Gas
Gas Category:	I2H
Gas Type:	Natural Gas
Working Pressure:	20 Millibar
Front Injector:	Mrk 220A
Rear Injector:	Mrk 190
Gas Input:	5.5kW Gross
NOX Class:	5
Oxy Pilot:	2900 NGR
Country:	GB, IE
Input low	3.4 kW
Output High	4.05 kW
Gross Efficiency	73.67 %
Net Efficiency	81.81 %





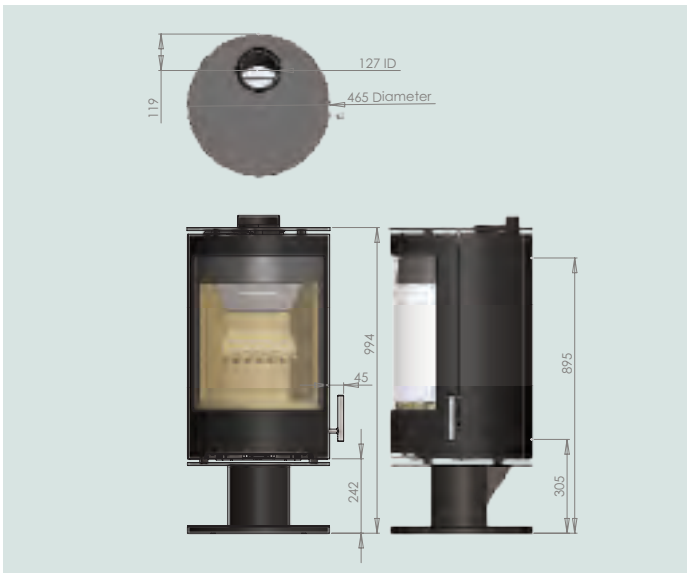
# Purevision™ PVR Dimensions & Specifications



**PVR cylinder assembly**



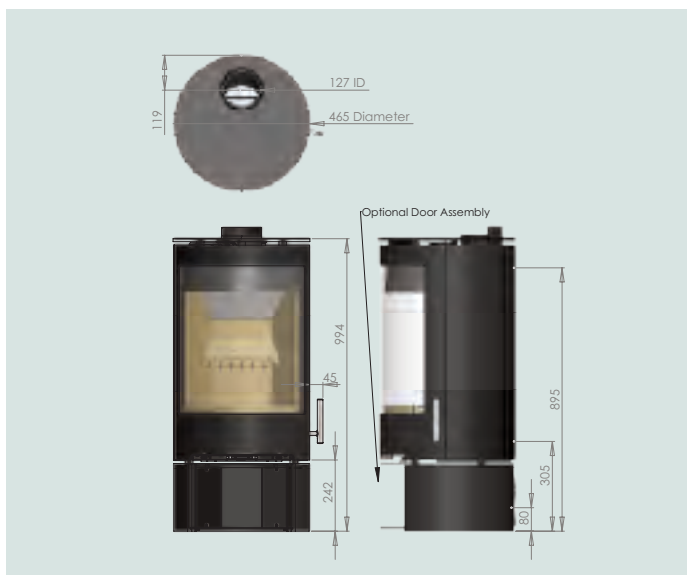
**PVR cylinder assembly with heat exchanger**



**PVR cylinder assembly with low pedestal stand**



**PVR cylinder assembly with high pedestal stand**



**PVR cylinder assembly with low log store stand**



**PVR cylinder assembly with high log store stand**



**PVR** square back wall mount

### PVR PANORAMIC STOVE RANGE

MODEL	PVR 5kW	PVR 5kW with Heat Exchanger
Appliance weight (packed/unpacked) (Kg):	105/94	105/94
Approximate Output Range: (kW)	3.2 – 6.8	3.2 – 6.8
Harmonised EN European Standard (hEN):	EN13240: 2001 Amd 2: 2004	EN13240: 2001 Amd 2: 2004
EEL classification for ecolabelling 2018	A	A+
<b>Performance Characteristics using Wood Fuel</b>		
Total Efficiency: (%)	76.8	83.9
Declared nominal output: (kW)	5	5
Mean C <sub>n</sub> H <sub>m</sub> emission (@13% O <sub>2</sub> ): (Nmg/m <sup>3</sup> )	45	52
Mean NO <sub>x</sub> emission (@13% O <sub>2</sub> ): (Nmg/m <sup>3</sup> )	86	89
DIN+ particulates (@13% O <sub>2</sub> ): (Nmg/m <sup>3</sup> )	13	13
PD6434 Particulate Emissions High output: (gh <sup>-1</sup> )	2.3	2.3
PD6434 Particulate Emissions Low output: (gh <sup>-1</sup> )	1.5	1.5
Optical Density Time > 0.2 High (Mins)	0	0
Optical Density Time > 0.2 Low (Mins)	0.2	0.2
Approximate Max Log Length: (mm)	300	300
<b>Performance Characteristics using Maxibrite Briquetted Smokeless Fuel</b>		
Total Efficiency: (%)	81.8	87.2
Declared nominal output: (kW)	5	5
Mean C <sub>n</sub> H <sub>m</sub> emission (@13% O <sub>2</sub> ): (Nmg/m <sup>3</sup> )	22	15
Mean NO <sub>x</sub> emission (@13% O <sub>2</sub> ): (Nmg/m <sup>3</sup> )	105	124
DIN+ particulates (@13% O <sub>2</sub> ): (Nmg/m <sup>3</sup> )	20	25
<b>Safety Distances From Combustibles</b>		
Side Wall: (mm)	400/600	400/600
Rear Wall: (mm)	175/70	175/70



## Specifications

- Up to 180 degree panoramic ceramic glass window for unbeatable fire view
- 100% Unrestricted fire view with no side window pillars
- See the fire from all around when fitted against a flat wall – no need for swivelling base or flue connector
- Powerful fully pre-heated air wash system
- 70mm rear clearance from combustibles
- 200mm side clearance for combustible corner installations
- 12 different firebox, stand and heat exchanger configurations to suit every customer requirement
- Extra wide door opening for cleaning and servicing firebox access
- Low emissions below 2022 Ecodesign requirements for both fuels
- DEFRA exempt to burn wood logs in smokeless zones
- High-efficiency up to 87% with optional heat exchanger module
- 5kW nominal output with approximate operating range from 3.2-6.8kW
- Cool touch solid stainless steel handle
- Easy reach option to use multi tool to extend door handle
- Automatic door latch for effortless secure closure of door
- Huge panoramic window height and width to enjoy the full flame picture
- Multi-fuel capable for optional smokeless fuel use
- Wall mounting version compatible with combustible/timber wall constructions
- Hearth mounting option for maximum flexibility
- Optional stands and log stores
- Optional door kits for log stores
- External air kit option for 100% external air intake
- Rear or base external air connection options
- Contemporary graphite grey metallic high temperature finish
- Single air control for all operations
- Boost position for rapid re-ignition after refuel
- Cast iron fire base plate for wood burning included
- Multi-fuel cast iron bar grate included
- Stainless steel ash rake included
- Solid heavy-duty stainless steel multi tool and laser profiled stand included
- High-quality stove gloves provided
- Heavy-duty engineering and seam welded laser profile construction
- Schott Robax™ curved ceramic glass panel
- Stainless steel 'shovel' ash pan solution
- Unique active baffle solution for fast light-up and easier refuelling
- Long life baffle assembly constructed in solid laser profiled stainless steel
- 5" flue connection for maximum installation flexibility
- Patented tertiary air system for rapid light off, clean burning with minimal emissions
- High-quality micro-detailed, self-cleaning cast ceramic firebox liners
- HETAS approved products
- SIA Ecodesign Ready verified products
- Range meets the strictest EU emissions control levels.



# Purevision™

## Technical Design and Performance Details

Charlton & Jenrick invests in a substantial programme of continuous research and development from which the Purevision range of SIA Ecodesign Ready high technology wood and multi-fuel burning stoves began to emerge during 2014. Giving the user high efficiency performance and low emissions by incorporating a patented bespoke air profiling system and constructed with ultra-high specification materials and workmanship, the range has set new standards in multi-fuel home heating.

The team here at Charlton & Jenrick has developed no-compromise examples of the latest batch-fed combustion technology, meeting or exceeding the toughest emissions standards in Europe – amongst the highest in the world – whilst maintaining state of the art thermal efficiencies of up to 87%. This level of performance was long thought to be nearly impossible, but here it is in production ready for you to enjoy the benefits whilst as far as possible protecting the environment. Long gone is the theory that you need a dedicated wood burner rather than a multi-fuel stove for the best possible combustion of wood. Charlton & Jenrick has once and for all solved that conundrum and turned it into a myth.

Not satisfied with merely achieving technical combustion excellence for environmental and efficiency benefits, Charlton & Jenrick has incorporated a huge number of advanced features into all its products for ultimate ease of installation, operation and use in the home environment.

The range comprises inset, freestanding, heat exchanger and wall mounted models from 5kW nominal, through 5kW wide and panoramic models to the larger 8.5kW fireboxes for greater presence and flame picture impact. Externally the heavyweight doors have elegant lines and sophisticated curves to complement and enhance a vast range of interior design or fireplace choices. Exceptionally large glass panels maximise the view of the spectacular yet low emission wood flames. Freestanding models

benefit from optional stands and log stores for convenience and ease of use. Pedestals are also available for the PVR range to make operation and refuelling a pleasure. For installation flexibility, all freestanding models are compatible with superimposed hearths and the PVR wall-mounting model can even be fitted to a suitably constructed strong timber wall. Inset models retain all the aesthetic qualities of the freestanding models and avoid compromise often seen with inset stoves. Every model uses patented tertiary air profiling technology, cast with exquisite detail into the fine quality high-durability ceramic firebox liners. All stoves in the Purevision range have 5" flue connectors with top and rear options on freestanding models. A dedicated external air system can provide 100% combustion air from outside the property, in most cases effectively eliminating the need to install open air vents to the room. Automatic door latches and the broad air cooled solid stainless steel handle mean that refuelling actions are smooth and simple. A single laser etched stainless steel air control lever automatically distributes combustion air to the firebox for the optimum burn. Inside, most components are removable without any tools for easy cleaning and servicing. The unique Purevision active baffle system is constructed from solid stainless steel and provides bespoke operational flexibility that no other UK stove manufacturer can currently offer.

To complete the whole package a complementary solid stainless steel operating tool and stand are provided together with a branded tool roll and high-quality tools to make sure every detail is covered, leaving nothing to chance.

The entire range of Purevision stoves are 2022 SIA Ecodesign ready verified and listed, HETAS approved and listed, DEFRA exempt and listed, designed and manufactured under both ISO9001 quality and ISO14001 Environmental management systems and of course fully CE marked to the latest European standards – for total peace of mind.

PUREVISION  N

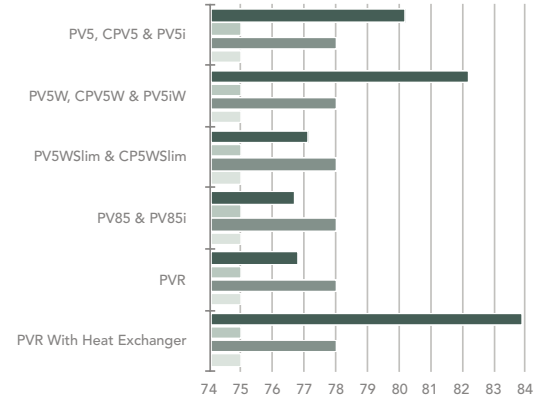


# Purevision™ Wood-burning Technical Data

## Total efficiency

Total efficiency is measured using well established methods from harmonised EU standards EN 13240 and EN 13229. It is an indicator of the ability of a stove to turn fuel into heat for you. Although sometimes misrepresented, it is not in fact a measure of clean burning at all – always look at emissions data for that information. Many clean-burning stoves have a low total efficiency and many efficient stoves have high emissions.

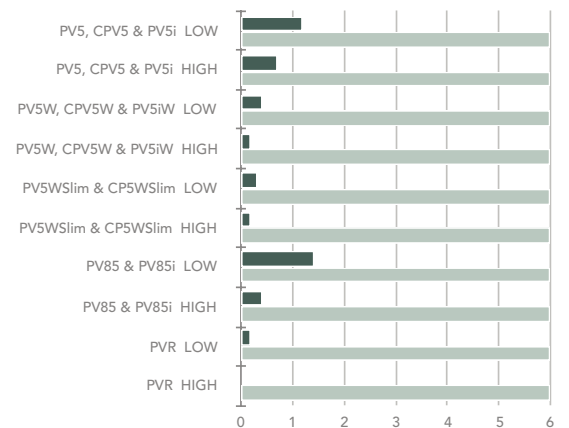
	PV5, CPV5 & PV5i	PV5W, CPV5W & PV5iW	PV5WSlim & CP5WSlim	PV85 & PV85i	PVR	PVR with Heat Exchanger
Purevision Efficiency (%)	80.2	82.2	77.1	76.7	76.8	83.9
Nordic Eco Label Efficiency (%)	75	75	75	75	75	75
DIN+ Efficiency Limit (%)	78	78	78	78	78	78
Ecodesign EU Efficiency Limit 2022 (%)	75	75	75	75	75	75



## DEFRA Optical Density

This graph demonstrates the excellent clean-burning characteristics of the Purevision™ stove range during strictly controlled testing for DEFRA smokeless zone exemption for burning wood logs. Average optical density readings beat limits by up to 97% and average electrostatic precipitator particulate emissions exceed requirements by up to 75%.

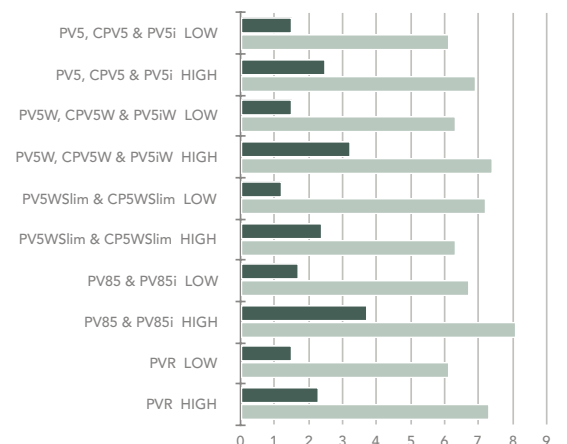
	PV5, CPV5 & PV5i	PV5, CPV5 & PV5i	PV5W, CPV5W & PV5iW	PV5W, CPV5W & PV5iW	PV5W Slim & CP5W Slim	PV5W Slim & CP5W Slim	PV85 & PV85i	PV85 & PV85i	PVR	PVR
	LOW	HIGH	LOW	HIGH	LOW	HIGH	LOW	HIGH	LOW	HIGH
Optical Density (mins >0.2)	1.2	0.7	0.4	0.2	0.3	0.2	1.4	0.4	0.2	0
Optical Density Limit (mins >0.2)	6	6	6	6	6	6	6	6	6	6



## DEFRA PD6434 Particulate Emissions

This graph also demonstrates the excellent clean-burning characteristics of the Purevision™ stove range during strictly controlled testing for DEFRA smokeless zone exemption for burning wood logs. Average optical density readings beat limits by up to 97% and average electrostatic precipitator particulate emissions exceed requirements by up to 75%.

	PV5, CPV5 & PV5i	PV5, CPV5 & PV5i	PV5W, CPV5W & PV5iW	PV5W, CPV5W & PV5iW	PV5W Slim & CP5W Slim	PV5W Slim & CP5W Slim	PV85 & PV85i	PV85 & PV85i	PVR	PVR
	LOW	HIGH	LOW	HIGH	LOW	HIGH	LOW	HIGH	LOW	HIGH
Purevision PD6434 Particulates (g/h)	1.5	2.5	1.5	3.2	1.2	2.4	1.7	3.7	1.5	2.3
PD6434 Particulates Limit (g/h)	6.1	6.9	6.3	7.4	7.2	6.3	6.7	8.1	6.1	7.3

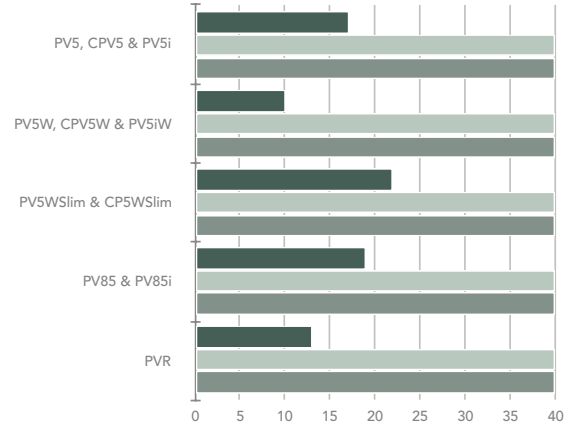


# Purevision™ Wood-burning Technical Data

## DIN+ Particulate Emissions

DIN+ particulate measurements are a comparative assessment of clean burning used extensively in Europe. Emissions from the Purevision™ range are up to 75% lower than the strictest EU requirements, including the 2022 Ecodesign Directive.

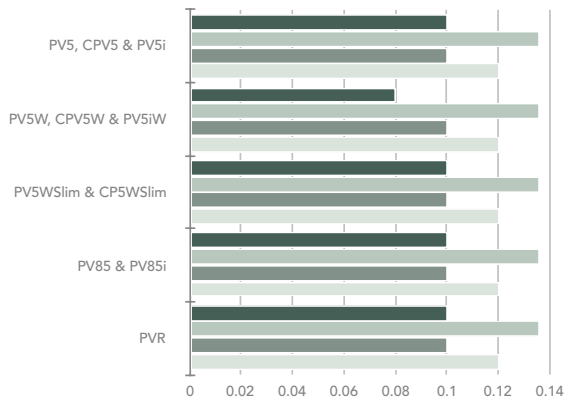
	PV5, CPV5 & PV5i	PV5W, CPV5W & PV5iW	PV5WSlim & CP5WSlim	PV85 & PV85i	PVR
Purevision DIN+ Particulates (Nmg/m <sup>3</sup> )	17	10	22	19	13
DIN+ Particulate Limit (Nmg/m <sup>3</sup> )	40	40	40	40	40
Ecodesign EU Particulate Limit 2022 (Nmg/m <sup>3</sup> )	40	40	40	40	40



## CO Emissions

CO emissions are being reduced and current EN 13240/13229 limits of 1% are being updated. Charlton & Jenrick aims for 0.1% or less when burning wood. The Purevision™ range already meets or exceeds the strictest EU requirements, including the 2022 Ecodesign Directive.

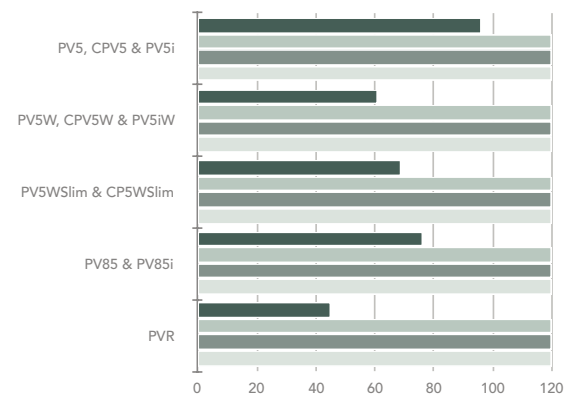
	PV5, CPV5 & PV5i	PV5W, CPV5W & PV5iW	PV5WSlim & CP5WSlim	PV85 & PV85i	PVR
Purevision CO (%)	0.1	0.08	0.1	0.1	0.1
Nordic Eco Label CO (%)	0.136	0.136	0.136	0.136	0.136
DIN+ CO Limit (%)	0.1	0.1	0.1	0.1	0.1
Ecodesign EU CO Limit 2022 (%)	0.12	0.12	0.12	0.12	0.12



## Organic Gaseous Carbon Emissions

Organic Gaseous Carbon forms part of emissions testing and is measured according to well established methods such as DIN+. The Purevision™ range already meets or exceeds the strictest EU requirements, including the 2022 Ecodesign Directive.

	PV5, CPV5 & PV5i	PV5W, CPV5W & PV5iW	PV5WSlim & CP5WSlim	PV85 & PV85i	PVR
Purevision OGC (Nmg/m <sup>3</sup> )	96	61	69	76	45
Nordic Eco Label OGC Limit (Nmg/m <sup>3</sup> )	120	120	120	120	120
DIN+ CO Limit (Nmg/m <sup>3</sup> )	120	120	120	120	120
Ecodesign EU OGC Limit 2022 (Nmg/m <sup>3</sup> )	120	120	120	120	120

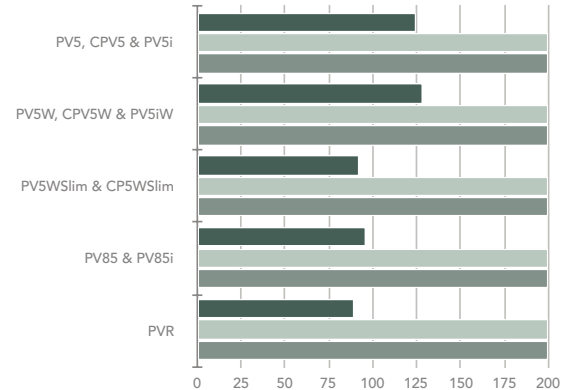




## NOx Emissions

Emissions of nitric oxide and nitrogen dioxide (known collectively as NOx) are monitored as part of worldwide air quality standards and can be tested using DIN+ methods. Purevision™ stoves NOx emissions far exceed the strictest EU requirements and the 2022 Ecodesign Directive.

	PV5, CPV5 & PV5i	PV5W, CPV5W & PV5iW	PV5WSlim & CP5WSlim	PV85 & PV85i	PVR
Purevision DIN+ NOx (Nmg/m <sup>3</sup> )	124	128	92	96	89
DIN+ NOx Limit (Nmg/m <sup>3</sup> )	200	200	200	200	200
Ecodesign EU NOx Limit (Nmg/m <sup>3</sup> )	200	200	200	200	200



## Charlton & Jenrick Company and Product Accreditations

Charlton & Jenrick have made a very substantial investment over the years in obtaining a wide range of accreditations and trade body memberships to ensure that we are consistently offering the best possible products and services to our customers. We not only manufacture appliances but we also put in huge behind the scenes efforts to ensure that we input to and keep abreast of impending legislation, standards, product performance and environmental requirements. Currently we subscribe and contribute to the following accreditations:

**CE marking** of products is mandatory for all fuels today but C&J have always voluntarily achieved this status long before it became a requirement. We always invest in independent testing and certification for Stoves, Electric and Gas fires of all kinds.

**HETAS approval** is a national solid fuel appliance certification scheme, recognised by Government, to demonstrate that our solid fuel stoves meet the highest level of quality and performance. It includes areas that are not covered by CE marking. C&J also put their service and sales team through HETAS solid fuel installer training so their skills are up to scratch.

**SIA Ecodesign Ready** marking is an independent scheme run by the Stove Industry Alliance to verify and independently demonstrate that wood burning stoves already meet the strict requirements of the 2022 EU Ecodesign Directive for performance and emissions. HETAS administer this on behalf of the SIA.

**HHIC, the Heating and Hot Water Information Council** is a trade body representing the UK gas fire industry. As part of the Energy and Utilities Alliance, within the HHIC we have an input into EU and UK standards committees, communicate with Government departments and keep abreast of serious issues affecting the gas fire industry.

**SIA, the Stove Industry Alliance** is the UK trade body for the solid fuel stove industry. C&J are members of the Executive Committee and currently chair the Technical Committee enabling input into UK and EU standards committees

and lines of communication into Government departments and keeping up to date on a wide range of issues affecting the industry.

**SIA DEFRA exemption** is the mechanism where our wood burning stoves are checked and certified to comply with the Clean Air Act and therefore allowed to be used in smoke control zones throughout the UK. Involving a strict test programme and independent report, this is then thoroughly assessed by DEFRA advisors before being accepted.

**Gas Safe Register** is the mandatory national competent persons scheme to allow work on gas fittings and appliances in customer's homes. Our service and most of the sales team have completed the regular training courses and sit the regular exams to ensure our customers have the best support and service.

**ISO9001** is the internationally recognised standard for Quality Management Systems which in our case includes the activity of product design and development as well as production, sale and support functions. Annual independent audits and certification ensure continued compliance in producing consistent quality products.

**ISO14001** is the internationally recognised standard for Environmental Management Systems. Once again this independently audited and certified system makes sure that we are regularly monitoring and reviewing the impact of the business and its products to ensure we minimise negative impacts and promote best practice.

For expert advice and new product information, follow us on Twitter @cJfires

Please note: Our policy is one of constant development and improvement. Charlton & Jenrick therefore reserves the right to revise the specification and design of its stoves without formal notice. This leaflet is presented as a guide to aid in your decision and does not replace the need for technical assessment by your dealer. While the utmost care is taken in the preparation of this brochure, it is not intended to replace the installation manual which provides more detailed information. Photography is for illustration purposes only and does not replace the need to see the stove in a showroom. We accept no liability for any loss or damage arising either directly or indirectly from the use of this leaflet.

All designs in this brochure are design or copyright registered. Charlton & Jenrick, without exception, will take action against any infringements of its designs.



PUREVISION

Charlton & Jenrick Ltd,  
Unit D, Stafford Park 2, Telford, Shropshire TF3 3AR  
Tel: 0845 519 5991 e-mail: sales@charltonandjenrick.co.uk



[www.charltonandjenrick.co.uk](http://www.charltonandjenrick.co.uk)



[www.facebook.com/cJfires](http://www.facebook.com/cJfires)

**Charlton & Jenrick** LTD

*Best of British fires, fireplaces & stoves*