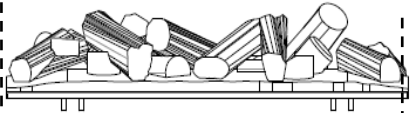


Cassette 500 M

Kit Cassette 500 M
A9320800



Logset A9320600

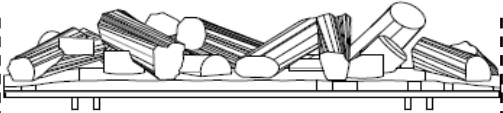
Engine 500 - E1011800

The diagram shows a logset of various sizes of logs and branches arranged on a metal grate. The grate is supported by four legs. The entire assembly is shown within a dashed rectangular frame.

Cassette 500 L

Kit Cassette 500 L
A9320900

725 mm



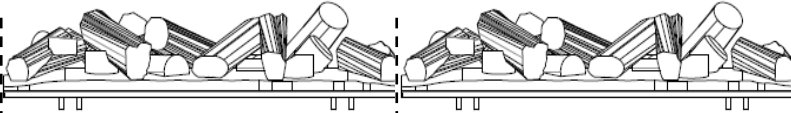
Logset A9320700

Engine 500 - E1011800

The diagram shows a logset similar to the 500 M version, but with a dimension line above it indicating a width of 725 mm. The logset is on a metal grate supported by four legs, enclosed in a dashed rectangular frame.

Cassette 1000

Kit Cassette 1000
A9321000



2 x Logset A9320600

Engine 1000 - E1011900

The diagram shows two logsets of the A9320600 type side-by-side on a metal grate supported by four legs. The entire assembly is shown within a dashed rectangular frame.