

Charlton & Jenrick^{LTD}

Best of British fires, fireplaces & stoves

www.charltonandjenrick.co.uk

Electric Fires.

PRODUCT RANGE 2021



The greatest love begins with a little spark.

IGNITE THE FIRE WITHIN...

Gone are the days when an electric fire was the last option if you could not install a gas or solid fuel appliance. Modern electric fires are now the pinnacle of design and the first choice for the discerning consumer who wants looks, ease of use and the latest in technology.



BUY WITH CONFIDENCE

Charlton & Jenrick have been manufacturing and supplying into the Fireplace independent retail market for over 30 years. You are safe in the knowledge that all our products are CE approved, meet all current EcoDesign regulations and are at the pinnacle of innovation. Being both ISO9001 and ISO14001 compliant, you can rest assured that quality products and environmental impact are top of our agenda when creating these stunning fires.

DEDICATED RETAILER NETWORK

Our expertise is in the innovation, design and manufacture of high tech, high quality beautiful flame products. To ensure you get the best in customer service we work with dedicated local independent retailers that can offer you advice, home visits and support in your local area. You should only find Charlton & Jenrick products available through local independent retailers, which can be found on our website: charltonandjenrick.co.uk/products/store-locator

We do not sell to national/international retailers and those that sell nationwide via telephone or internet sales. We do this because we truly believe you need to view our products and speak to an experienced retailer who sells our products daily and can help with any advice, surveying your site and any after sales service required. To this end it is a condition of our terms & conditions we have with our dedicated retailers that they themselves look after any technical issues that arise in the first instance because they are in the best place to offer quick local support to a product they fully understand and to you their customer.

This is also a reason why we would strongly advise against you buying any fireplace product (either ours or any other brand) from a distant seller who is not available for local survey, installation and trouble shooting should any issues arise.

PRODUCT WARRANTY

Our large format electric fires i.e. the Polaris and i-Range fires come with a two-year parts and labour warranty that can be extended for a further three years if you fill in your warranty registration and return to us within 3 months of purchasing your product. In all cases regarding warranty please refer in the first instance to the retailer where you bought the fire, this is where your contract lies and in the majority of cases they will be able to get you sorted before passing over to us if they cannot.

Our 16" & 22" electric fires come with a 12 month return to base warranty. That means in the unlikely event of an issue if you speak with your retailer, they will arrange to take away your fire and replace it for you.



Scan this to go to our website store-locator...

POLARIS..... 4-13

The next generation in Electric Fires

i-RANGE 14-25

Setting the standards in large format Electric Fires

3D & 4D Ecoflame 16" 26-31

Electric fires with ground breaking features

4D Ecoflame22 16/22" 32-33

Versatile and intelligently designed electric fires

3D Ecoflame Electric Stoves... 34-35

Ultra-realistic flame effect stoves in any home

Dimesions & Specifications 36-43

Find the flame that fits

KEY FEATURES



LIVEFLAME

Realistic flame effect with a choice of three flame colours and five flame speeds.



AMBIENT LIGHT BED

Choose between thirteen options or the automatic setting which cycles through the whole range.



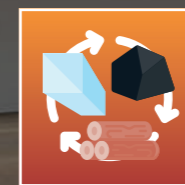
MOOD SETTINGS

Optional LED lighting strips can be installed in the fireplace and furniture surround - up to 6m for Polaris & 4m for iRange.



THERMOCONTROL REMOTE

Easily control all the features of the fire and view the room temperature too.



TAILORED FUEL BED

You have the choice of ice crystals or a range of hand painted ceramic logs to finish off your fire.



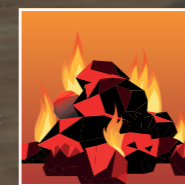
ECO DESIGN COMPLIANT

All our electric fires are compliant with the EcoDesign 2022 standard.



PROGRAMMABLE 7 DAY TIMER

You can pre-set the heating of our electric fires either daily or for seven days.



ACTIVE GLOWING EMBER FUEL BED

Gives you the option of five brightness settings and thirteen colours.



ANTI-REFLECTIVE GLASS

Anti-reflective glass as standard, giving you an uninterrupted view of the fire.

POLARIS Range


Gone are the days when an electric fire was the last option if you could not install a gas or solid fuel appliance. Modern electric fires are now the pinnacle of design and the first choice for the discerning consumer who wants looks, ease of use and the latest in technology.

The Polaris range from Charlton & Jenrick offers stunning ultra-realistic flame-effect fires that boast market-leading features and finishes that represent the next generation of modern living.

Design opportunities are endless, and the fires will become the centre of your living area where you can build them into bookcases, media units and feature walls. The optional mood lighting allows you to power and control up to 6 metres of LED lights that can be incorporated into your designs.



The next generation in ultra-realistic living flame electric fires



KEY FEATURES

- Realistic flame effect with a choice of three flame colours and five flame speeds
- Active Glowing Ember Fuel Bed with five brightness settings and a choice of thirteen different colours and a setting that cycles through all the options
- Supplied with logs as standard. All logs are hand-painted to be extremely realistic and no log is repeated in the set which includes brown logs, moss logs, split logs and bark pieces. The fuel bed also includes realistic embers and bark
- LED technology. (low running cost long life) lighting effect on the fires
- Supports and controls compatible LED mood lights (controlled with appliance remote control). It will support up to six metres of optional LED lighting strips to illuminate your installation feature, fireplace or general surround
- All spare parts can be exchanged through the removal of the glass and the parts are all plug-and-play modules
- The fires are fully compliant with eco design standard
- Anti-reflective window front and sides as standard
- Full functional remote supplied as standard
- 1-2kW Adaptive control (on board energy manager)
- Accurate room temperature control (Electronic thermostat in hand remote)
- Daily and 7-day Programmable Heating
- Supplied with wall bracket and 2 mounting brackets
- Kettle Plug Cable for easy pre-wiring

THERMOCONTROL REMOTE

Take control your new EcoDesign-ready electric fire from the comfort of your sofa.

The innovative, technologically advanced thermostatic remote control helps you easily control your fire and access its many features. The flame effect, fuel bed lighting, mood lights and heater can all be operated individually or in conjunction with one another.

- Remote power on and off
- See time, day and battery power
- Set timer, temperature and heating period
- View actual room temperature
- Scroll through flame and light options
- Adjust flame effect
- Change lighting levels
- Advance heating

CREATING THE MOOD

Create your own bespoke ambience with optional lighting kits.

LED lighting strips are flexible, allowing installation not only in the fireplace but on surrounding furniture as well and can extend up to 6 metres in length.




Scan this to watch POLARIS Electric Fires on YouTube...

840e



Polaris 840e shown in wall with trim



Polaris 840e shown as three-sided arrangement

POLARIS 840e



THE MOST VERSATILE FIRE IN THE RANGE

The proportions of the 840e make it ideal to fit into any living space either in a bespoke feature or as a hang-on-the-wall fire.



POLARIS 840e shown as three-sided arrangement



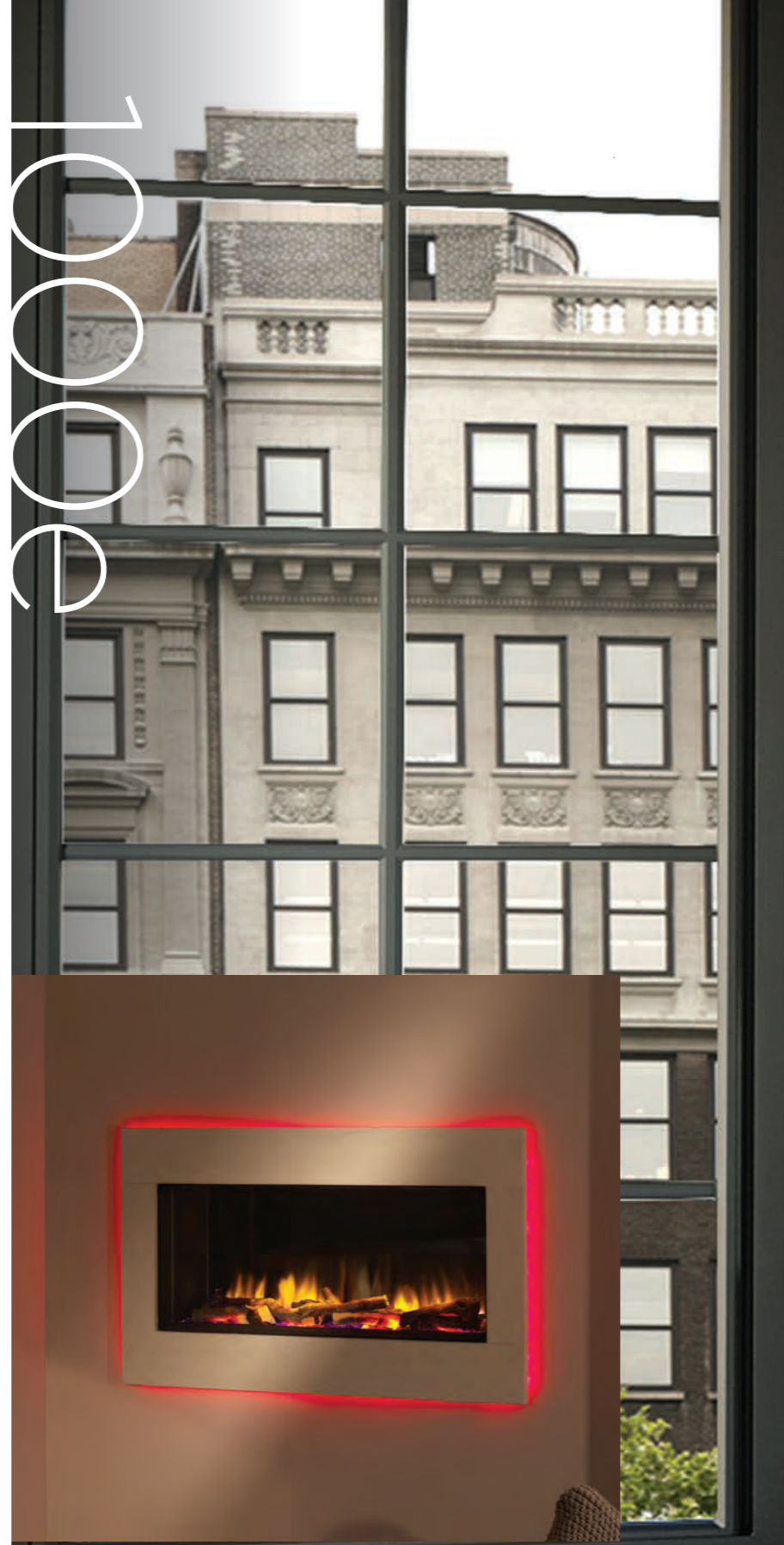


MEDIUM-SIZED LANDSCAPE FIRE WITH ENDLESS POSSIBILITIES

The 1000e is the middle-sized Polaris fire that like the others can be installed in many ways; one sided, two sided or three sided.



POLARIS 1000e shown as a three-sided arrangement built into a feature wall



Polaris 1000e shown as a hole-in-the-wall fire, single-sided arrangement with slips

Polaris 1000e shown as built three-sided into a feature wall





1600e



Polaris 1600e shown as a three-sided arrangement built into a feature wall



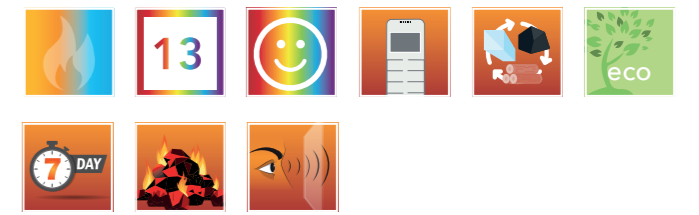
POLARIS 1600e shown as a two-sided arrangement built into a feature wall

THE LARGEST LANDSCAPE FIRE IN THE RANGE

At 1.6 metres wide, this fire is ideal for large feature walls and room dividers. Imagination is the only limit to what can be achieved when installing these fires.



POLARIS 1600e shown as a two-sided arrangement built into a feature wall





A SQUARE AND SHALLOW FIRE THAT IS THE PERFECT PROPORTIONS FOR FITTING INTO A FIREPLACE

The 620e Slimline is a square shallow fire that is designed to fit within the majority of fireplaces on the market. Unlike the other Polaris fires in the range the 620 being only 171mm deep means the fire can be installed in standard fireplaces with the need to only go a little into the wall cavity. It can be set in a deeper fireplace which allows installation onto a flat wall.



POLARIS 620e Slimline shown in Wenlock Suite



620e Slimline



ALL NEW i-RANGE

LIVEFLAME OPTIONS

A beautiful fire with flame effects to match your mood

Relax with the mood enhancing ultra-realistic flame effect with three colour options (warm amber, hot blue and a stunning combination of both colours) each available in four mood settings. The mood settings offer four differing levels of brightness and size of flames.

AMBILIGHT FUEL BED

A palette of thirteen glorious colours

As well as choosing mood matching colours for your fire's natural flame effect, you can set the colour of the ultra-realistic fuel bed too. Choose from a glowing, natural amber or take your pick from any one of twelve other shades to match your mood – all easily set using your remote control. You can even set the colours to gradually shift from one shade to another, cycling through the whole palette to create an ever-changing display.

MOOD SETTING (OPTIONAL)

Create the right mood in your room by lighting the area surrounding your fire

Optional lengths of LED lighting strips are available that plug into your fire and you can run in your fireplace or build into the wall. The lights are controlled from the fire's handset and offer you a palette of thirteen glorious colours that can be set separately to the flame and fuel bed effects (they can also be set to the same colours).

Scan QR code to view the i-Range 4D Ecoflame Electric Fire on YouTube...

TAILORED FUEL BED OPTIONS

Different looks from a choice of fuel beds

Which look will you choose today? Traditional log fire? Ultra cool ice and crystal? The choice is yours. You can even create your own bespoke look by removing the glass front to create a mix of different fuel bed materials to your own design.

ECODESIGN COMPLIANT

Love your fire, love the energy you save

Energy-saving is second nature for our fires. As well as setting thermostatic controls, you can set your fire to turn itself on and off at any time you choose and all our electric fires are built to EU standards, making them Ecodesign compliant. The fire has a seven day timer setting, thermostat control and open window detection.

THERMOCONTROL REMOTE

Simple controls from a single handset

Choose the lighting. Choose the flame effect. Choose to turn on the heat or simply enjoy the display. The full range of features on your fire can be controlled remotely from our slim and elegant handset.

- Remote power on and off
- See time, day and battery power
- Set timer, temperature and heating period
- View actual room temperature
- Scroll through flame and light options
- Adjust flame effect
- Change lighting levels
- Advance heating



4D Ecoflame electric fires with ground breaking features

KEY FEATURES

- Tailored fuel bed options. A range of fuel bed media is supplied including realistic log, burnt embers, ice crystals small and large and glowing embers. All are included with the fire for you to choose the look and feel you want.
- Exciting realistic LiveFlame effect with three colour options each available in four mood settings. The mood settings allow for four differing levels of brightness and size of flames.
- Realistic Ambilight flickering fuel bed with thirteen colour options and in four mood settings. Choose from a glowing, natural amber or take your pick from any one of twelve other shades to match your mood – all easily set using your remote control. You can even set the colours to gradually shift from one shade to another, cycling through the whole palette to create an ever-changing display.
- Mood Setting (Optional) – Create the right mood in your room by lighting the area surrounding your fire, optional lengths of LED lighting strips are available that plug into your fire and you can run in your fireplace or build into the wall. The lights are controlled from the fire's handset and offer you a palette of thirteen glorious colours that can be set separately to the flame and fuel bed effects (they can also be set to the same colours).
- Highly efficient heat control via a 7 day programmable timer and an electric thermostat all incorporated into the stylish remote-control handset.



- EcoDesign compliant built to EU standards that allows you to control your fire and also includes open window detection.
- Two generous heat settings which are chosen automatically by the controls to meet and maintain your chosen room temperature.
- 2kW max heat output 100% efficient at point of use (all iRange models except the i1250e which is 1.5kW maximum).
- Optional wall brackets to be able to hang the fire on the wall and build a fascia or enclosure around it.
- All fires come with a 5 year extended parts warranty (first year parts & labour).

CREATING THE MOOD

Customise your fuel bed.

Each fire comes with logs, large crystals, small crystals and embers so you can create the fire bed of your choice.





i480e

THE MOST COMPACT OF THE i-RANGE

The most compact of the range the i480e, ideally proportioned to fit in the majority of fireplaces available in the UK. Like the other fires in the range it can also be fitted flush into the wall or can use the built in two or three sided aspects provided. The superb realism of the deep 4D flame effect will enhance any living area.



i480e Beckford Suite



i480e Aylesbury Suite





i780e shown in Edgemond surround

THE FLEXIBLE FIREPLACE WITH STUNNING FEATURES

A very popular sized engine that looks stunning in a fireplace as part of a suite, shown on these pages are some of the most popular designs.

Flexible construction techniques allow the fire to be installed within a suite, existing chimney breast or as part of a new fireplace chimney feature.

Three, two or one aspect fire windows can be chosen to suit at the time of installation. Designed to be superbly versatile, imagination need no longer be limited by two dimensions.



i780e shown in Wave surround





OUR EXTREMELY VERSITILE AND IMPRESSIVE LANDSCAPE FIRE

The i890e is a landscape fire that looks equally as impressive set in the wall as it does in a fireplace suite. Extremely versatile in its design concept the i890e has a single, dual or triple aspect choice built in plus a wall mounting capability. Almost every conceivable fireplace design can be achieved using the new Infinity i-Range.



i890e with Elite trim as a hole-in-the-wall fitting with LED lights



i890e shown with side panels removed in Wrockwardine surround with optional LED mood lighting under the ledge



i890e



i890e as a hole-in-the-wall fitting with LED lighting and TV fitted above

*Subject to terms and conditions



i1250e shown one-sided in a feature wall

A DEEPER ADDITION TO THE i-RANGE TO GIVE YOU MORE FUEL BED AND ILLUMINATION

The i1250 is a deeper version of the i-Range ideal to go into feature walls and room dividers. The extra depth has allowed for a new chunkier log set and increased illumination of the fuel bed thanks to a new glowing front log feature that has been added. This fire also features the new bright white flame setting.



i1250e shown two-sided in a dividing wall



i1250e DEEP



*Subject to terms and conditions



i1500e



i1500e with Crystal fuel bed in false chimney breast with tv fitted above and optional mood lighting installed

THE LARGEST FIRE IN THE RANGE

The largest fire in the range and a real show stopper! The i1500e fire makes a real impact in any room and lends itself for many fitting options, ideal as a room divider.

For ultimate in aesthetics and designed to work with large media installations the i1500e encompasses all the versatility of the Infinity e range. Single, dual or triple aspects are built in providing the maximum in living space enhancement..



i1500e with large glass firebed fitted into a Kitchen unit



i1500e with large glass firebed fitted into a Kitchen unit



ECOFLAME™

CONTEMPORARY OR TRADITIONAL?

Suitable for any room, whether traditional or contemporary, incorporating realistic flame effects from 3D Ecoflame™ and 4D Ecoflame™ technology which brings a comforting warmth to any home.

A popular choice for people who prefer electric to gas – their versatility and low watt usage allows them to be fitted anywhere there is an electric supply, making them viable for use in apartments, flats, remote locations, houses without chimneys/flues and where there are no options to use gas.

- Mix and match frets and trims to suit your room
- Suitable for use where gas isn't an option
- Realistic flame effects give your room a warm welcoming feel
- Various fuel bed options available

4D ECOFLAME™ FASCIA LIGHTS

13 colour options, colour morphing and 4 mood settings

All Charlton & Jenrick Elite Fascias now come with the option of patented LED trim lights that are controlled by the fire's remote control.

There is an optional 1 metre length of LED lighting strip that is available and can be fitted into a fireplace or surround and controlled by the fire. There are 13 colour options and a colour morphing setting, each available in 4 mood settings.

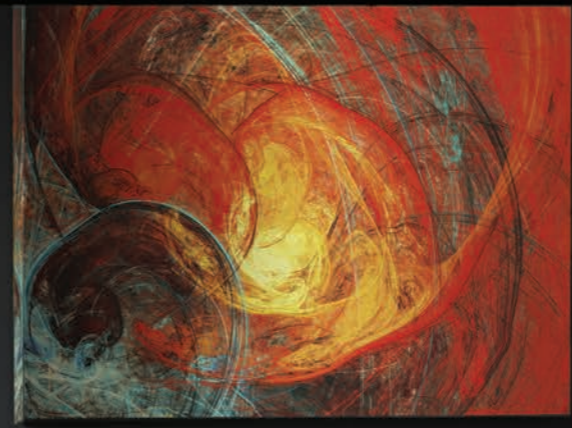
Please note that this optional strip can not be used if the LED lights are being used on the Fascia. It is a choice of either fascia lights or 1 metre length. Remote control handset designs vary according to fire model.



Intelligently designed electric fires with versatility in mind



ECOFLAME™



3D ECOFLAME™ KEY FEATURES

- Included in the box are loose realistic log, glass beads and coal fuel bed - use all three together if you wish!
- Exciting realistic flame effect with 4 mood settings with choice of warm dark orange flame or orange and blue flame.
- Remote control with timer and thermostat built in.
- Realistic active flame images appear from the middle of the fuel bed created by Charlton & Jenrick's superb 3D reflection technology.
- High-level side buttons for easy access.
- Two generous heat settings Low 0.75kW and High 1.5kW.
- Fits most Charlton & Jenrick frets and fascias.



4D ECOFLAME™ KEY FEATURES

- Exciting ultra-realistic flame effect with 3 colour options each available in 4 mood settings. The mood setting offers 4 differing levels of brightness and flame size.
- Realistic flickering fuel bed with 13 colour options and a colour morphing setting, each available in 4 mood settings.
- Multiple fuel bed options including realistic log, coal, ice crystals small and large and glowing embers. All are included with the fire for the user to decide.
- Highly efficient heat control via a 7-day programmable timer and an electric thermostat all incorporated into the stylish remote-control.
- High-level side buttons for easy access and alternative control of flame effect and the fuel bed.
- Two generous heat settings which are chosen automatically by the controls to meet and maintain your chosen room temperature.
- Realistic active flame images appear from the middle of the fuel bed created by C&J's superb 4D reflection technology.
- 1.5kW max heat output (100% efficient at point of use).
- Fits most Charlton & Jenrick Frets and Fascias with many fire and fascia packages available.
- Fits most 16" fireplace openings.
- Fully EU Ecodesign compliant.

3D Ecoflame™

AN EXTENSIVE CHOICE OF FACIAS AND TRIMS

Introducing a range of inset 16" electric fires with ultra-realistic flame effect thanks to the brand-new 3D Ecoflame™ technology from Charlton & Jenrick designed to give the look and feel of a real fire, complementing any living area, but for customers that prefer electric.

See page 43 for full range.



3D Ecoflame™ with Cast Arch fascia in black in Balmoral



3D Ecoflame™ with Elite Trim & Gate Fret Brass in Cotswold Arch

INSET 16" ELECTRIC FIRES WITH 4D ECOFLAME™ TECHNOLOGY

Building on the overwhelming success of the 3D Ecoflame™ electric fire, we are pleased to offer the next generation in electric fires. All models benefit from the ultra-realistic deep reflective fuel and flame effect that has set new standards across the industry. The new range also boasts flickering ember effect fuel bed, 7-day timer, optional trim and fireplace mood lights to name but just a few superb innovations.

See page 43 for full range.



4D Ecoflame™ Beckford Surround Elite Brass Fascia with Coal Fuel Bed Blue



4D Ecoflame™



4D Ecoflame™
Burcombe Surround
Chrome Elite Fascia with
Green Ice Crystal Green
Trim Light.s

4D Ecoflame22 in Beckford surround shown in 16" opening with chrome/black Elite fascia and LED trim lights



4D Ecoflame22

OUR WIDE 22" ELECTRIC FIRE THAT FITS INTO A STANDARD 16" OPENING

Exciting ultra-realistic flame effect with 3 colour options each available in 4 mood settings. The mood settings offer 4 differing levels of brightness and size of flames. The realistic active flame images appear from the middle of the fuel bed created by Charlton & Jenrick's superb 4D reflection technology.

By removing the spacer attached, the fire will fit flush into a wider 22" opening. There are also optional small spacers in with the fire that allow it to stand off the back panel/wall to allow for the optional LED trim lights to be fitted.

The optional LED fascia lights also offer the same 13 colour and 4 mood options as the fuel bed but can be chosen interdependently to either the same or different settings.

Multiple fuel bed options including realistic log, coal, ice crystals and small, large and glowing embers all come as standard - so you are free to choose or change as you desire.



4D Ecoflame22 in Beckford with LED light under header

Small spacers allow the fascia to stand off the back panel/wall to allow for the optional LED trim lights to be fitted



4D Ecoflame22 in Beckford surround shown in 22" opening (spacers) with chrome/chrome Elite fascia and LED trim lights



3D ECOFLAME ELECTRIC STOVES

With today's highly efficient homes it is not always necessary to have a gas or wood burning stove in your room or fitting such an appliance may just not be possible.

If however you want the warmth from the look and feel of a stove in your home but without the need for such high heat outputs then an electric stove is the ideal choice.

The C&J electric stoves come with a choice of doors; curved, square or tracery. The doors are all cast iron and fit on the strong steel body of the stove which are built from 5mm thick laser profiled steel plate.

The stoves have an ultra-realistic flame effect thanks to the 3D Ecoflame™ from Charlton & Jenrick Ltd.

PRODUCT HIGHLIGHTS

- Loose realistic log or coal fuel bed
- Exciting realistic flame effect with 4 mood settings
- Remote control with timer and thermostat built in
- 2 generous heat settings Low 1kW and High 2kW
- Heavy duty steel construction
- Quality solid cast iron door

Electric Stoves



Alcaston Electric Stove shown in Inglenook



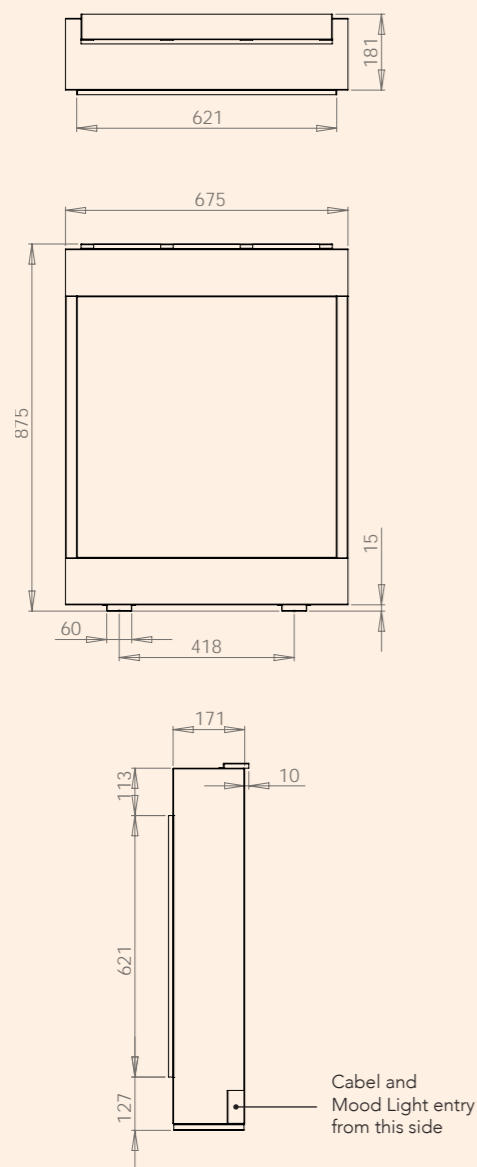
Electric Stove Flame Detail



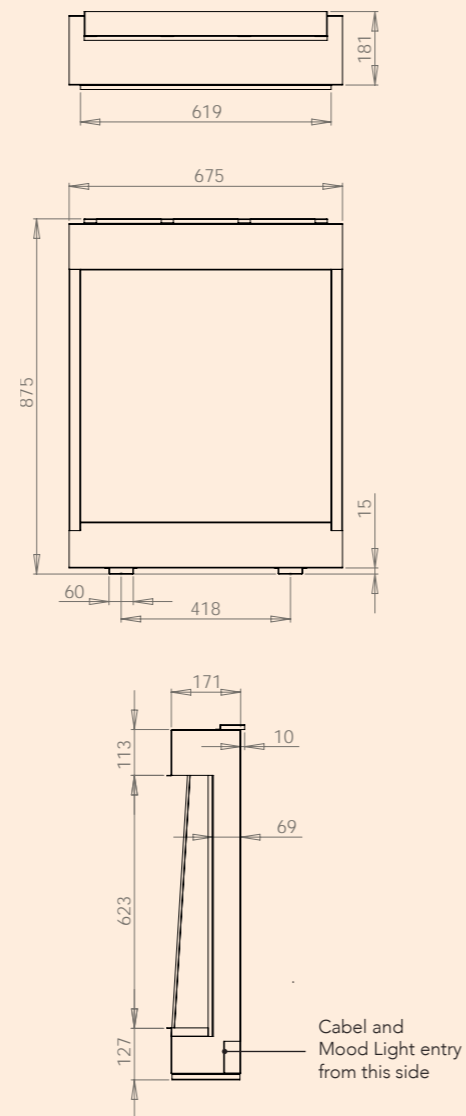
3D Ecoflame™ Curved Door Electric Stove on Log Store



POLARIS 620e Slimline single sided arrangement



POLARIS 620e Slimline three sided arrangement

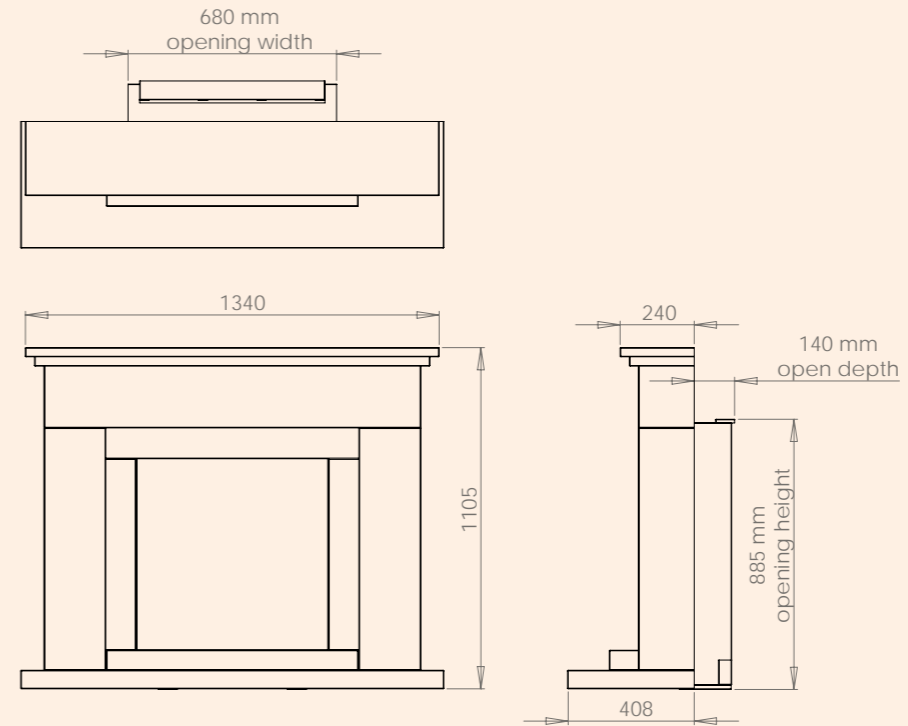


PRODUCT WARRANTY

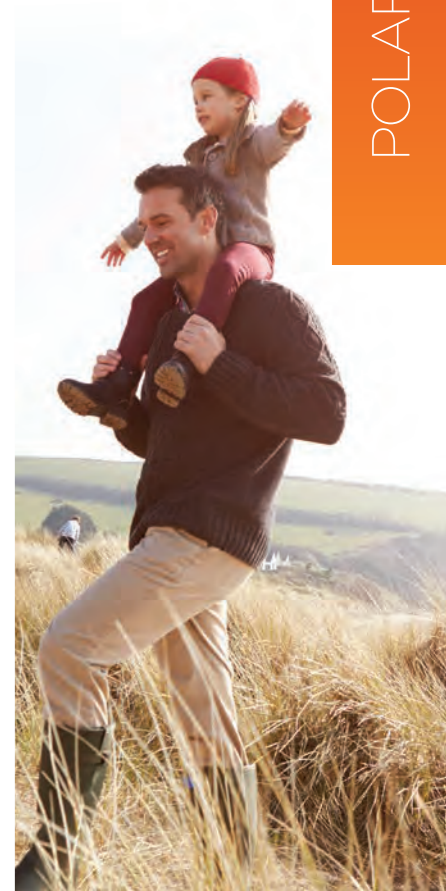
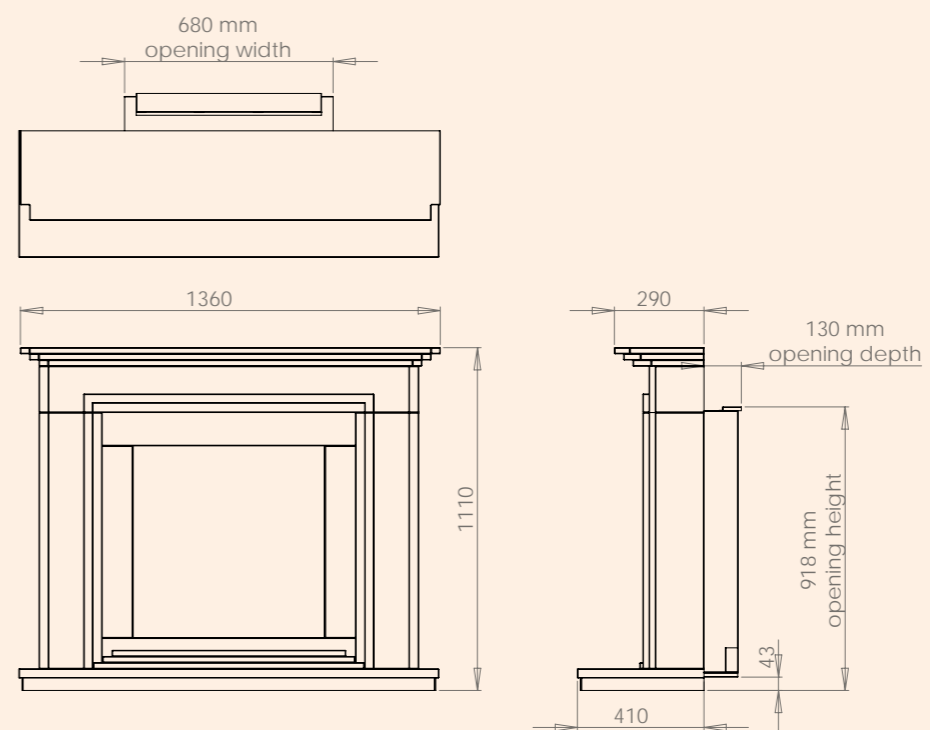
Our large format electric fires i.e. the Polaris and i-Range fires come with a two-year parts and labour warranty that can be extended for a further three years if you fill in your warranty registration and return to us within 3 months of purchasing your product. In all cases regarding warranty please refer in the first instance to the retailer where you bought the fire, this is where your contract lies and in the majority of cases they will be able to get you sorted before passing over to us if they cannot.

Our 16" & 22" electric fires come with a 12 month return to base warranty. That means in the unlikely event of an issue if you speak with your retailer, they will arrange to take away your fire and replace it for you.

POLARIS 620e Slimline in Wenlock Suite



POLARIS 620e Slimline in Wenlock Suite



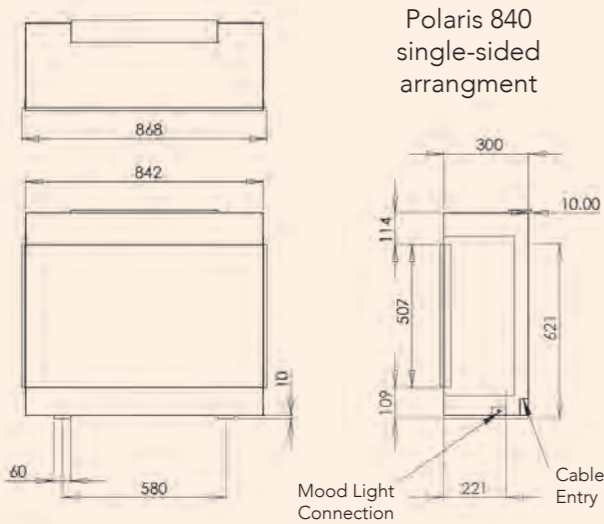
Please note: Our policy is one of constant development and improvement. We therefore reserve the right to revise the specification and design of our fires without formal notice.

This is presented as a guide to aid in your decision and does not replace the need for technical assessment by your dealer. While the utmost care was taken in the preparation of this brochure, it is not intended to replace the installation manual which provides more detailed information.

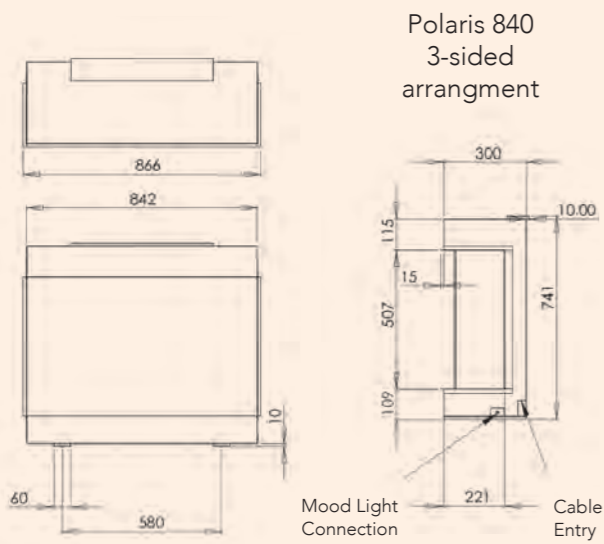
Photography is for illustration purposes only and does not replace the need to see the fires in a showroom.

We accept no liability for any loss or damage arising either directly or indirectly from the use of this brochure. All designs in this brochure are design or copyright registered. Charlton & Jenrick, without exception, will take action against any infringements of its designs.

POLARIS 840e



Polaris 840 single-sided arrangement



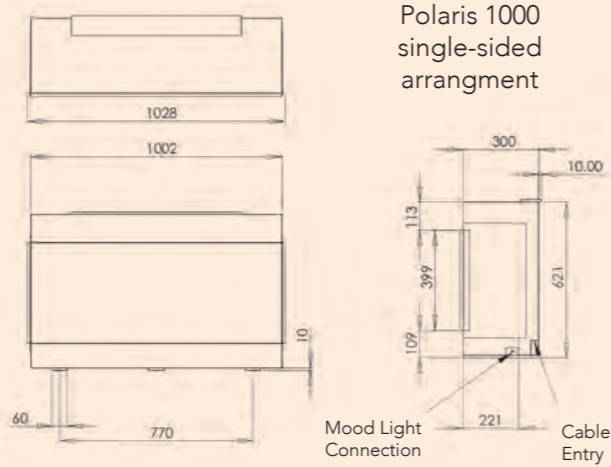
Polaris 840 3-sided arrangement



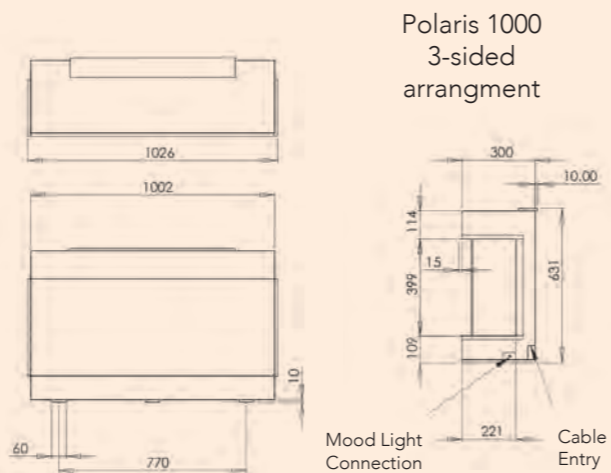
Scan this for instruction videos on YouTube...



POLARIS 1000e

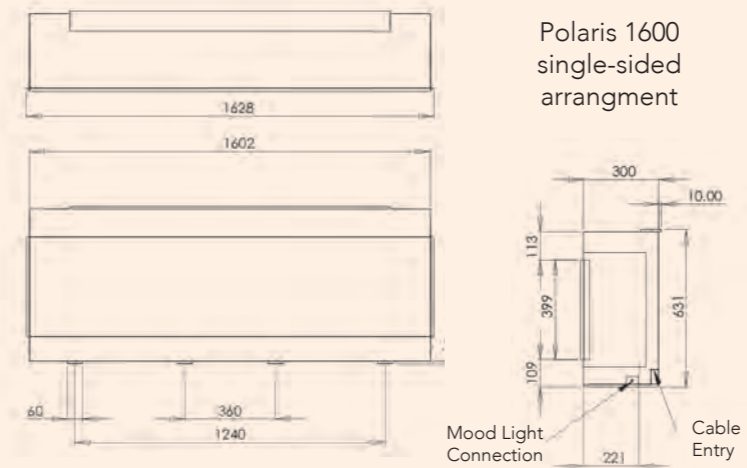


Polaris 1000 single-sided arrangement

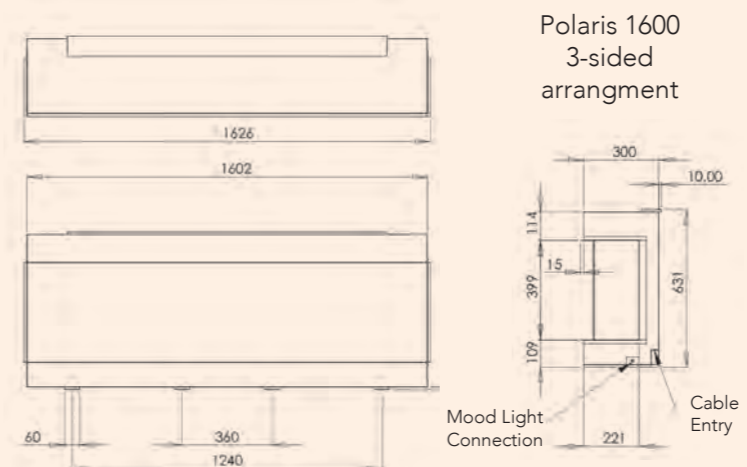


Polaris 1000 3-sided arrangement

POLARIS 1600e



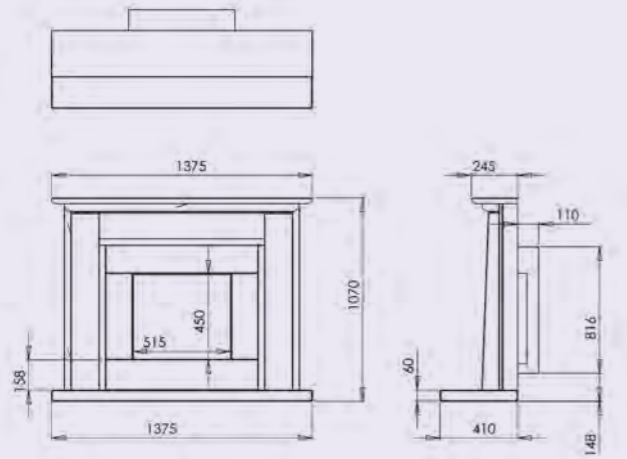
Polaris 1600 single-sided arrangement



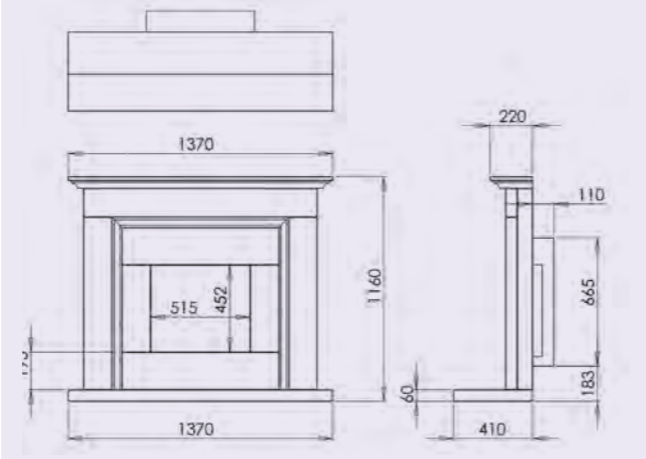
Polaris 1600 3-sided arrangement



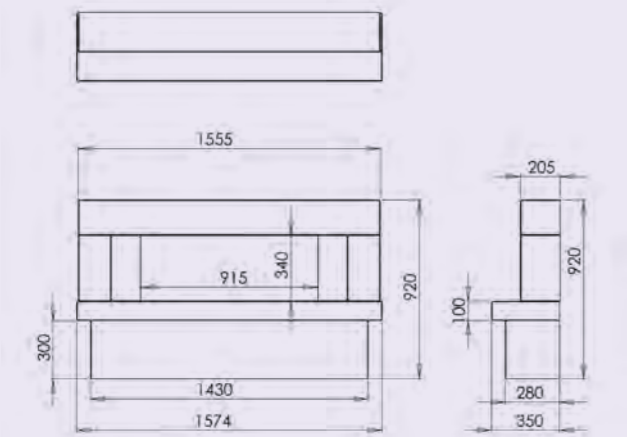
i480e in Stokesay suite



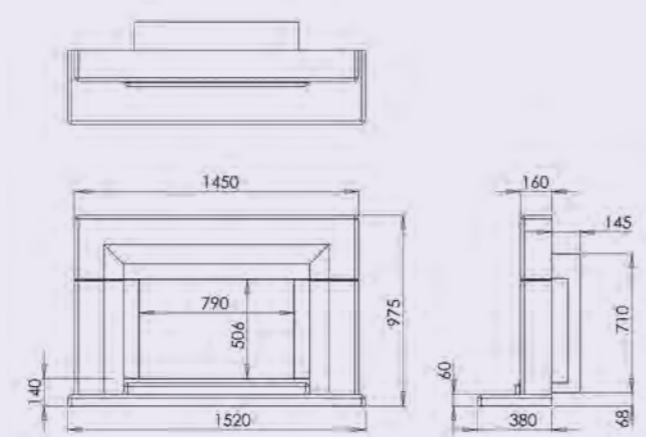
i480e in Aylesbury suite



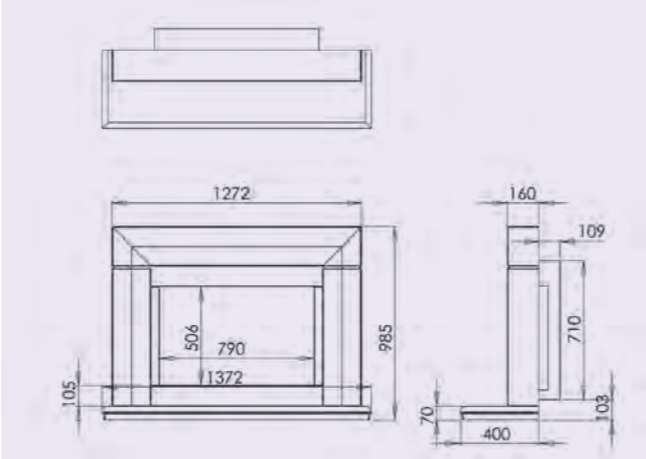
i780e in Wave suite



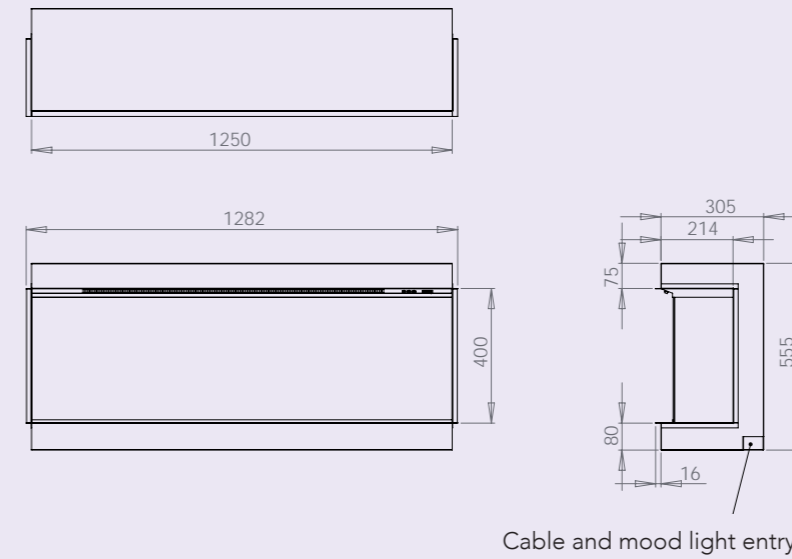
i780e in Edgemoor suite



i890e in Wrockwardine suite



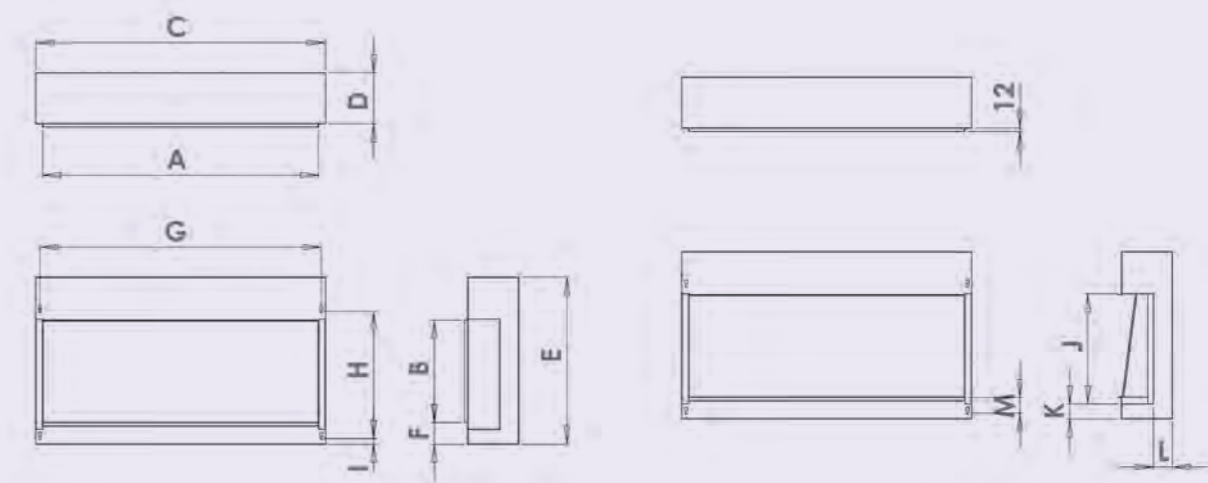
i1250e Deep three sided arrangement



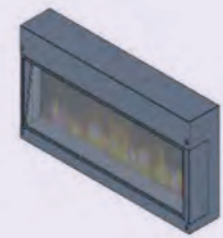
i-RANGE



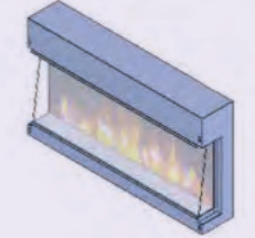
Scan the QR code to view the i-Range 4D Ecoflame Electric Fire on YouTube...



Shown as supplied for front opening arrangement with side panels in position either or both side panels can be removed to give a 2 sided or 3 sided arrangement



Shown with both side panels removed to give greater design opportunities of installation



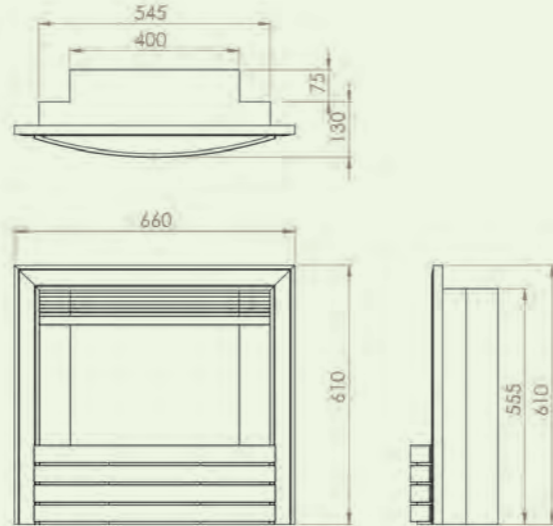
| MODEL | A | B | C | D | E | F | G | H | I | J | K | L | M |
|---------|------|-----|------|-----|-----|----|------|-----|----|-----|----|----|----|
| 480 4D | 513 | 452 | 562 | 170 | 668 | 72 | 538 | 530 | 20 | 473 | 50 | 62 | 53 |
| 780 4D | 790 | 506 | 840 | 170 | 722 | 70 | 815 | 585 | 20 | 528 | 50 | 62 | 53 |
| 890 4D | 918 | 342 | 965 | 170 | 557 | 70 | 946 | 422 | 20 | 365 | 50 | 62 | 53 |
| 1500 4D | 1502 | 352 | 1555 | 170 | 557 | 72 | 1528 | 422 | 20 | 365 | 50 | 62 | 53 |

All dimensions in mm * when using a wall bracket add 8mm to appliance depth d = 178mm



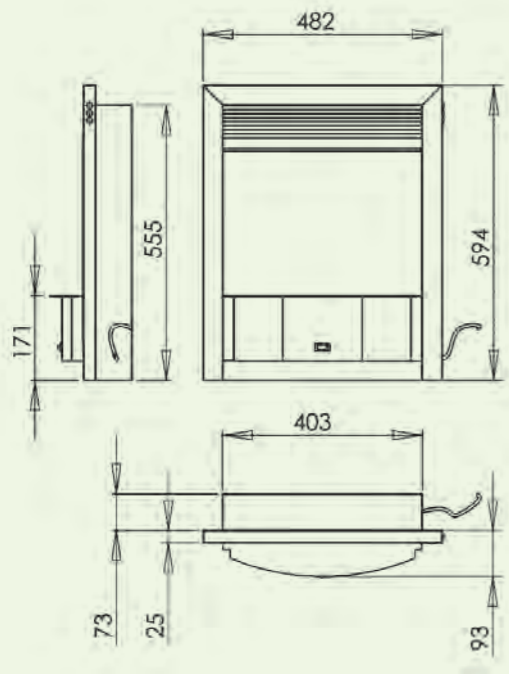
4D Ecoflame22

Without spacer



3D & 4D Ecoflame™

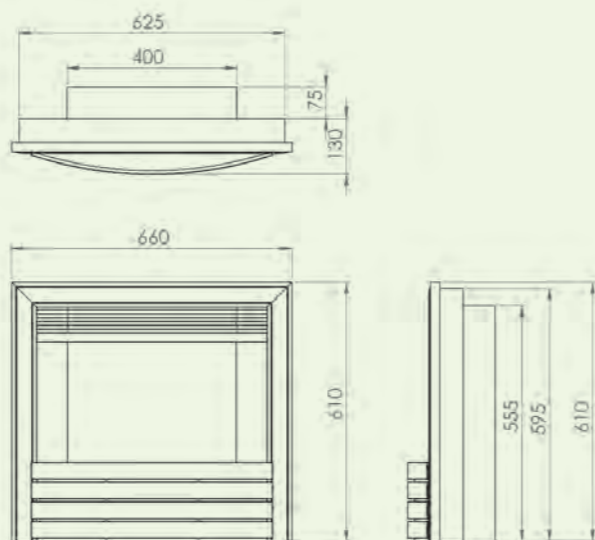
Ultra-realistic flame effect



NOTE: Additional standoff spacers are provided for use when TRIM LIGHTS are required.

4D Ecoflame22

With spacer, can be fitted into a 16" opening



3D & 4D ECOFLAME™ TRIM & FASCIA OPTIONS

Balmoral surround



Cast Arch Fascia in Gunmetal

Cotswold Arch surround



Trim & Gate Fret in Brass

Katia surround



Elite Fascia in Chrome



Trim & Gate Fret in Chrome



Square Cast Fascia in Pewter



Trim & Gate Fret in Brass



Elite Fascia in Brass



Cast Arch Fascia in Chrome



Square Cast Fascia in Gunmetal

NOTE: LED lights are only available around the Elite fascia's and for the 4D Ecoflame™ models only.



Cast Arch Fascia in Black



Elite Fascia in Chrome

Stokesay surround

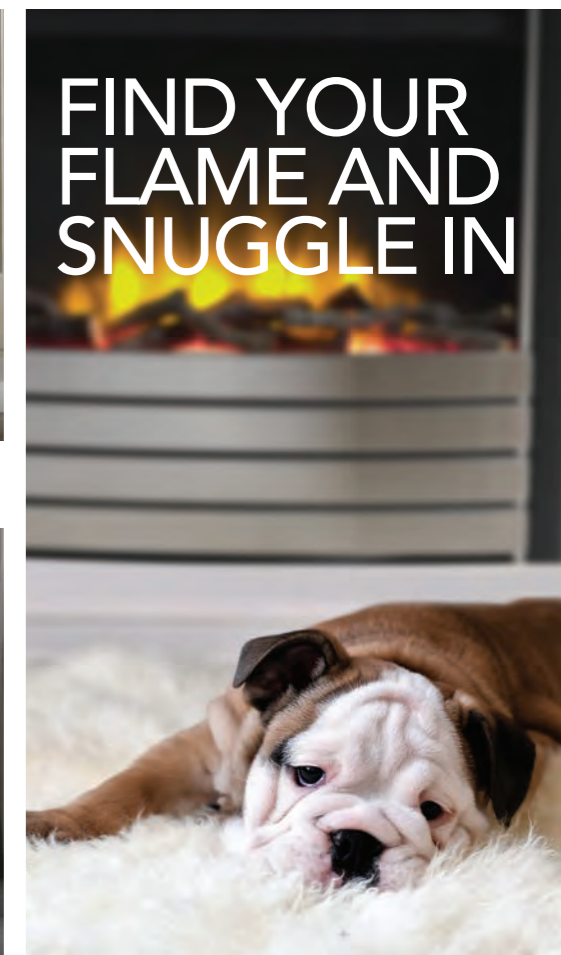


Elite Fascia in All Chrome

Beckford surround



Elite Fascia in Brass





Charlton & Jenrick^{LTD}

Best of British fires, fireplaces & stoves



01952 200 444

marketing@charltonandjenrick.co.uk

www.charltonandjenrick.co.uk

